

TUNTURI®

From the **Heart**

RUN 1.0

OWNER'S MANUAL	2 - 9
BETRIEBSANLEITUNG	10 - 17
MODE D'EMPLOI	18 - 26
HANDLEIDING	27 - 34
MANUALE D'USO	35 - 42
MANUAL DEL USUARIO	43 - 50
BRUKSANVISNING	51 - 58
KÄYTTÖOHJE	59 - 65

Serial number
Seriennummer
Numero de serie
Seriennummer
Numero di serie
Nòmero de serie
Seriennummer
Sarjanumero



WWW.TUNTURI.COM

O W N E R ' S M A N U A L

CONTENTS

ASSEMBLY	2
CONSOLE	4
BASIS ON EXERCISING	5
OPERATOIN	6
MAINTENANCE	6
MOVING AND STORAGE	8
TECHNICAL DATA	9

WELCOME TO THE WORLD OF TUNTURI EXERCISING!

Your choice shows that you really want to invest in your well-being and condition; it also shows you really value high quality and style. With Tunturi Fitness Equipment, you've chosen a high-quality, safe and motivating product as your training partner. Whatever your goal in training, we are certain this is the training equipment to get you there. You'll find information about using your exercise equipment and what makes for efficient training at Tunturi's website at WWW.TUNTURI.COM.

IMPORTANT SAFETY INSTRUCTIONS

This Owner's Manual is an essential part of your training equipment: reading all instructions in this manual before you start using this appliance. The following precautions must always be followed:

! WARNING

- Never use extension cords between the treadmill and your wall outlet. The device's maximum power consumption is 10 A. Outlets with fluctuating voltage of more than 10 % may result in erratic performance or cause damage to treadmill electronics. Using electrical power other than that, which has been specified in this manual will ultimately void any warranty, implied or otherwise.

! WARNING: To reduce any risk to persons:

- Keep hands clear of any moving parts. Never place hands, feet or any other objects into any opening or under the treadmill.
- Never leave the treadmill unattended when plugged in. Unplug from outlet when not in use, before putting on or taking off parts. To disconnect, turn all controls to the off position, then remove plug from outlet.
- Close supervision is necessary when the treadmill used by, on, or near children, invalids, or disabled persons.
- Use the treadmill only for its intended use as described in this manual. Do not use attachments not recommended by Tunturi.
- Before you start using the treadmill, make sure that it functions correctly in every way. Do not use a faulty device.
- Keep the cord away from heated surfaces.
- Run 1.0 must not be used outdoors. Run 1.0 tolerates an environment measuring +10°C to +35°C. Air humidity must never exceed 80 %.

- Do not attempt any servicing or adjustment other than those described in this manual. The given instructions must be followed carefully.
- Never operate this treadmill if it has a damaged cord or plug, if it has been dropped or damaged, or dropped into water. Return the treadmill to a service center for repair.
- Never operate the appliance with the air opening blocked. Keep the air openings free of lint, hair, and the like.
- Do not operate where aerosol (spray) products are being used or where oxygen is being administered.
- The device must not be used by persons weighing over 135 kg (298 lbs).

SAVE THESE INSTRUCTIONS!

ASSEMBLY

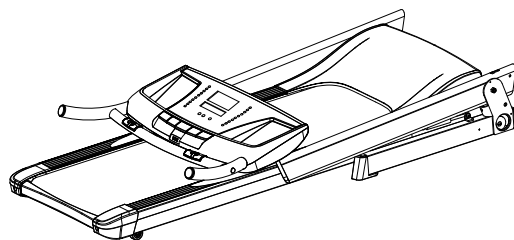
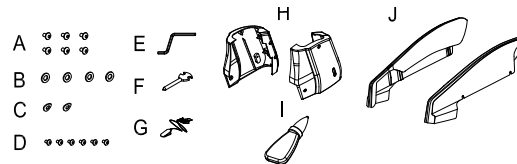
As for the assembly of the device, we recommend two grown-up persons. Do not take the treadmill out of the box: use the packing material to cover the floor on the assembly site.

Before assembling the device, insure all parts are present:

1. Frame
2. Power cord
3. Assembly kit (contents are marked with an * in the spare part list): keep the assembly tools, as you may need them e.g. for adjusting the equipment.

In case of problems contact your Tunturi dealer. The directions left, right, front and back are defined as seen from the exercising position. To avoid injury, you must fold up the deck prior to lifting the treadmill out of the box.

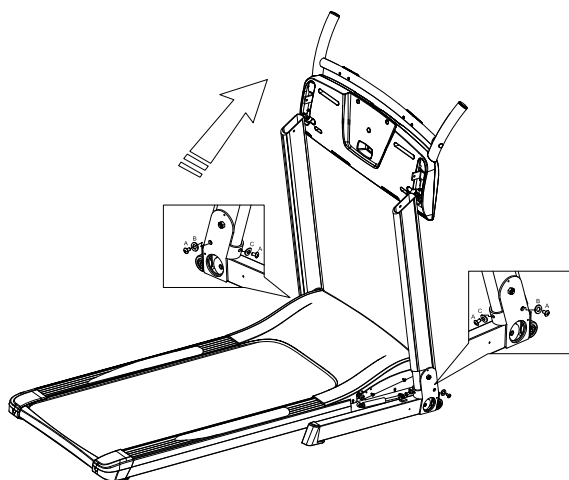
Locate the hardware bag and parts that are listed in the chart below.



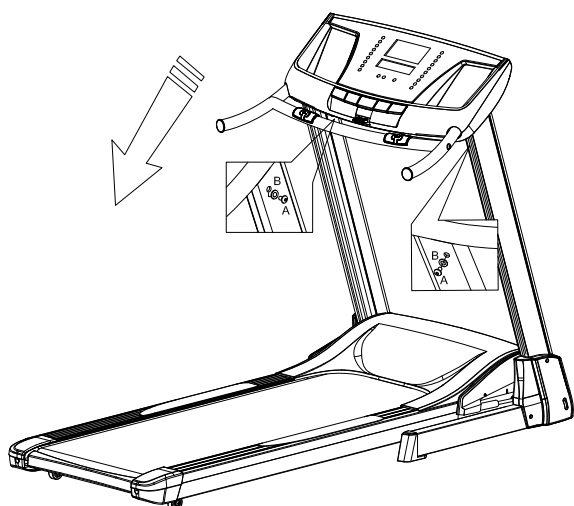
Part#	Description	QTY
A	Screw M8x20L	6
B	Washer Ø8xØ18	2
C	Washer Ø10xØ25	4
D	Screw M4x6L	6
E	Allen Key	1
F	Screwdriver	1
G	Safety Key	1
H	Side Cap	2
I	Lube	1
J	Incline Bracket Cover	2



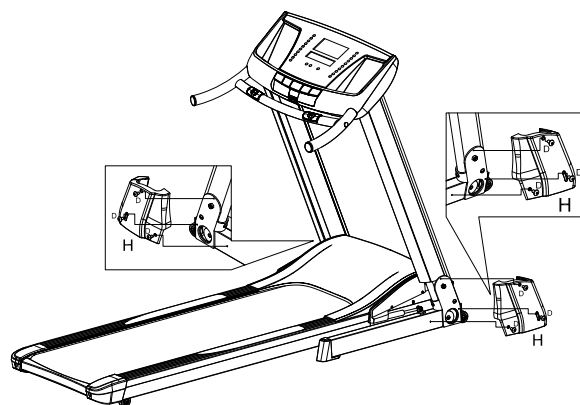
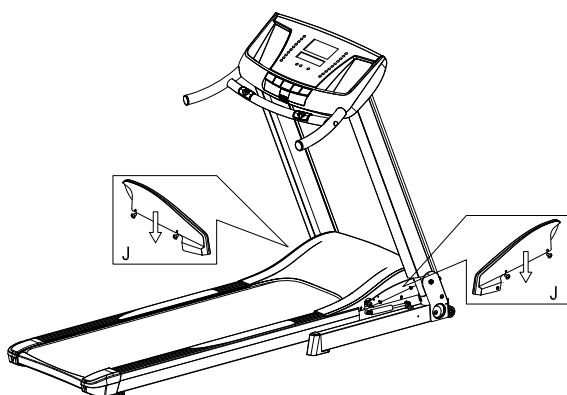
Lift up the upright, then place the screws (A) and washers (B, C) inside holes at the bottom of the upright. Use the screwdriver (F) to tighten them well.



Put the console to the correct position. Use the allen key (E) to tighten the screws (A) and washers (B) inside holes at the top of the upright.



Attach side cap (H) with the screws (D) at the bottom of the upright, and tighten them well.



POWER CORD AND GROUNDING INSTRUCTIONS

Plug the socket end of the power cord into the treadmill at the left front corner. Before connecting the device to a power source, make sure that local voltage matches that indicated on the type plate. The treadmill operates at 110 V or 230 V.

This treadmill must be grounded. If it should malfunction or breakdown, grounding provides a path of least resistance for electrical current to reduce the risk of electrical shock. This product is equipped with a cord having an equipmentgrounded conductor and a grounding plug.

The plug must be plugged into an appropriate outlet that is properly installed and grounded in accordance with all local codes and ordinances. Do not use extension cables when connecting the equipment to the power source.

! DANGER! Improper connection of the equipmentgrounding conductor can result in a risk of electric shock. Check with a qualified electrician or serviceman, if you are in doubt as to whether the product is properly grounded. Do not modify the plug provided with the product - if it will not fit the outlet, have a proper outlet installed by a qualified electrician.

SAFETY TETHER KEY

The treadmill cannot be used if the tether key is not properly installed on the console; if the key is removed from its place, the treadmill will immediately stop. Place the safety tether key in its place on the console. Ensure that the clip of the safety tether key is properly attached to your clothing; as the cord tightens, make sure the clip does not detach itself from your clothing before the safety tether key disconnects from the console.

CONSOLE



KEY FUNCTIONS

Major Function Keys:

- 1. INCLINE +:** Increases the elevation level in the range from 0% to 12% shown in the INCLINE / ELEVATION Display. Pressing once increases 1 % and to speed up the decrement by pressing and holding it for 2 seconds.
- 2. INCLINE --:** Decreases the elevation level in the range from 0% to 12% shown in the HEART RATE/ ELEVATION Display. Pressing once increases 1 % and to speed up the decrement by pressing and holding it for 2 seconds.
- 3. POWER:** Press this button to turn on or turn off the power.
- 4. START/STOP:** Starts or stops the program.
- 5. SELECT:** Switches from one to one another programs in an order of the 12 programs. The order is p1, p2, p3, p4, ... USER SETTING 1, and USER SETTING 2.
- 6. ENTER:** Press this button to confirm your desired program or setting value. .
- 7. SPEED +:** Increases the speed level in the range from 0.8 to 20.0 KPH (0.5 to 12,5 MPH) shown in the SPEED Display. Pressing once increases 0.2 KPH (0.1 MPH) and to speed up the increment by pressing and holding it for 2 seconds.
- 8. SPEED --:** Decreases the speed level in the range from 0.8 to 20.0 KPH (0.5 to 12,5 MPH) shown in the SPEED Display. Pressing once decreases 0.2 KPH (0.1 MPH) and to speed up the decrement by pressing and holding it for 2 seconds.

Speed Hot Keys:

6 Speed Hot Keys are set as 4, 6, 8, 10 and 12 KPH or set as 2, 4, 6, 8, 10 MPH. For example, the speed changes from any speed to 8 KPH by pressing the Speed Hot Key 8.

Elevation Hot Keys:

6 Incline Hot Keys are set as 2, 4, 6, 8 and 10% For example, the elevation level changes from any level to 4% by pressing the Elevation Hot Key 4.

DISPLAYS AND OPERATING RANGES

A. TIME DISPLAY: Shows the exercising time with counting up or down. While the treadmill is not running and the SAFETY KEY is on, it can be chosen by pressing "ENTER" then adjusted by pressing "+" or "-". The range of counting up is from 00:00 to 99:59 and 10:00 to 99:00 with counting down. While counting down to 00:00, the monitor will beep 12 times then the treadmill will stop.

B. SPEED DISPLAY: Shows the speed that the treadmill is providing. It can be adjusted by pressing "SPEED+" and "SPEED-" keys from 0.5 to 12,5MPH or 0.8 to 20 KPH.

C. DISTANCE DISPLAY: Shows the distance with counting up or down while treadmill is not running and SAFETY KEY

is on, it can be chosen by pressing "ENTER" then adjusted by pressing SPEED +/- or ELEVATION +/- .The range of counting up is from 0.00 to 999KPH/MPH and 999 to 0.00 with counting down. While counting down to 0.00, the monitor will beep 12 times then the treadmill will stop.

D. CAL DISPLAY: Shows the kcal with counting up or down while treadmill is not running and SAFETY KEY is on, it can be chosen by pressing "ENTER" then adjusted by pressing SPEED +/- or ELEVATION +/- .The range of counting up is from 0.00 to 999 KCAL and 999 to 0.00 with counting down. While counting down to 0.00, the monitor will beep 12 times then the treadmill will stop.

E. HEART RATE /ELEVATION DISPLAY: The default value shown is the pulse rate and the HEART RATE Indicator is on. It switches to the value of elevation % while adjusting and the ELEVATION Indicator is on.

OPERATION INSTRUCTIONS

(Please Read Carefully before Using)

A. SAFETY TIPS:

To start, turn on the power and attach the Safety Key to the monitor. Notice that the machine does not work and off the LED display without the Safety Key attached. Please clip the other end of the Safety Key to the user before exercising to ensure the machine will stop in case the user accidentally runs off the treadmill. Should that happen, the Safety Key will be off the monitor and the treadmill will stop at once to avoid further injury.

B. PROGRAMS SELECTION:

There are 17 programs including 15 preset programs, and 2 User Setting programs to choose from by pressing the "SELECT" key.

C. PROGRAM GRAPH:

The graphs in the PROGRAM Display are the speed profile but incline also will change during the exercise. There are total 10 columns in the display. Without the value of TIME set, each program will last 20 minutes that is 2 minute of each column's interval. With the value of time set, each interval varies.

D. EXERCISING WITH A SPECIFIC GOAL:

In any programs, user may change the values of TIME before exercising. Press "ENTER" key to select each of them, and "SPEED + & SPEED -" to change the value. Without changing any of the values and all are 0; users can run as long as possible until it is turned off. Users may also put the desire TIME value to count down. For example, TIME is set to 10 minutes, and then the treadmill will stop after 10 minutes.

E. HEART RATE:

There are two ways to measure your heart rate. One is using the hand-pulse sensor. Another is using chest belt. The handgrip sensors in the handrails take a pulse measurement when the user is touching both sensors simultaneously. Reliable pulse measurement requires that the skin is constantly touching the sensors and that the skin is slightly moist. Skin which is too dry or moist will interfere with the pulse measurement. Please also note that heavy pounding of feet on the running belt during exercise can cause interference that may affect the accuracy of the handgrip pulse measurement. To ensure safe operation, we recommend that you use pulse measurement only



when training at a walking pace or standing on the landing rails located on each side of the running belt, or when the treadmill has come to a stop.

BASICS ON EXERCISING

ABOUT YOUR HEALTH

- Before you start any training, consult a physician to check your state of health.
- If you experience nausea, dizziness or other abnormal symptoms while exercising, stop your workout at once and consult a physician.
- To avoid muscular pain and strain, begin and end each workout by stretching.

ABOUT THE EXERCISE ENVIRONMENT

- Make sure the exercise environment has adequate ventilation. To avoid catching cold, do not exercise in a draughty place.
- Place the treadmill on a firm, level surface. Allow 120 cm or 4 feet of clearance behind the treadmill and 60 cm or 2 feet on either side and in front of the treadmill.
- We recommend that the equipment is placed on a protective base.

ABOUT USING THE EQUIPMENT

- Always unplug the treadmill from the electrical outlet after each training session.
- Only one person may use the equipment at a time.
- Keep hands clear of any moving parts. Never place hands, feet or any other objects under the treadmill.
- Wear appropriate clothing and shoes when exercising. Make sure your shoelaces are properly tied. To avoid injury and unnecessary wear on your treadmill, be sure your shoes are free of any debris such as gravel and small pebbles.

BEGINNING AN EXERCISE SESSION

- To avoid muscular pain and strain, begin and end each workout by stretching.
- Stand on the landing rails to the left and right of the running belt. Do not stand on the running belt.
- Always hold the handrail for support when getting on or off the treadmill and when changing the speed during exercise. Do not jump off the running belt while it is moving!
- If you experience nausea, dizziness or other abnormal symptoms while exercising, stop your workout at once and consult a physician.

FINISHING AN EXERCISE SESSION

- Never leave the safety tether key in the treadmill.
- Use the main power switch to turn the unit off.
- Unplug the electrical cord from the wall outlet and from the treadmill.
- If necessary clean the treadmill from sweat with a damp cloth. Do not use solvents.
- Store the electrical cord where it is clear from all pathways and out of childrens' reach.

HOW TO MOTIVATE YOURSELF TO CONTINUE

In order to reach the goals you have set, you'll need to keep finding the motivation to continue so you achieve your ultimate goal: life-long health and a new quality of living.

- Set yourself realistic targets.
- Progress step-by-step according to your schedule.
- Keep a fitness diary and write down your progress.
- Change your way of exercising from time to time.
- Use your imagination.
- Learn self-discipline.

One important aspect of your training is versatility. Varying your training exercises different muscle groups and helps maintain motivation.

HEART RATE

No matter what your goal, you'll get the best results by training at the right level of effort, and the best measure is your own heart rate. First find your maximum heart rate i.e. where the rate doesn't increase with added effort. If you don't know your maximum heart rate, please use the following formula as a guide:

220 - AGE

The maximum varies from person to person. The maximum heart rate diminishes on average by one point per year. If you belong to one of the risk groups mentioned earlier, ask a doctor to measure your maximum heart rate for you. We have defined three different heart-rate zones to help you with targeted training.

BEGINNER: 50-60 % of maximum heart rate

Also suitable for weight-watchers, convalescents and those who haven't exercised for a long time. Three sessions a week of at least a half-hour each is recommended. Regular exercise considerably improves beginners' respiratory and circulatory performance and you will quickly feel your improvement.

TRAINER: 60-70 % of maximum heart rate

Perfect for improving and maintaining fitness. Even reasonable effort develops the heart and lungs effectively, training for a minimum of 30 minutes at least three times a week. To improve your condition still further, increase either frequency or effort, but not both at the same time!

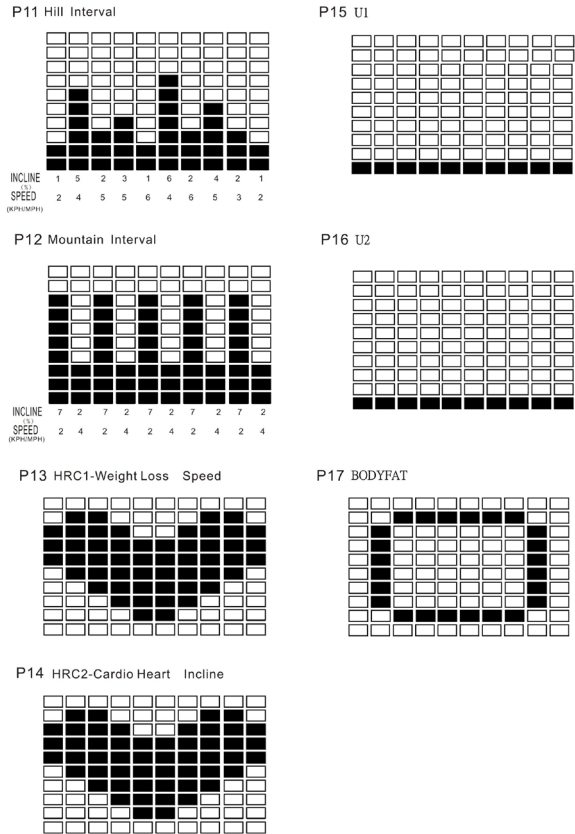
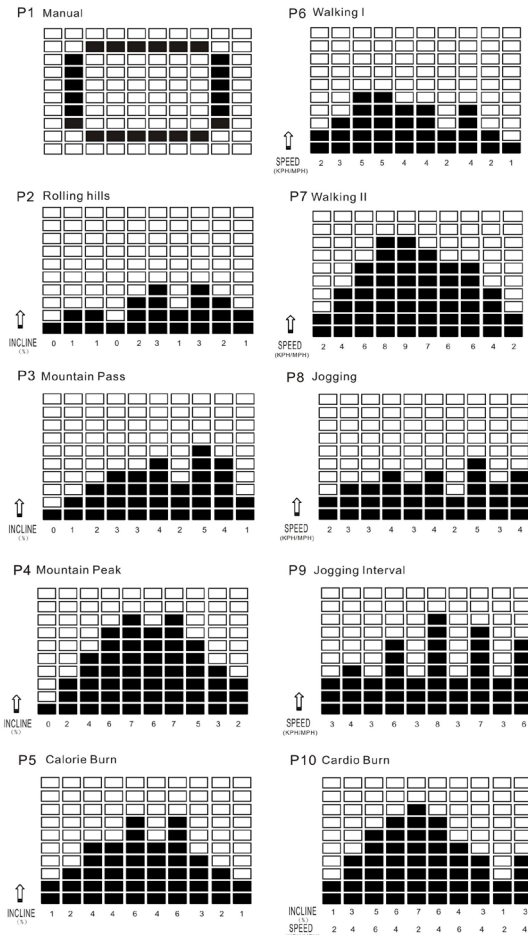
ACTIVE TRAINER: 70-80 % of maximum heart rate

Exercise at this level suits only the fittest and presupposes long-endurance workouts.

OPERATION

1. Insert the Safety key.
2. Press the power button. The monitor will turn on. The program window will display ENTER WEIGHT. Press the SPEED +/- or INCLINE +/- buttons to input your weight.
3. Press ENTER to confirm your setting value. The program window will display SELECT PROGRAM OR PRESS START.
4. Press SELECT button to select the desired program P1-P17 or U1-U2 with the SPEED +/- or INCLINE +/- buttons.

PROGRAMS 1 – 17



Editing the profile levels

1. In the program window, the first column of LED matrix will flash. Press SPEED + / - to set up desired speed value and press incline + / - to set up desired incline level.
2. Press the enter button to confirm your profile setting for first column.
3. Continue to finish all of the profile setting column by column.

MAINTENANCE

The equipment is safe to use only when periodically maintained and inspected for faults and wear.

CAUTION! Do not attempt any servicing or adjustment other than those described in this manual. Any other servicing must be performed by an authorized service representative. Check the tightness of all fixing screws once a year. Do not overtighten.

CLEANING AND LUBRICATING THE TREADMILL

Failure to lubricate your treadmill may invalidate the product's warranty!

Wipe the treadmill surfaces, especially the handlebars and console from dust with a damp cloth or towel. Do not use solvents. Use a small vacuum nozzle to carefully vacuum around all visible components (belt, running deck, side rails etc.). Also keep the area near the treadmill clean. While in use, the treadmill gathers dust that may cause problems in the operation of the equipment. In average domestic use (a maximum of 60 minutes a day), you should check the lubrication once a month – however, lubricate the belt only if needed. In more



demanding use, the lubrication needs be checked at shorter intervals. This is best done before you begin a training session. Check the lubrication as follows:

1. Ensure the treadmill is powered off! Step on the treadmill belt and stand steadily where you normally run on the belt.
2. Take hold of the horizontal handlebar and push the belt with your feet so that it slides back and forth. The belt should move softly and evenly, without a sound.
3. If you notice jerky movement or if the belt will not slide check for lubrication by sliding your hand under the belt.

Lubricate the running deck according to the following instructions:

1. Attach the nozzle of the lubrication tube to the T-Lube S container.
2. Lift the running deck and lock it.
3. Position the nozzle between the belt and the board. Try to reach the spray as far into the center of the running deck as possible.
4. Spray the lubricant for 2-3 seconds.
5. Lower the running deck into its normal position. Use treadmill for your training session. Or allow the treadmill to run for at least 5 minutes.

NOTE! Lubricate your treadmill only with T-Lube S silicon lubricant. Contact your local Tunturi distributor for further supplies of T-Lube or further information on lubrication and maintenance.

ALIGNING THE RUNNING BELT

Monitor belt tracking during exercise and make adjustments as needed. The belt should run in the center of the treadmill. Alignment is not usually needed, provided

- the treadmill is placed on an even, solid and horizontal surface and the belt is correctly tensioned
- the alignment of the belt is correct It is, however, possible for the belt to be pushed to one side due to the user's running style (e.g. more weight on one foot). The alignment of the belt is adjusted by turning the two bolts at the back of the treadmill.

ALIGN THE BELT ACCORDING TO THE FOLLOWING INSTRUCTIONS:

1. Turn the power switch on and increase the treadmill's speed to 5 km/h (3 mph).
2. If the belt drifts to the left, turn the left adjustment bolt 1/4 turn clockwise and the right adjustment bolt 1/8 turn anti-clockwise. If the belt drifts to the right, turn the right adjustment bolt 1/4 turn clockwise and the left adjustment bolt 1/4 turn anti-clockwise.
3. If the belt remains centered the adjustment is correct. If not, continue to make small adjustments as above until the belt is correctly aligned. If the belt is allowed run across to one side for long periods of time the edges of the belt may be damaged and the treadmill may not continue to operate correctly. Any damage to the belt caused by the lack of necessary adjustment will not be covered by the warranty.

ADJUSTING THE BELT TENSION

The belt must be tensioned if it begins to slip on the rollers. In normal use, however, keep the belt as loose as possible! The belt tension is adjusted by turning the same screws as used for aligning the running belt. If turning the screws will not effect the belt tension, please contact your local Tunturi dealer.

1. Increase the treadmill's speed to 5 km/h (3 mph).

2. Turn both adjustment screws an equal amount, 1/4 turn clockwise.
3. Try to slow the belt down by holding onto the handrails and braking as you walk (as if you were walking downhill). If the belt slips, turn another 1/4 turn and repeat the test. When braking heavily the belt may slip. If the belt keeps slipping despite repeated adjustments, please contact your local Tunturi dealer.

MALFUNCTIONS

NOTE! Despite continuous quality control, defects and malfunctions caused by individual components may occur in the equipment. In most cases it's unnecessary to take the whole device in for repair, as it's usually sufficient to replace the defective part. Always give the model, serial number of your equipment and in case of malfunctions also conditions of use, nature of malfunction and any error code.

When you encounter unusual behavior from the treadmill, simply turn the power switch off, wait 1 minute and turn the power switch on to reset the treadmill. This should clear incidental errors and ready the treadmill for normal operation again. If after you have reset the treadmill by turning the power switch off and on again, and the treadmill is still not operational, contact your local Tunturi dealer for service.

If you require spare parts, always give the model, serial number of your equipment and the spare part number for the part you need. The spare part list is at the back of this manual. Use only spare parts mentioned in the spare part list.

ERROR CODES

The user interface will display information about operational faults.

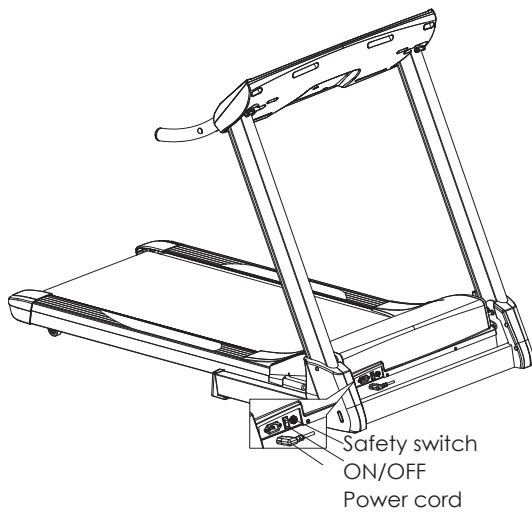
E1: Speed sensor error. Unplug the electrical cord from the wall outlet and from the treadmill, wait 1 minute and turn the power switch on again. If treadmill recovers to normal operation, you may continue to use the treadmill. Otherwise, call the dealer for service.

E3: Lift motor error. Unplug the electrical cord from the wall outlet and from the treadmill, wait 1 minute and turn the power switch on again. If treadmill recovers to normal operation, you may continue to use the treadmill. Otherwise, call the dealer for service.

PROTECTIVE CIRCUIT

The machine will shut off when the electricity load is above the machine's capacity. To restart the machine, please follow the procedure below:

- A. Unplug the power cord from the machine's socket.
- B. Push in the safety switch.
- C. Replug the power cord into the machine's socket.



NOTE! Don't push in the safety switch before unplugging the machine's power cord

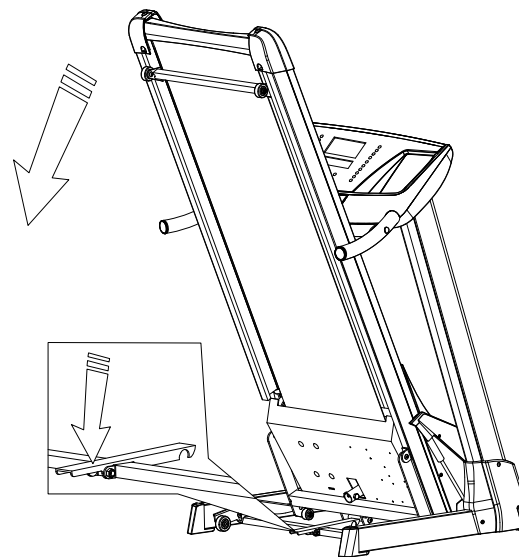
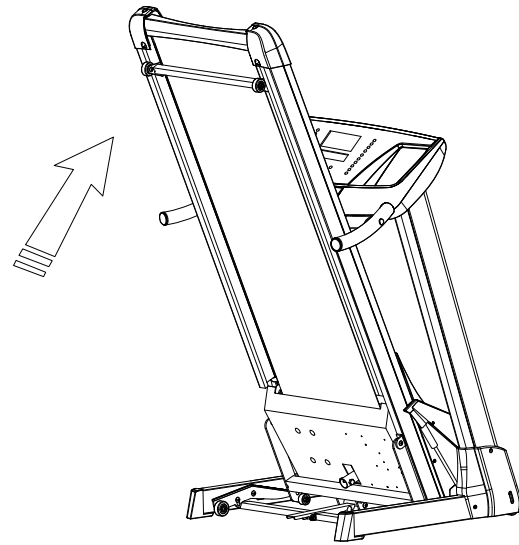
If you leave the treadmill plugged in after turning off the console, there will still be current running to the console. This treadmill is equipped with a safety control program that will automatically shut down the machine after six hours of no use. In the event of an automatic shut down, please follow the procedure below to restart the treadmill:
A. Unplug the power cord from the machine's socket. Replug the power cord into the machine's socket to restart the machine.

MOVING AND STORAGE

After assembly is complete, you may fold the machine into the upright position for storage. To hold the machine, raise the desk until it locks in to position.

NOTE! Make sure you hear the click sound of the deck locking into position. This is to ensure the deck is locked in place and will not drop back down.

NOTE! Make sure the treadmill's elevation is at 0 before folding the deck. If the elevation is not at 0, folding will damage the mechanism.



First to step on the pedal, second push the frame toward the console then leave the deck lower to the floor.

NOTE! This machine has a built-in safety unfolding feature to help the deck lower slowly. Please make sure there are no children or other things under the deck when you lower it.



TO MOVE THE TREADMILL

Before moving the Run 1.0, be sure the power cord is unplugged from the wall and the treadmill. Fold up the running deck until it is locked and push the equipment on the transportation wheels. Lower the treadmill carefully onto the floor. Hold the handlebar to move forward the treadmill.

! **NOTE!** Transport the treadmill with extreme caution over uneven surfaces, for example over a step. The treadmill should never be transported upstairs using the wheels over the steps, instead it must be carried. We recommend that you use a protective base when transporting the equipment.

! **NOTE!** The running belt needs to be realigned and centered after moving. To prevent malfunctioning of the treadmill, store it in a dry place with as little temperature variation as possible, protected against dust. Always unplug the treadmill from the electrical outlet when not in use.

TECHNICAL DATA

Length (storage position)	193 cm (93 cm)
Height (storage position)	140 cm (181 cm)
Width	91 cm
Weight	101 kg
Running surface	51 x 150 cm
Speed	0.8-20.0 km/h
Elevation range	0-12 %
Motor	2.0 HP

The Run 1.0 treadmill meets the requirements of the EU's EMC Directives on electromagnetic compatibility (89/336/EEC) and electrical equipment designed for use within certain voltage limits (73/23/EEC). This product therefore carries the CE label.

The Run 1.0 treadmill meets EN precision and safety standards (EN-957).

Due to our continuous policy of product development, Tunturi reserves the right to change specifications without notice.

! **CAUTION!** The instructions must be followed carefully in the assembly, use and maintenance of your equipment. The warranty does not cover damage due to negligence of the assembly, adjustment and maintenance instructions described herein. Changes or modifications not expressly approved by Tunturi-Fitness will void the user's authority to operate the equipment!

We wish you many enjoyable trainings with your new Tunturi training partner!

INHALT

MONTAGE	10
COCKPIT	12
ALLGEMEINES ZUM TRAINING	13
BEDIENUNG	14
WARTUNG	15
TRANSPORT UND AUFBEWAHRUNG	17
TECHNISCHE DATEN	17

HERZLICH WILLKOMMEN IN DER WELT DES TRAINIERENS MIT TUNTURI!

Durch Ihren Kauf haben Sie bewiesen, dass Ihnen Ihre Gesundheit und Ihre Kondition viel wert sind; auch haben Sie gezeigt, dass Sie Qualität zu schätzen wissen. Mit einem Tunturi-Fitnessgerät haben Sie sich für ein hochwertiges, sicheres und motivierendes Produkt als Trainingspartner entschieden. Welches Ziel Sie auch immer mit Ihrem Training verfolgen, wir sind sicher, dass Sie es mit diesem Fitnessgerät erreichen. Hinweise zu Ihrem Trainingsgerät und zum effektiven Training damit finden Sie auf der Internetseite von Tunturi WWW.TUNTURI.COM.

WICHTIGE SICHERHEITSHINWEISE

Dieses Handbuch ist ein wesentlicher Bestandteil Ihres Trainingsgerätes. Lesen Sie es bitte sorgfältig durch, bevor Sie Ihr Trainingsgerät montieren, mit ihm trainieren oder es warten. Bitte bewahren Sie dieses Handbuch auf; es wird Sie jetzt und zukünftig darüber informieren, wie Sie Ihr Gerät benutzen und warten. Befolgen Sie diese Anweisungen immer sorgfältig.

Ihr Heimtrainer wurde für das Heimtraining entwickelt. Sowohl Tunturi, als auch seine nationalen Vertretungen übernehmen keine Haftung für Verletzungen oder Geräteschäden. Die sich bei Dauereinsatz in gewerblichen Fitnesscentern, Sportvereinen und vergleichbaren Einrichtungen ergeben. Für Schäden, die durch Missachtung der in diesem Handbuch beschriebenen Montage-Einstellungs- und Wartungsanweisungen entstehen, besteht kein Garantieanspruch!

- Das Gerät nur an geerdete Schukosteckdosen anschließen und zum Anschluss kein Verlängerungskabel verwenden. Schwankungen in der Netzspannung von mehr als 10 Prozent können zu Fehlfunktionen des Gerätes führen und die Elektronik beschädigen. Die Leistungsaufnahme kann maximal 2 kW betragen. Die Garantie erlischt, wenn das Gerät nicht diesen Anleitungen entsprechend angeschlossen wird.
- Modifikationen an Steckdosen und Netzkabel dürfen nur von Fachkräften durchgeführt werden, die mit der Wartung von elektromechanischen Geräten vertraut sind und eine gültige Genehmigung für die Durchführung derartiger Wartungs- und Reparaturarbeiten haben.

- Suchen Sie vor dem Trainingsbeginn einen Arzt auf, der Ihren Gesundheitszustand feststellt.
- Bei Übelkeit, Schwindelgefühl oder anderen ungewöhnlichen Symptomen während des Trainings, beenden Sie Ihre Übung und suchen Sie einen Arzt auf.
- Keine anderen als die in dieser Gebrauchsanweisung beschriebenen Wartungsmaßnahmen und Einstellungen vornehmen. Vor Montage- und Reparaturarbeiten das Gerät ausschalten und den Netzstecker ziehen.
- Das Run 1.0 darf nicht von Personen benutzt werden, deren Gewicht über 135 kg liegt.
- Nähere Informationen zur Garantie auf Ihr Fitnessgerät finden Sie im dem Gerät beiliegenden Garantieheft. Sowohl Tunturi, als auch seine nationalen Vertretungen übernehmen keine Haftung für Verletzungen oder Geräteschäden, die sich bei Dauereinsatz in gewerblichen Fitnesscentern, Sportvereinen und vergleichbaren Einrichtungen ergeben. Für Schäden, die durch Missachtung der beschriebenen Einstellungs- und Wartungsanweisungen entstehen, besteht kein Garantie-Anspruch!

MONTAGE

Wir empfehlen, dass das Gerät von zwei Erwachsenen montiert wird. Nehmen Sie das Laufband nicht aus dem Karton: Schützen Sie den Fußboden mit dem Verpackungsmaterial vor der Montierung.

Vergewissern Sie sich vor dem Zusammenbau des Geräts, dass alle Teile geliefert wurden:

1. Rahmen
2. Kabel
3. Montage-Kit (Inhalt in der Teileliste mit * markiert): Montagewerkzeuge für späteren Gebrauch (z.B. Einstellen des Geräts) aufbewahren.

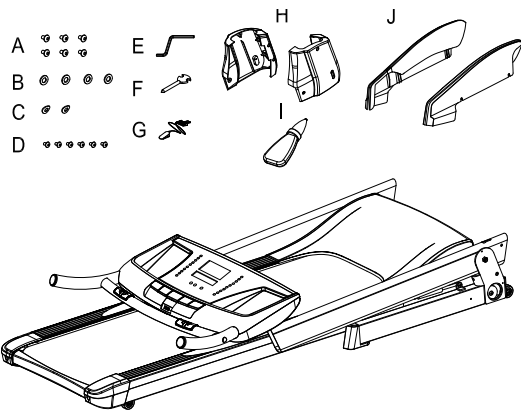
Wenden Sie sich bei Problemen an Ihren Tunturi-Händler. Die Richtungsangaben links, rechts, vorne und hinten verstehen sich aus der Sicht der Trainingsposition. Zur Vermeidung von Verletzungen das Deck hochklappen bevor das Laufband aus dem Karton gehoben wird.

SCHRITT 1

Suchen Sie den Beutel mit den in der Grafik unten aufgeführten Eisenteilen und Teilen.



Abbildung 1

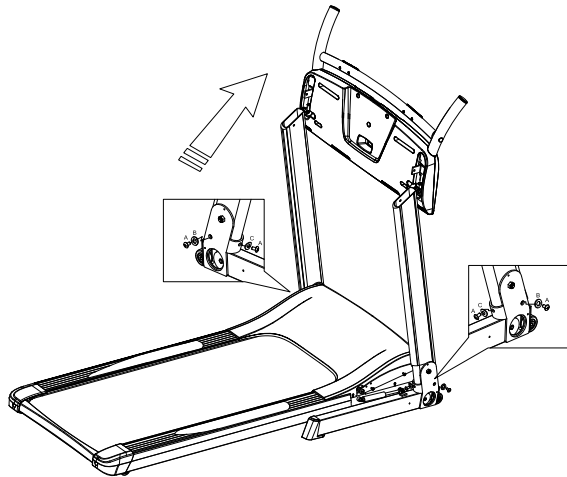


Part#	Description	Q'TY
A	Screw M8x20L	6
B	Washer Ø8xØ18	2
C	Washer Ø10xØ25	4
D	Screw M4x6L	6
E	Allen Key	1
F	Screwdriver	1
G	Safety Key	1
H	Side Cap	2
I	Lube	1
J	Incline Bracket Cover	2

SCHRITT 2

Den Ständern anheben und die Schrauben (A) und Unterlegscheiben (B, C) in die Löcher unten am Ständer einsetzen. Ziehen Sie die Schrauben mit dem Schraubenzieher (F) fest an.

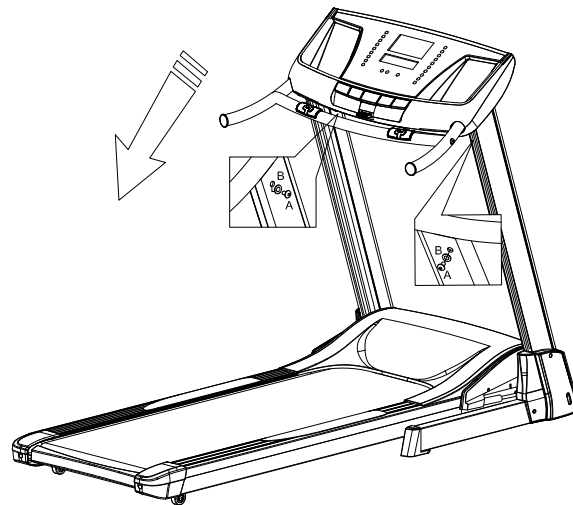
Abbildung 2



SCHRITT 3

Bringen Sie das Bedienpult in die richtige Position. Ziehen Sie mithilfe des Inbusschlüssels die Schrauben (A) und Unterlegscheiben (B) in den Löchern oben am Ständer fest.

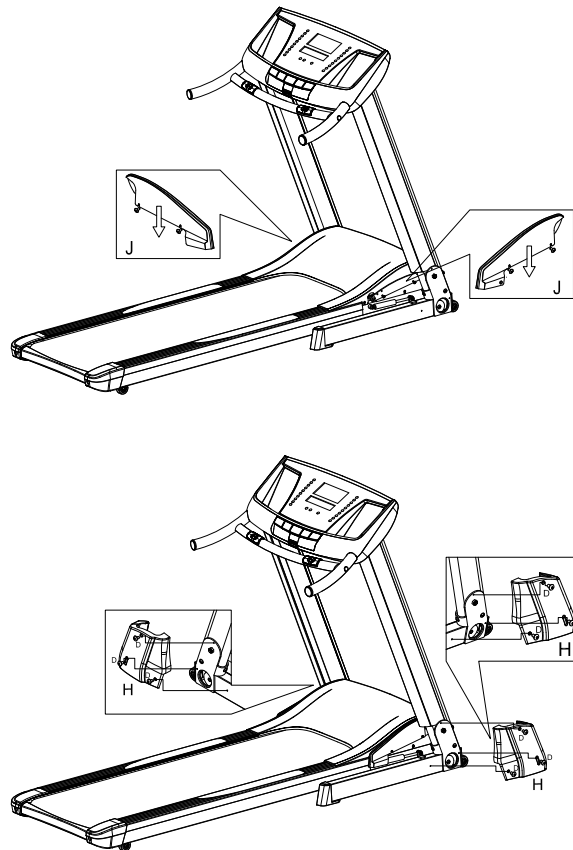
Abbildung 3



SCHRITT 4

Befestigen Sie die seitlichen Abdeckungen (H) mit den Schrauben (D) unten am Ständer und ziehen Sie diese gut fest.

Abbildung 4

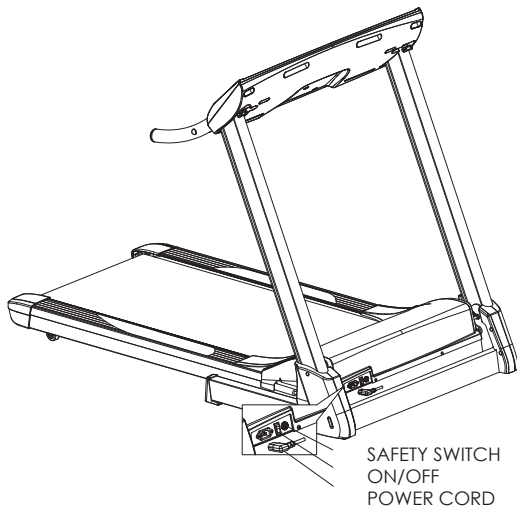


! VORSICHT!

Die Maschine stellt sich automatisch aus, wenn die elektrische Ladung die Kapazität der Maschine übersteigt. So starten Sie die Maschine neu:



- A. Ziehen Sie das Kabel von der Steckerbuchse der Maschine ab.
- B. Drücken Sie den Sicherheitsschalter ein.
- C. Schließen Sie das Kabel wieder in die Steckerbuchse der Maschine an.



Drücken sie den sicherheitsschalter nicht ein, wenn das kabel noch in der maschine sitzt.

Wenn Sie das Laufband nach Ausschalten des Bedienpults angeschlossen lassen, wird das Bedienpult weiter mit Strom versorgt. Dieses Laufband ist mit einem Sicherheitskontrollprogramm ausgestattet, das die Maschine nach 6 Stunden Nichtbenutzung automatisch ausschaltet. Wenn sich die Maschine automatisch ausgeschaltet hat, können Sie das Laufband folgendermaßen neu starten:

- A. Ziehen Sie das Kabel von der Maschine ab.
- B. Schließen Sie zum Neustart das Kabel wieder an die Maschine an.

COCKPIT



TASTENFUNKTIONEN

Hauptfunktionstasten:

1. ELEVATION +:

- a. Erhöht in der HEART RATE/ELEVATION-Anzeige den Steigungsgrad im Bereich von 0% bis 12%. Einmaliges Drücken der Taste erhöht den Wert um 1%. Zum schnellen Erhöhen der Werte die Taste 2 Sekunden lang gedrückt halten.
- b. Drücken Sie diese Taste zur Auswahl der Programme P1, P2, P3, P4, ... U1, und U2.

2. ELEVATION -:

- a. Senkt in der HEART RATE/ELEVATION-Anzeige den Steigungsgrad im Bereich von 0% bis 12%. Einmaliges Drücken der Taste senkt den Wert um 1%. Zum schnellen Senken der Werte die Taste 2 Sekunden lang gedrückt halten.
 - b. Drücken Sie diese Taste zur Auswahl der Programme P1, U3, U2, U1, P9, P8, P7, P6, P5, P4, P3, P2.
- 3. POWER:** Drücken Sie diese Taste zum Ein- und Ausschalten des Geräts und zur Auswahl des Trainingsprogramms.
- 4. START/STOP:** Startet oder stoppt das Programm.
- 5. SELECT:**
- a. Schaltet von einem Programm zum nächsten in der Reihenfolge der 12 Programme um. Die Reihenfolge ist P1, P2, P3, P4, P5, ... sowie die benutzerdefinierten Programme U1, U2 und U3.
 - b. Drücken Sie diese Taste während des Trainings zur Abfrage der Funktionen Herzfrequenz (Heart rate) und Steigung (Elevation).

6. ENTER/RESET:

- a. Drücken Sie diese Taste zur Bestätigung des gewünschten Programms oder Einstellungswerts.
- b. Halten Sie die Taste 2 Sekunden lang gedrückt, um den Wert wieder auf den Anfangsmodus zurückzusetzen.

7. SPEED+:

- a. Erhöht den in der Geschwindigkeitsanzeige (SPEED) angezeigten Geschwindigkeitsgrad im Bereich von 0,8 bis 20,0 km/h (0,5 bis 12,5 Meilen/h). Einmaliges Drücken der Taste erhöht den Wert um 0,2 km/h (bzw. 0,1 Meilen/h). Zum schnellen Erhöhen der Werte die Taste 2 Sekunden lang gedrückt halten.
- b. Drücken Sie diese Taste zur Auswahl der Programme P1, P2, P3, P4, P5, ... , U1, und U2.

8. SPEED -:

- a. Senkt den in der Geschwindigkeitsanzeige (SPEED) angezeigten Geschwindigkeitsgrad im Bereich von 0,8 bis 20,0 km/h (0,5 bis 12,5 Meilen/h). Einmaliges Drücken der Taste senkt den Wert um 0,2 km/h (bzw. 0,1 Meilen/h). Zum schnellen Senken der Werte die Taste 2 Sekunden lang gedrückt halten.
- b. Drücken Sie diese Taste zur Auswahl der Programme P1, U3, U2, U1, P9, P8, P7, P6, P5, P4, P3 und P2.

Geschwindigkeitsschnellstasten:

6 Geschwindigkeitsschnellstasten sind auf 4, 6, 8, 10 und 12 km/h (bzw. 2, 4, 6, 8, 10 und 7 Meilen/h) voreingestellt. Beispiel: Die Geschwindigkeit ändert sich von einer beliebigen Geschwindigkeit zu 8km/h, wenn die Geschwindigkeitsschnellstaste 8 gedrückt wird.

Steigungsschnellstasten

6 Steigungsschnellstasten sind auf 2, 4, 6, 8 und 10% Steigung voreingestellt. Beispiel: Der Steigungsgrad ändert sich von einer beliebigen Steigung zu 4%, wenn die Steigungsschnellstaste 4 gedrückt wird.

Schnellzugriffstasten für Geschwindigkeit:

- 1. +: dieselbe Funktion wie Speed +.
- 2. -: dieselbe Funktion wie Speed -.

Schnellzugriffstasten für Steigung:

- 1. +: dieselbe Funktion wie Incline +.
- 2. -: dieselbe Funktion wie Incline -.

DISPLAYS SOWIE TRAININGSBEREICHE

A. TIME (ZEIT) -ANZEIGE: Zeigt die Trainingszeit in Vorwärts- oder Rückwärtszählung an. Wenn das Band nicht läuft und der Sicherheitsschlüssel eingesteckt ist



(SAFETY KEY auf ON), können Sie diese Funktion wählen, indem Sie auf die ENTER-Taste drücken und dann den Wert durch Drücken der „+“ bzw. „-“ Taste einstellen. Der Bereich für die Vorwärtszählung liegt zwischen 00:00 und 99:59 und bei der Rückwärtszählung zwischen 10:00 und 99:00. Bei der Rückwärtszählung auf 00:00 piept der Monitor 12-mal bevor das Laufband stoppt.

B. SPEED (GESCHWINDIGKEIT) -ANZEIGE: Zeigt die Geschwindigkeit des Laufbands an. Sie kann durch Drücken der Tasten „SPEED+“ und „SPEED-“ auf 0,8 bis 20,0 km/h (0,5 bis 12,5 Meilen/h) eingestellt werden.

C. DISTANCE (ENTFERNUNG): Zeigt die zurückgelegte Entfernung in Vorwärts- oder Rückwärtszählung an während das Band nicht läuft und bei eingestecktem Sicherheitsschlüssel (SAFETY KEY auf ON). Sie können diese Anzeige durch Drücken der ENTER-Taste auswählen und dann mithilfe der „SPEED+/-“ bzw. „ELEVATION +/-“ Tasten einstellen. Der Bereich der Vorwärtszählung liegt zwischen 0,00 und 999 km/h (bzw. Meilen/h) und bei der Rückwärtszählung zwischen 999 und 0 km/h (bzw. Meilen/h). Bei der Rückwärtszählung zu Null piept der Monitor 12-mal bevor das Laufband anhält.

D. CAL: Zeigt die verbrannten Kalorien in Vorwärts- oder Rückwärtszählung an während das Band nicht läuft und bei eingestecktem Sicherheitsschlüssel (SAFETY KEY auf ON). Sie können diese Anzeige durch Drücken der ENTER-Taste auswählen und dann mithilfe der „SPEED+/-“ bzw. „ELEVATION +/-“ Tasten einstellen. Der Bereich der Vorwärtszählung liegt zwischen 0 und 999 Kcal und bei der Rückwärtszählung zwischen 999 und 0 Kcal. Bei der Rückwärtszählung zu Null piept der Monitor 12-mal bevor das Laufband anhält.

E. HEART RATE/ELEVATION-ANZEIGE: Der angezeigte Standardwert ist die Herzfrequenz (HEART RATE) und die HEART RATE-Anzeige ist eingeschaltet. Sie schaltet während der Einstellung und bei eingeschalteter ELEVATION-Anzeige zum Steigungswert % um.

BETRIEBSANLEITUNGEN

(Vor Gebrauch des Geräts sorgfältig lesen!)

A. SICHERHEITSHINWEISE:

Schalten Sie zum Starten der Maschine das Gerät ein und befestigen Sie den Sicherheitsschlüssel am Monitor. Beachten Sie, dass die Maschine nicht funktioniert und die LED-Anzeige ausgeschaltet bleibt, wenn der Sicherheitsschlüssel nicht befestigt wurde. Befestigen Sie das andere Ende des Sicherheitsschlüssels vor dem Training am Benutzer des Geräts, um sicherzustellen, dass die Maschine stoppt, sollte der Benutzer aus Versehen vom Laufband abkommen. Sollte dies geschehen, löst sich der Sicherheitsschlüssel vom Monitor und das Laufband stoppt umgehend zur Vermeidung von weiteren Verletzungen.

B. PROGRAMMAUSWAHL:

Es gibt 17 Programme einschließlich 15 voreingestellten Programmen und 2 benutzerdefinierten Programmen, unter denen durch Drücken der „SELECT“-Taste gewählt werden kann.

C. PROGRAMM-DIAGRAMM:

Die in der PROGRAM-Anzeige angezeigten Diagramme geben das Geschwindigkeitsprofil wieder, wechseln während des Trainings aber auch zur Steigung um. Die

Anzeige verfügt insgesamt über 10 Spalten. Wird keine Zeit voreingestellt, dauert jedes Programm 20 Minuten, d.h. 2 Minute von jedem Spaltenintervall. Wird eine Zeit eingestellt, variiert jedes Intervall.

D. TRAINING MIT EINEM BESTIMMTEN ZIEL

Bei allen Programmen kann der Benutzer die Zeitwerte (TIME) vor dem Training ändern. Drücken Sie zur Auswahl des Programms die ENTER-Taste und ändern Sie dann die Werte durch Drücken der „SPEED +/-“ Tasten. Werden die Werte nicht geändert und sind alle auf 0 eingestellt, kann der Benutzer ohne Zeitlimit laufen bis er die Maschine ausschaltet. Der Benutzer kann aber auch den gewünschten Zeitwert in Rückwärtszählung einstellen. Ist der Zeitwert zum Beispiel auf 10 Minuten eingestellt, stoppt das Laufband nach 10 Minuten automatisch.

E. HERZFREQUENZ:

Sie können Ihre Herzfrequenz auf zwei Arten messen: Entweder über den Handpulssensor oder unter Verwendung eines Brustgurtes. Die Pulsmessung beim geschicht durch Fühler in den Handstützen, die immer dann den Puls messen, wenn der Gerätebenutzer beide Sensoren gleichzeitig berührt. Die Voraussetzung für eine verlässliche Pulsmessung liegt darin, dass die Haut etwas feucht und in ständiger Berührung mit den Sensoren ist. Eine zu trockene oder zu feuchte Haut vermindert die Funktionstüchtigkeit der Handpulsmessung. Bitte berücksichtigen Sie, dass, falls Sie während des Trainings besonders heftig auf dem Laufband auftreten, dies Störungen verursachen kann, die ihrerseits die Zuverlässigkeit der Handpulsmessung beeinträchtigen können. Um die Funktionssicherheit zu gewährleisten, empfehlen wir daher eine Pulsmessung nur für ein Training bei Gehgeschwindigkeit oder wenn Sie das Laufband anhalten bzw. auf den Seitenplatten des Laufbands stehen bleiben.

ALLGEMEINES ZUM TRAINING

FÜR IHRE GESUNDHEIT

- Suchen Sie vor dem Trainingsbeginn einen Arzt auf, der Ihren Gesundheitszustand feststellt.
- Bei Übelkeit, Schwindelgefühl oder anderen ungewöhnlichen Symptomen während des Trainings, beenden Sie Ihre Übung und suchen Sie einen Arzt auf.
- Um Muskelkater und Zerrungen zu vermeiden, beginnen und beenden Sie jedes Training mit Dehnübungen.

FÜR DIE TRAININGSUMGEBUNG

- Dieses Gerät darf nur in Innenräumen benutzt werden; es ist nicht für den Einsatz in Feuchträumen vorgesehen.
- Stellen Sie das Gerät auf einen sicheren, ebenen Untergrund. Darauf achten, dass der Bereich neben und vor (mindestens 100 cm) und hinter (mindestens 100x200 cm) dem Laufbandtrainer frei ist.
- Es wird empfohlen, das Gerät auf eine Schutzmatte zu stellen.
- Vergewissern Sie sich, dass der Trainingsraum ausreichend belüftet ist. Um Erkältungen zu vermeiden, trainieren Sie nicht an einem zugigen Ort.

FÜR DEN GEBRAUCH

- Nach jedem Training den Netzstecker ziehen.
- Falls Sie Kinder an das Trainingsgerät lassen, müssen Sie deren geistige und körperliche Entwicklung und vor allem deren Temperament berücksichtigen, sie gegebenenfalls beaufsichtigen und sie vor allem auf die richtige Benutzung des Gerätes hinweisen.
- Das Gerät kann immer nur von einer Person benutzt werden.
- Tragen Sie während des Trainings angemessene Kleidung und Schuhe.

TRAINING BEGINNEN

- Zur Vermeidung von Muskelkater Aufwärmtraining (langames Joggen oder Gehen) und Dehnübungen nicht vergessen.
- Mit gegrätschten Beinen auf die Seitenränder des Laufbandtrainers stellen. Das Gerät nie auf dem Laufband stehend in Bewegung setzen.
- Zum Auf- und Absteigen und bei der Bedienung der Tastatur immer an den Handläufen festhalten. Nie vom laufenden Laufband abspringen!
- Bei Übelkeit, Schwindelgefühl oder anderen ungewöhnlichen Symptomen während des Trainings, beenden Sie Ihre Übung und suchen Sie einen Arzt auf.

TRAINING BEENDEN

- Zur Vermeidung von Muskelkater Abwärmtraining (langames Joggen oder Gehen) und Dehnübungen nicht vergessen.
- Den Sicherheitsschlüssel immer abziehen.
- Das Gerät ausschalten.
- Das Netzkabel sowohl aus der Steckdose als auch aus der Buchse am Laufbandtrainer ziehen und an einem sicheren Ort, vor Kinderhand geschützt, aufbewahren.
- Das Gerät mit einem leicht angefeuchteten Wischtuch von eventueller Feuchtigkeit befreien. Keine Lösungsmittel verwenden!

WIE MOTIVIEREN SIE SICH ZUM WEITERMACHEN?

Für das Erreichen Ihrer Ziele brauchen Sie Motivation, um für das Maximalziel weiterzumachen: lebenslange Gesundheit und neue Lebensqualität.

- Setzen Sie sich realistische Ziele.
- Machen Sie Ihrem Zeitplan entsprechend allmähliche Fortschritte.
- Führen Sie ein Fitness-Tagebuch.
- Variieren Sie Ihre Trainingsformen von Zeit zu Zeit.
- Gestalten Sie Ihr Training mit Phantasie.
- Üben Sie sich in Selbstdisziplin.

Ein wichtiger Aspekt Ihres Trainings ist die Vielseitigkeit. Indem Sie variieren und verschiedene Muskelgruppen trainieren, erhalten Sie sich Ihre Motivation.

HERZFREQUENZ

Die Herzfrequenzmessung erfolgt drahtlos mit einem Herzfrequenzmessgerät. Der Empfänger ist bereits eingebaut.

Egal, welches Ziel Sie erreichen wollen, die besten Resultate erzielen Sie mit einem Training auf dem richtigen Leistungsniveau, und das beste Maß ist dabei Ihre eigene Herzfrequenz. Ermitteln Sie zuerst Ihre maximale Herzfrequenz. Wenn Sie Ihre maximale Herzfrequenz nicht kennen, orientieren Sie sich an der nachfolgenden Formel:

220 - ALTER

Das ist ein Durchschnittswert, das Maximum unterscheidet sich von Mensch zu Mensch. Die maximale Herzfrequenz verringert sich pro Jahr durchschnittlich um einen Punkt. Wenn Sie zu einer Risikogruppe zählen, bitten Sie den Arzt, Ihre maximale Herzfrequenz festzustellen. Wir haben drei Herzfrequenzbereiche definiert, die Sie bei Ihrem zielgerichteten Training unterstützen.

ANFÄNGER: 50-60 % der maximalen Herzfrequenz
Sie ist außerdem für Übergewichtige und Rekonvaleszenten geeignet sowie für diejenigen, die seit langem nicht mehr trainiert haben. Drei Trainingseinheiten pro Woche von jeweils einer halben Stunde Dauer sind angemessen. Regelmäßiges Training verbessert die Leistungsfähigkeit der Atmungs- und Kreislauforgane ganz entscheidend.

FORTGESCHRITTENE: 60-70 % der maximalen Herzfrequenz
Perfekt geeignet zur Verbesserung und Erhaltung der Fitness. Damit stärken Sie Ihr Herz und Ihre Lungen mehr, als auf dem Anfängerniveau. Wir empfehlen mindestens 3 Trainingseinheiten pro Woche mit jeweils mindestens 30 Minuten. Wenn Sie Ihr Fitnessniveau noch weiter erhöhen möchten, trainieren Sie häufiger oder intensiver, aber nicht beides zugleich.

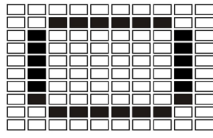
AKTIVE SPORTLER: 70-80 % der maximalen Herzfrequenz
Das Training auf diesem Niveau ist nur für durchtrainierte Sportler geeignet und setzt ein Langzeit-Ausdauertraining voraus.

BEDIENUNG

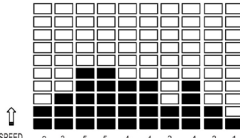
1. Sicherheitsschlüssel einstecken.
2. Schalten Sie das Gerät durch Drücken der POWER-Taste ein. Der Monitor schaltet sich ein. Das Programmfenster zeigt „ENTER WEIGHT“ (Gewicht eingeben) an. Geben Sie mithilfe der +/- Tasten Ihr Gewicht ein.
3. Drücken Sie die ENTER-Taste um Ihre Einstellungen zu bestätigen. Das Programmfenster zeigt „SELECT PROGRAM OR PRESS START“ (Programm auswählen oder START drücken) an.
4. Drücken Sie die SELECT-Taste und wählen Sie mithilfe der SPEED +/- oder INCLINE +/- Tasten das gewünschte Programm unter P1-P17 oder U1-U2 aus.

PROGRAMME 1 - 17

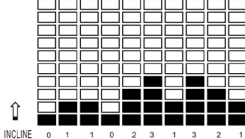
P1 Manual



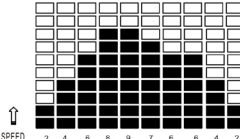
P6 Walking I



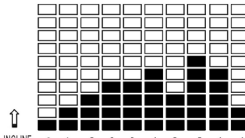
P2 Rolling hills



P7 Walking II



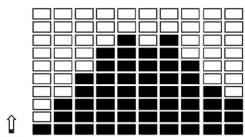
P3 Mountain Pass



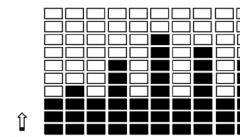
P8 Jogging



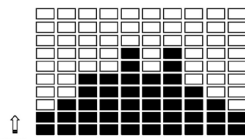
P4 Mountain Peak



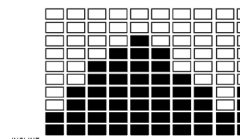
P9 Jogging Interval



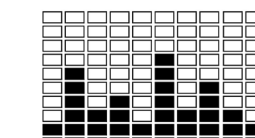
P5 Calorie Burn



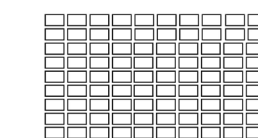
P10 Cardio Burn



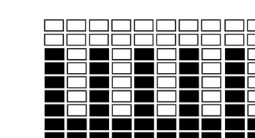
P11 Hill Interval



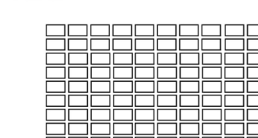
P15 U1



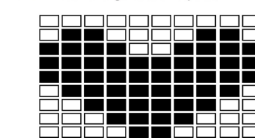
P12 Mountain Interval



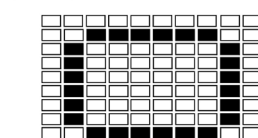
P16 U2



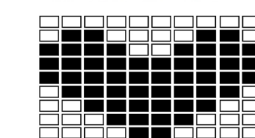
P13 HRC1-Weight Loss Speed



P17 BODYFAT



P14 HRC2-Cardio Heart Incline



Bearbeitung der Profilebenen:

1. Im Programmfenster blinkt die erste Spalte der LED-Matrix. Drücken Sie die SPEED +/- Tasten zur Eingabe der gewünschten Geschwindigkeit und die INCLINE +/- Tasten zur Eingabe des gewünschten Steigungsgrads.
2. Drücken Sie die ENTER-Taste um Ihre Profileinstellung für die erste Spalte zu bestätigen.
3. Fahren Sie Spalte für Spalte mit den übrigen Profileinstellungen fort.

WARTUNG

Die sichere Benutzung des Geräts ist nur gewährleistet, wenn es regelmäßig gewartet und auf Mängel und Verschleiß untersucht wird.

REINIGUNG DES LAUFBANDES UND PFLEGE DER LAUFPLATTE

Wenn sie ihr laufband nicht schmieren, kann die garantie des produkts erlöschen!

Die Handläufe und die Elektronikanzeige mit einem feuchten Tuch reinigen. Auf keinen Fall Lösungsmittel verwenden! Die sichtbaren Teile des Rahmens (wie Laufmatte, Laufplatte und Seitenprofile) regelmäßig mit einer kleinen Düse absaugen. Halten Sie die Umgebung des Laufbandes sauber. Im Betrieb zieht das Laufband z.B. Staub an, der Probleme für die Funktion des Gerätes verursachen kann.

Die Schmierung ist eine wichtige Maßnahme bei der Pflege Ihres Laufbandes. Bei durchschnittlicher privater Nutzung (maximal 60 Minuten pro Tag) sollten Sie einmal im Monat überprüfen, ob das Laufband geschmiert werden muss. Schmieren Sie es jedoch nur bei Bedarf. Bei stärkerer Nutzung sollten Sie den Schmierzustand in kürzeren Abständen überprüfen, am besten bevor Sie mit einer Trainingseinheit beginnen. Überprüfen Sie den Schmierzustand wie folgt:

1. Vergewissern Sie sich, dass das Laufband ausgeschaltet ist! Stellen Sie sich auf dem Laufband an die Stelle, auf der Sie normalerweise laufen.

2. Umgreifen Sie den horizontalen Lenkerbügel, und drücken Sie mit Ihren Füßen gegen das Band, so dass es vor und zurück gleitet. Das Band sollte sich geräuschlos, sanft und gleichmäßig bewegen.

3. Wenn sich das Band ruckartig oder gar nicht bewegt, überprüfen Sie den Ölunzustand, indem Sie mit Ihrer Hand unter das Band fassen.

Schmieren Sie das Band wie folgt:

1. Bringen Sie die Spritzdüse des Schmiermittlröhrchens am T-Lube S-Behälter an.

2. Heben Sie das Laufband an und fixieren Sie es.

3. Positionieren Sie die Spritzdüse zwischen Band und Platte. Versuchen Sie, möglichst weit in die Mitte der Lauffläche zu sprühen.

4. Versprühen Sie das Schmiermittel 2-3 Sekunden lang.

5. Bringen Sie das Laufband wieder in die Ausgangsposition. Verwenden Sie es nun für Ihre Trainingseinheit, oder lassen Sie es mindestens fünf Minuten laufen.



! BITTE BEACHTEN! Schmieren Sie Ihr Laufband ausschließlich mit dem Schmiermittel T-Lube S. Wenden Sie sich an Ihren Tunturi Händler vor Ort, wenn Sie mehr T-Lube oder weitere Informationen zur Schmierung und Wartung benötigen.

AUSRICHTEN DER LAUFMATTE

Beobachten Sie den Lauf des Bandes während des Trainings und führen Sie die unten beschriebenen Einstellmaßnahmen sofort aus, wenn sie notwendig sind. Während des Trainings sollte die Laufmatte möglichst gerade und mittig laufen. Die Laufmatte braucht nicht neu ausgerichtet werden, falls

- das Gerät an einem ebenen Ort aufgestellt wird und ordnungsgemäß gespannt ist, und
- das Laufband ursprünglich ordnungsgemäß ausgerichtet wurde.

Aufgrund von besonderen Laufstilen (z. B. einseitige Gewichtsverteilung) kann die Laufmatte mit der Zeit jedoch schräg laufen. Ragt die Laufmatte über eines der beiden Seitenprofile hinaus, muss die Laufmatte wie folgt neu ausgerichtet werden:

1. Die Matte mit einer Geschwindigkeit von 5 km/h laufen lassen.
2. Lläuft die Laufmatte nach links, die linke Einstellschraube am hinteren Ende des Laufbandtrainers um 1/4 Umdrehung nach rechts und die rechte Einstellschraube um 1/4

Umdrehung nach links drehen. Bereits eine 1/4 Umdrehung verändert die Richtung der Laufmatte. Deshalb die Stellung der Einstellschrauben nur Schritt für Schritt verändern. Lläuft die Laufmatte nach rechts, die rechte Einstellschraube am hinteren Ende des Laufbandtrainers um 1/4 Umdrehung nach rechts und die linke Einstellschraube um 1/4 Umdrehung nach links drehen.

3. Lläuft die Laufmatte in der Mitte, ist die Einstellung richtig. Wenn nicht, die obigen Schritte so lange wiederholen, bis die Laufmatte in der Mitte des Gerätes bleibt. Lläuft die Laufmatte über längere Zeit hinweg schräg, so dass es an der einen Geräteseite scheuert, können Betriebsstörungen auftreten. Die Garantie deckt keine Schäden, die auf eine unterlassene Ausrichtung der Laufmatte zurückzuführen sind.

NACHSPANNEN DER LAUFMATTE

Die Laufmatte muss nachgespannt werden, wenn sie bei normalem Betrieb über die Laufrolle zu rutschen beginnt. Die Laufbandspannung jedoch so gering wie möglich halten! Das Nachspannen erfolgt mit denselben Einstellschrauben wie zum Ausrichten.

1. Die Matte mit einer Geschwindigkeit von 5 km/h laufen lassen.
2. Beide Einstellschrauben gleich viel, 1/4 Umdrehung, nach rechts drehen.
3. Durch Gehen wie an einem steileren Abhang versuchen, die Laufmatte zu bremsen. Rutscht das Laufband immer noch zu leicht über die Laufrolle, die Einstellschrauben um eine weitere 1/4 Umdrehung nach rechts drehen und einen weiteren Bremsversuch machen. Die Laufmatte sollte erst bei scharfem Bremsen rutschen. Falls die Laufmatte trotz wiederholtem Nachspannen

rutscht, bitte Kontakt mit Ihrem Tunturi-Händler aufnehmen.

BETRIEBSSTÖRUNGEN

! BITTE BEACHTEN! Trotz kontinuierlicher Qualitätsüberwachung können vereinzelt an den Geräten durch einzelne Komponenten verursachte Funktionsstörungen auftreten. Dabei ist es nicht angebracht, das ganze Gerät zur Reparatur zu bringen, da der Fehler meistens durch Austauschen der defekten Komponente behoben werden kann. Wenden Sie sich an Ihre nationale Tunturi-Vertretung, wenn Sie Ersatzteile benötigen oder Funktionsstörungen an Ihrem Gerät feststellen. Beschreiben Sie das Problem und die Einsatzbedingungen und teilen Sie das Kaufdatum und die Seriennummer des Gerätes mit. Die Ersatzteilnummern finden Sie in der Liste am Ende dieser Anweisung. Nur Teile in der Ersatzteilliste dürfen verwendet werden. Falls Sie Funktionsstörungen an Ihrem Gerät feststellen, schalten Sie es umgehend aus. Warten Sie 1 Minute und schalten Sie das Gerät wieder ein. Normalerweise werden Funktionsstörungen mit dieser Maßnahme behoben und das Gerät kann weiterverwendet werden. Sollte die Funktionsstörung aber wieder auftreten, das Gerät umgehend ausschalten und Kontakt mit Ihrer nationalen Tunturi-Vertretung aufnehmen.

FEHLERMELDUNGEN

Das Cockpit zeigt eine Funktionsstörung auf der Anzeige an.

E1: Störung beim Geschwindigkeitssensor. Das Netzkabel aus der Steckdose ziehen, warten Sie eine Minute und starten Sie das Laufband neu. Falls die Fehlermeldung verschwunden ist, können Sie das Gerät wieder ganz normal benutzen. Sollte die Fehlermeldung nicht verschwinden, wenden Sie sich bitte an den Verkäufer des Geräts.

E3: Störung beim Hebemotor. Das Netzkabel aus der Steckdose ziehen, warten Sie eine Minute und starten Sie das Laufband neu. Falls die Fehlermeldung verschwunden ist, können Sie das Gerät wieder ganz normal benutzen. Sollte die Fehlermeldung nicht verschwinden, wenden Sie sich bitte an den Verkäufer des Geräts.

ÜBERSTROMSCHUTZ

Falls der Stromverbrauch des Laufbandes zu groß wird, schaltet der Überstromschutz als Vorsichtsmaßnahme die Stromzufuhr zum Laufband ab und die neben dem Stromschalter befindliche Drucktaste der Sicherung springt hervor. Vor der weiteren Benutzung des Gerätes überprüfen Sie besonders die Schmierung des Laufbandes sowie weitere mögliche mechanische Ursachen für die Auslösung des Überstromschutzes. Drücken Sie die Drucktaste der Sicherung wieder herunter, und das Gerät ist wieder betriebsbereit.



TRANSPORT UND AUFBEWAHRUNG

LAUFBAND ZUSAMMENKLAPPEN

Nachdem das Laufband zusammengebaut wurde können Sie es zur Aufbewahrung in aufrechter Position zusammenklappen. Heben Sie dazu das Deck an bis es in der Lagerposition einrastet.

! VORSICHT: Vergewissern Sie sich, dass die Steigung des Laufbands auf 0 steht bevor Sie das Deck zusammenklappen. Sollte die Steigung nicht auf 0 stehen, kann dies zu Schäden am Mechanismus führen.

LAUFBAND AUSEINANDER KLAPPEN

Ziehen Sie zuerst das Deck in Richtung Bedienpult und lassen Sie es dann zu Boden gleiten (Abb. 6).

! HINWEIS: Diese Maschine verfügt über eine eingebaute Aufklapp-Sicherheitsfunktion, um das Deck langsamer zu senken. Vergewissern Sie sich, dass sich keine Kinder oder Gegenstände unter dem Deck befinden, wenn Sie dieses aufklappen.

! HINWEIS! Seien Sie stets vorsichtig, auch wenn das Gerät mit Gaszylindern ausgestattet ist, die den Großteil des Deck-Gewichts auffangen. Vergewissern Sie sich bevor Sie Ihren Run 1.0 bewegen, dass das Kabel vom Gerät und vom Netzstrom abgezogen ist. Klappen Sie das Laufdeck hoch bis es einrastet und schieben Sie das Gerät auf die Transporträder. Klappen Sie das Laufband am Aufstellungsort vorsichtig auf den Boden aus. Wir empfehlen die Verwendung einer Schutzunterlage beim Transport des Geräts.

Abbildung 5

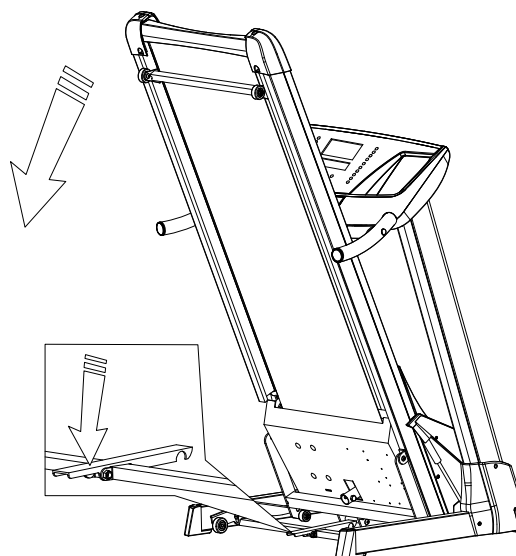
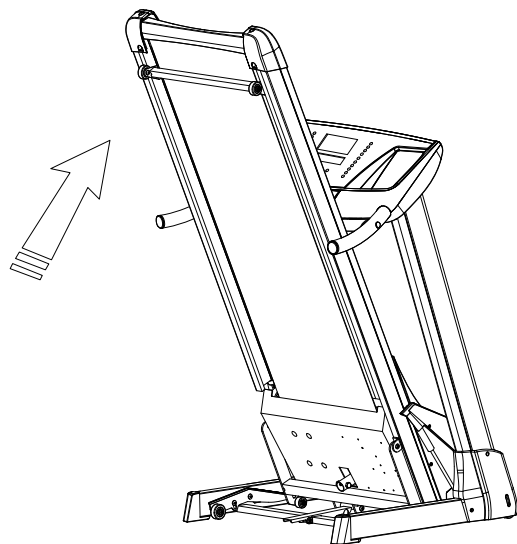


Abbildung 6

TECHNISCHE DATEN

Länge	193 cm (93 cm)
Höhe	140 cm (181 cm)
Breite	91 cm
Gewicht	101 kg
Lauffläche	51 x 150 cm
Geschwindigkeit	0.8-20.0 km/h
Neigung	0-12 %
Motor	2.0 PS

Sämtliche Tunturi-Geräte entsprechen den EG-Richtlinien für elektromagnetische Verträglichkeit, EMC (89/336/EWG) und der europäischen Niederspannungsrichtlinie (72/23/EEC). Das Produkt trägt daher das CE-Kennzeichen. Aufgrund unserer kontinuierlichen Produktentwicklung behält sich Tunturi das Recht vor, Spezifikationen ohne vorherige Ankündigung zu verändern.

! BITTE BEACHTEN! Die Hinweise bezüglich der Montage, der Benutzung und der Wartung Ihres Gerätes müssen sorgfältig beachtet werden. Die Garantie schließt keine Beschädigungen ein, die auf Fahrlässigkeit bei der Montage, Einstellung und Wartung, wie sie in diesem Handbuch beschrieben wurden, zurückzuführen sind. Werden Modifizierungen ohne das Einverständnis der Tunturi-Fitness vorgenommen, erlischt jeglicher Garantieanspruch!

Wir wünschen Ihnen viele angenehme Trainingsstunden mit Ihrem neuen Tunturi Trainingspartner!

TABLE DES MATIERES

ASSEMBLAGE	19
CONSOLE	20
GÉNÉRALITÉS SUR L'ENTRAÎNEMENT	22
FONCTIONNEMENT	23
ENTRETIEN	23
TRANSPORT ET RANGEMENT	25
CARACTERISTIQUES TECHNIQUES	26

BIENVENUE DANS LE MONDE DE L'ENTRAÎNEMENT TUNTURI!

Votre choix prouve que vous souhaitez réellement investir dans votre bien-être et votre condition; il révèle aussi que vous savez apprécier la haute qualité et l'élégance. En choisissant un équipement Tunturi, vous adoptez un produit de premier choix comme partenaire pour un entraînement motivant, en toute sécurité. Quel que soit votre objectif, nous sommes persuadés que cet appareil est celui qui vous y conduira. Vous trouverez les indications concernant l'utilisation de votre appareil sportif et les facteurs d'un entraînement efficace dans le web de Tunturi, à l'adresse WWW.TUNTURI.COM.

CONSEILS ET AVERTISSEMENTS

Ce guide est une pièce essentielle de votre appareil sportif. Lisez attentivement ce mode d'emploi avant d'assembler, d'utiliser ou d'effectuer l'entretien de votre appareil sportif. Veuillez conserver ce guide, il contient les renseignements dont vous aurez besoin, maintenant et plus tard, pour utiliser et entretenir votre appareil. Suivez toujours les instructions très rigoureusement.

⚠ ATTENTION

- L'appareil doit être branché sur une prise mise à la terre. N'utilisez pas de rallonge. La consommation de courant est de 10 A à son maximum. Les sources de courant présentant des variations de tension de plus de 10 % peuvent entraver le bon fonctionnement de l'appareil et endommager son équipement électronique. Si l'appareil est branché sans tenir compte des instructions données dans ce mode d'emploi, sa garantie n'est plus valable.

⚠ DANGER

Pour réduire les risques de choc électrique:

- Débranchez toujours l'appareil de la prise de courant immédiatement après son utilisation et avant de le nettoyer.

⚠ ATTENTION

- Le fil électrique de l'appareil est équipé de fiches mises à la terre.

⚠ ATTENTION

Pour réduire les risques de brûlures, d'incendie, de choc électrique ou de blessure aux personnes:

- 1) Un équipement ne devrait jamais être laissé sans

surveillance lorsqu'il est branché. Débranchez de la prise lorsque vous ne l'utilisez pas et avant de monter ou de retirer des pièces.

2) Une surveillance étroite est nécessaire lorsque cet équipement est utilisé par ou à proximité d'enfants, de personnes invalides ou handicapées.

3) N'utilisez cet équipement qu'à l'usage auquel il est destiné tel que décrit dans ce manuel. Ne pas utiliser d'accessoires non recommandés par le fabricant.

4) N'utilisez jamais cet équipement si sa prise ou son cordon de secteur sont endommagés, s'il ne fonctionne pas parfaitement, s'il est tombé ou qu'il a été endommagé ou s'il est tombé dans l'eau. Retournez l'équipement au centre de service pour contrôle et réparation.

5) Maintenir les fils électriques à distance des surfaces chauffées.

6) N'utilisez jamais l'appareil lorsque ses aspirations d'air sont bloquées. Veillez à ce qu'il n'y ait pas de peluches, de cheveux ou équivalents sur les aspirations d'air.

7) Ne jamais laisser tomber ou insérer aucun objet dans les aspirations d'air.

8) Ne pas utiliser en extérieur.

9) Ne pas utiliser dans un endroit où l'on utilise des produits aérosol (spray), ni dans un endroit où l'on administre de l'oxygène.

10) Pour débrancher, placer tous les contrôles en position fermée, puis retirer la prise de courant.

- Seule une personne spécialisée dans l'entretien et la réparation de tels appareils électro-mécaniques et qui détient le permis exigé par la loi du pays concerné pour effectuer les travaux en question, peut réaliser d'éventuels changements sur les fiches de l'appareil ou la prise secteur.
- Avant de commencer un entraînement, quel qu'il soit, consultez votre médecin.
- En cas de vertige, nausées, douleur dans la poitrine ou autres symptômes anormaux, interrompez la séance immédiatement et consultez un médecin.
- N'effectuez jamais d'autres opérations de réglage et d'entretien que celles mentionnées dans ce guide et suivez bien les conseils d'entretien qui y sont donnés. Veillez à ce que, durant l'assemblage et l'entretien de l'appareil, l'appareil est éteint et débranché.
- L'appareil ne doit pas être utilisé par des personnes dont le poids excède 135 kg.
- Pour information complémentaire sur la garantie de votre équipement de fitness, veuillez consulter la brochure de garantie livrée avec l'appareil. Veuillez noter que la garantie ne couvre pas les dommages causés par un manque de précaution quant aux instructions de montage et d'entretien décrites dans ce mode d'emploi.

CONSERVEZ CES INSTRUCTIONS!

ASSEMBLAGE

Nous recommandons que l'appareil soit monté par deux adultes. Sortez le tapis de course pas de sa boîte: protégez le sol en utilisant l'emballage de l'équipement comme protection durant la montage.

Avant d'assembler l'appareil, vérifiez que toutes les pièces sont en votre possession :

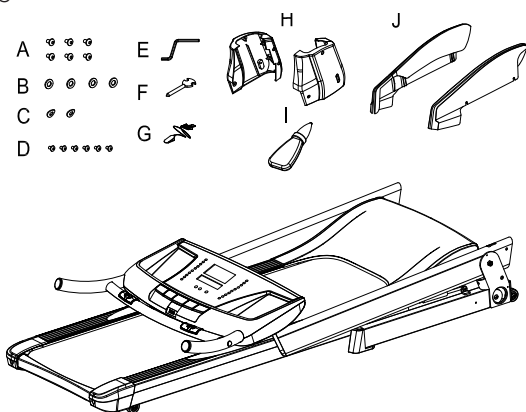
- 1- Le châssis
- 2- Le cordon d'alimentation
- 3- Le kit d'assemblage (le contenu est indiqué par * dans la liste des pièces détachées) : conservez les outils de montage car vous pourrez en avoir besoin pour régler l'appareil par exemple.

En cas de problème, contactez votre revendeur Tunturi. Les termes gauche, droit, avant et arrière sont définis par rapport à la position d'exercice. Pour éviter toute blessure, vous devez déplier la piste avant de sortir le tapis de course de sa boîte.

ETAPE 1

Prenez le sachet contenant les pièces et le matériel apparaissant dans la liste ci-dessous.

Figure 1

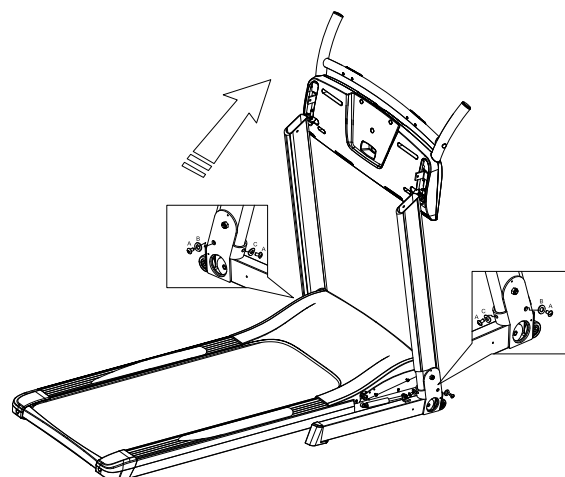


Part#	Description	Q'TY
A	Screw M8x20L	6
B	Washer Ø8xØ18	2
C	Washer Ø10xØ25	4
D	Screw M4x6L	6
E	Allen Key	1
F	Screwdriver	1
G	Safety Key	1
H	Side Cap	2
I	Lube	1
J	Incline Bracket Cover	2

ETAPE 2

Relevez le montant, puis placez les vis (A) et les rondelles (B, C) dans les trous situés en bas du châssis. Utilisez le tournevis (F) pour les serrer à fond.

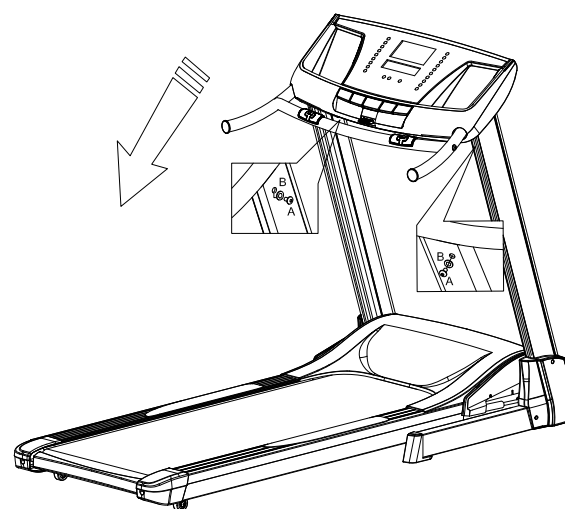
Figure 2



ETAPE 3

Mettez la console dans la bonne position. Utilisez le clé Allen (E) pour serrer les vis (A) et les rondelles (B) dans les trous de la partie supérieure du châssis.

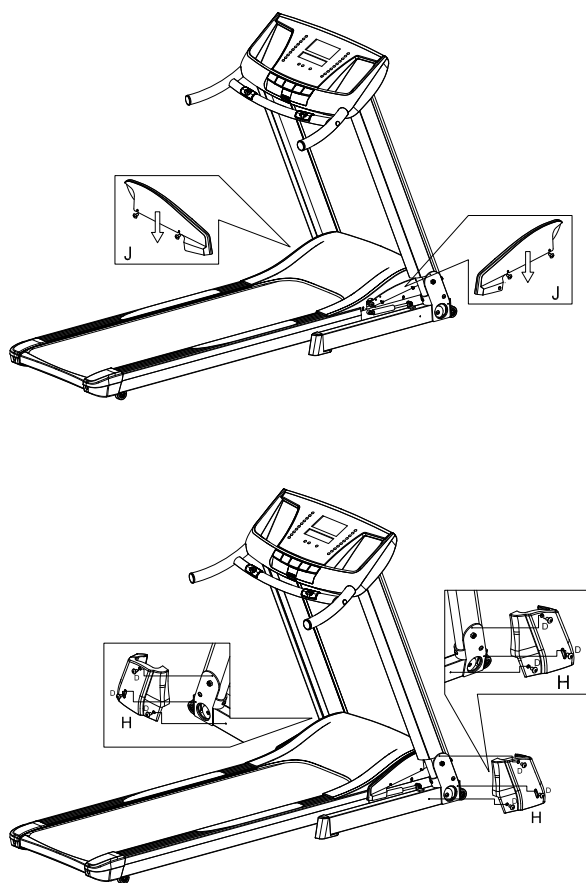
Figure 3



ETAPE 4

Fixez la plaque de fixation (H) à l'aide des vis (D) en bas du châssis, puis serrez-les à fond.

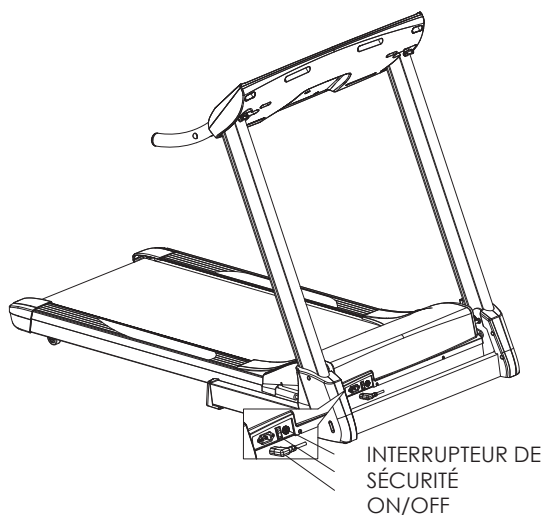
Figure 4



⚠ ATTENTION!

La machine s'éteint lorsque la charge électrique est supérieure à ses capacités. Pour redémarrer la machine, suivez les instructions ci-dessous :

- A. Débranchez le cordon d'alimentation de la prise située sur la machine.
- B. Appuyez sur l'interrupteur de sécurité.
- C. Rebranchez le cordon d'alimentation sur la prise de la machine.



Ne pas appuyer sur l'interrupteur de sécurité avant d'avoir débranché le cordon d'alimentation de la machine.

Si le tapis de course reste branché après que la console ait été arrêté, le courant circule toujours jusqu'à la console. Ce tapis de course est équipé d'un programme de contrôle de sécurité qui éteint automatiquement la machine lorsqu'elle n'est pas utilisée pendant six heures. En cas d'arrêt automatique, veuillez suivre la procédure ci-après pour redémarrer le tapis de course :

- A Débranchez le cordon d'alimentation de la prise située sur la machine.
- B Rebranchez le cordon d'alimentation sur la prise de la machine pour redémarrer celle-ci.

CONSOLE



FONCTIONS PRINCIPALES

Touches de fonctionnement principales :

1. ELEVATION + (INCLINAISON +) :

- a. Augmente le taux d'inclinaison de 0 à 12 % comme indiqué sur l'écran INCLINE / ELEVATION (RYTHME CARDIAQUE / INCLINAISON). Chaque appui augmente le taux de 1%. Une pression maintenue de 2 secondes permet d'accélérer l'augmentation du taux.
- b. Appuyez sur ce bouton pour choisir le type de programme : P1, P2, P3, P4, ... , U1, ou U2.

2. ELEVATION - (INCLINAISON -) :

- a. Réduit le taux d'inclinaison de 0 à 12 % comme indiqué sur l'écran INCLINE / ELEVATION (RYTHME CARDIAQUE / ELEVATION). Chaque pression réduit le taux de 1 %. Une pression maintenue de 2 secondes permet d'accélérer l'augmentation du taux.
- b. Appuyez sur ce bouton pour choisir le type de programme P1, U3, U2, U1, P9, P8, P7, P6, P5, P4, P3 et P2.

3. POWER (ALIMENTATION) : Appuyez sur ce bouton mettre sous tension ou éteindre le tapis de course.

4. START/STOP (DEMARRER/ARRETER) : Démarre ou arrête le programme.

5. SELECT (PARCOURIR/SELECTIONNER) :

- a. Permet de passer d'un programme à un autre dans l'ordre. 12 programmes sont disponibles. L'ordre est P1, P2, P3, P4, ... , USER SETTING 1 (PARAMETRE UTILISATEUR 1) et USER SETTING 2 (PARAMETRE UTILISATEUR 2).
- b. Lors de la phase d'exercice, appuyez sur ce bouton pour parcourir les fonctions de rythme cardiaque et d'inclinaison.

6. ENTER/RESET (SAISIR/REINITIALISER) :

- a. Appuyez sur ce bouton pour confirmer le programme ou la valeur de paramètre choisi.
- b. Maintenez la touche enfoncée pendant deux secondes pour réinitialiser toutes les valeurs au mode initial.

7. SPEED + (VITESSE +) :

- a. Ce bouton permet d'augmenter la vitesse de 0,8 à 20



KM/H ou de 0,5 MPH à 12,5 MPH affichés sur l'écran SPEED (Vitesse). Chaque pression augmente la vitesse de 0,1 KM/H ou de 0,2 MPH. Une pression maintenue de plus de 2 secondes permet d'augmenter la vitesse plus rapidement.

b. Appuyez sur ce bouton pour choisir le type de programme : P1, P2, P3, P4, ... U1, ou U2.

8. SPEED - (VITESSE -) :

a. Ce bouton permet de réduire la vitesse de 0,8 à 20 KM/H ou de 0,5 MPH à 12,5 MPH affichés sur l'écran SPEED (Vitesse). Chaque pression réduit la vitesse de 0,2 KM/H ou de 0,1 MPH. Une pression maintenue de plus de 2 secondes permet de réduire la vitesse plus rapidement.

b. Appuyez sur ce bouton pour choisir le type de programme : P1, U3, U2, U1, P9, P8, P7, P6, P5, P4, P3 ou P2.

Touches d'accès rapide à la vitesse :

6 touches d'accès rapide à la vitesse sont paramétrées sur 4, 6, 8, 10 et 12 KM/H ou sur 2, 4, 6, 8, 10 MPH. La vitesse peut passer par exemple de n'importe quelle vitesse à 8 KM/H en appuyant sur la touche d'accès rapide 8.

Touches d'accès rapide à l'inclinaison :

6 touches d'accès rapide à l'inclinaison sont paramétrées sur 2, 4, 6, 8 et 10 %. L'inclinaison peut passer par exemple de n'importe quel niveau à 4 % en appuyant sur la touche d'accès rapide 4.

Touches d'accès rapide à la vitesse :

1 + : Même fonction que le bouton Speed +.
2. - : Même fonction que le bouton Speed -.

Touches d'accès rapide à l'inclinaison :

+ : Même fonction que le bouton Incline +.
- : Même fonction que le bouton Incline -.

AFFICHAGES ET

PLAGES DE FONCTIONNEMENT

A. AFFICHAGE DU TEMPS (TIME) : indique la durée de l'exercice avec compteur croissant ou décroissant. Lorsque le tapis de course n'est pas en fonctionnement et que la CLE DE SURETE est activée, la durée peut être choisie en appuyant sur ENTER (SAISIR), puis en réglant à l'aide de « + » et « - ». La plage de réglage par ordre croissant est de 00:00 à 99:59 et de 10:00 à 99:00 par ordre décroissant. Lorsque 00:00 est atteint, le moniteur émet 12 fois un bip, puis le tapis de course s'arrête.

B. AFFICHAGE DE LA VITESSE (SPEED) : indique la vitesse à laquelle le tapis de course fonctionne. La vitesse peut être réglée en appuyant sur les boutons « SPEED+ » et « SPEED- » pour atteindre une vitesse de 0,5 à 12 MPH ou de 0,8 à 20 KM/H.

C. AFFICHAGE DE LA DISTANCE (DISTANCE) : affiche la distance dans le sens croissant ou décroissant lorsque le tapis est en fonctionnement et que la CLE DE SURETE est activée. Vous pouvez faire votre choix en appuyant sur « ENTER » (SAISIR) ; puis régler en appuyant sur SPEED +/- ou ELEVATION +/- . La plage du compteur dans le sens croissant est de 0,00 à 999 KM/H/MPH et de 999 à 0,00 dans le sens décroissant. Lorsque le compte à rebours se fait dans le sens décroissant, le moniteur émet 12 fois un bip, puis le tapis de course s'arrête.

D. AFFICHAGE DES CALORIES (KCAL) : affiche les calories dans le sens croissant ou décroissant lorsque le tapis est en fonctionnement et que la CLE DE SURETE est activée. Vous pouvez faire votre choix en appuyant sur « ENTER » (SAISIR) ; puis régler en appuyant sur SPEED +/-

ou ELEVATION +/- . La plage du compteur dans le sens croissant est de 0,00 à 999 KCAL et de 999 à 0,00 dans le sens décroissant. Lorsque le compte à rebours se fait dans le sens décroissant, le moniteur émet 12 fois un bip, puis le tapis de course s'arrête.

E. AFFICHAGE DU RYTHME CARDIAQUE ET DE L'INCLINAISON (INCLINE / ELEVATION) : la valeur affichée par défaut est la fréquence du pouls. Le témoin HEART RATE (RYTHME CARDIAQUE) est allumé. Lors du réglage, la valeur passe à celle de l'inclinaison en %, et le témoin ELEVATION est allumé.

INSTRUCTIONS DE FONCTIONNEMENT

(à lire attentivement avant d'utiliser le tapis de course)

A. CONSEILS DE SÉCURITÉ :

Mettez d'abord l'appareil sous tension et attachez la clé de verrouillage de sécurité au moniteur. Notez que la machine ne fonctionne pas et que le voyant lumineux est éteint lorsque la clé de verrouillage de sécurité est attachée. Attachez l'autre extrémité de cette dernière à l'utilisateur avant qu'il fasse de l'exercice, et ce, afin de s'assurer que la machine s'arrête dans l'éventualité où l'utilisateur courrait accidentellement en dehors du tapis. Si tel est le cas, la clé de verrouillage de sécurité est désactivée sur le moniteur et le tapis s'arrête immédiatement pour éviter que l'utilisateur ne se blesse.

B. SÉLECTION DES PROGRAMMES :

17 programmes sont disponibles : 15 programmes de présélection et 2 programmes de réglages utilisateur. Vous pouvez choisir ces programmes en appuyant sur la touche « SELECT » (PARCOURIR/SELECTIONNER).

C. GRAPHIQUE DU PROGRAMME :

Les graphiques de l'affichage PROGRAM (PROGRAMME) reflètent la modification du profil de la vitesse ainsi que de l'inclinaison lors de l'exercice. 10 colonnes au total apparaissent sur l'écran. Si la valeur TIME (DUREE) n'est pas paramétrée, chaque programme dure 20 minutes, c'est à dire 2 minute pour chaque colonne. Si la valeur TIME (DUREE) est paramétrée, les intervalles varient.

D. FAIRE DE L'EXERCICE DANS UN BUT SPÉCIFIQUE :

Dans tous les programmes, l'utilisateur peut changer les valeurs de la durée (TIME) avant de faire de l'exercice. Appuyez sur la touche « ENTER » (SAISIR) pour sélectionner ces valeurs, puis sur INCLINE + - et SPEED + - pour les modifier. Si les valeurs ne sont pas modifiées, elles sont sur 0. Les utilisateurs peuvent alors courir aussi longtemps qu'ils le souhaitent jusqu'à ce que la durée soit désactivée. Les utilisateurs peuvent également saisir la valeur de la durée qu'ils désirent pour le compte à rebours. Par exemple, si la durée est configurée sur 10 minutes, le tapis de course s'arrête au bout de 10 minutes.

E. RYTHME CARDIAQUE :

Vous pouvez mesurer votre rythme cardiaque de deux façons. La première s'effectue à l'aide du capteur de pulsation relié à votre main. La seconde s'effectue à l'aide de la ceinture thoracique. Le pulsomètre fonctionne grâce aux capteurs situés dans les reposes-mains qui mesurent le pouls à chaque fois que l'utilisateur touche simultanément les deux capteurs. Pour obtenir une lecture fiable, la peau doit être en contact constant avec les capteurs et légèrement moite. Une peau trop sèche ou trop humide affaiblit le fonctionnement du pulsomètre. Notez que si, durant l'exercice, l'impact des

pieds sur le tapis est très important, cela peut provoquer des interférences, qui elles, peuvent amoindrir la fiabilité de la mesure du pulsomètre. Pour garantir une meilleure fiabilité d'utilisation du pulsomètre, nous recommandons de mesurer le pouls soit en marchant, soit en se tenant debout immobile sur le rebord du tapis ou en arrêtant le tapis.

GÉNÉRALITÉS SUR L'ENTRAÎNEMENT

A PROPOS DE SANTE

- Pour éviter les raideurs et les courbatures, commencez et terminez vos séances d'entraînement par des étirements.

A PROPOS DU LOCAL

- Run 1.0 ne doit pas être utilisé à l'extérieur. L'appareil supporte des températures de +10°C à +35°C. L'hygrométrie ne doit jamais excéder 80 %.
- Installer l'appareil sur une surface plane et ferme. Laissez au moins 100 cm d'espace libre devant et sur les côtés et au moins 100x200 cm derrière.
- Assurez-vous que la pièce où vous vous entraînez bénéficie d'une ventilation adéquate. Pour éviter les coups de froid, ne vous entraînez pas dans un endroit balayé par les courants d'air.

A PROPOS DE L'UTILISATION DE L'EQUIPEMENT

- Assurez-vous que l'appareil est bien débranché avant d'entamer toute procédure d'assemblage ou de maintenance.
- Coupez toujours l'alimentation de votre appareil à la fin de votre séance d'entraînement.
- Les parents ou autres adultes responsables doivent penser que la curiosité naturelle des enfants, généralement joueurs, peut conduire à des situations et des comportements pour lesquels l'appareil n'est pas prévu. Si des enfants sont autorisés à utiliser votre appareil sportif, ils doivent apprendre à le faire correctement et sous surveillance. Tenez compte de leur développement physique et intellectuel, ainsi que de leur personnalité.
- N'utilisez l'appareil qu'une seule personne à la fois.
- Gardez vos mains éloignées des pièces en mouvement.
- Portez toujours des vêtements et des chaussures appropriés lors des séances d'exercice.
- Suivant le revêtement du sol, il peut être préférable d'installer l'appareil sur un tapis protecteur.
- Vérifiez toujours que toutes les pièces de protection de l'appareil sont bien en place.
- Avant de commencer à utiliser l'appareil, assurez-vous qu'il fonctionne correctement sur tous les points. N'utilisez pas un appareil défectueux.

POUR COMMENCER VOTRE EXERCICE

- Interrompez immédiatement la session et consultez votre médecin si vous êtes pris de nausées ou de vertiges ou sentez d'autres symptômes anormaux pendant l'entraînement.
- Afin d'éviter toutes douleurs musculaires, commencez et terminez vos sessions par des mouvements d'échauffement et d'étirement.
- Ne montez jamais directement sur le tapis mais toujours d'abord sur les bords fixes.

- Prenez toujours appui sur la barre de soutien, que vous montiez sur l'appareil ou en descendiez et également au cours de chaque changement de vitesse. Ne sautez jamais d'un tapis en marche !

POUR TERMINER VOTRE EXERCICE

- Ne laissez jamais la clé de verrouillage de sécurité sur votre appareil.
- Eteignez votre appareil à l'aide de l'interrupteur secteur situé sur le bord avant.
- Au besoin, par exemple si vous avez sué, nettoyez votre appareil avec un chiffon humide. N'employez pas de solvant.
- Retirez le fil électrique et rangez-le dans un endroit inaccessible aux enfants.

COMMENT VOUS MOTIVER POUR PERSEVERER?

S'il est facile de commencer une activité physique, il est plus facile encore de l'interrompre ! Pour atteindre les objectifs que vous vous êtes fixés, il vous faut entretenir votre motivation et persévérer jusqu'au terme final : une santé durable pour une meilleure qualité de vie. Souvenez-vous :

- fixez-vous des objectifs réalistes
- progressez d'une étape à la fois, conformément à votre programme
- tenez un journal d'entraînement où vous inscrirez vos progrès
- changez votre mode d'entraînement de temps à autre
- faites preuve d'imagination
- apprenez l'autodiscipline

La diversité est un aspect important de votre entraînement. Varier les exercices permet de travailler des groupes de muscles différents et d'entretenir votre motivation.

RYTHME CARDIAQUE

Le pouls peut être mesuré à l'aide d'un émetteur sans fils, l'unité des compteurs étant équipée d'un récepteur de pulsations.

Quel que soit votre objectif, vous obtiendrez les meilleurs résultats en vous entraînant à un niveau d'effort approprié, le meilleur contrôle étant votre pouls. Déterminez d'abord votre rythme cardiaque maximum c'est à dire le rythme à partir duquel le pouls n'augmente plus, même si l'effort est accru. Si vous ne connaissez pas votre pouls maximum, utilisez ce formule indicative :

220 - AGE

Notez bien que c'est là une valeur moyenne et que les maxima varient d'une personne à l'autre. Le pouls maximum diminue, en moyenne, d'une pulsation par année. Si vous faites partie d'un group "à risque" , consultez un médecin pour qu'il mesure votre pouls maximum. Nous avons déterminé trois zones de pouls pour vous aider dans vos entraînements soumis à un objectif.

DÉBUTANT : 50-60 % du pouls maximum

Ce niveau convient aussi aux personnes désirant perdre du poids ou n'ayant pas pratiqué d'activité physique depuis longtemps ainsi qu'aux convalescents. Il est recommandé de s'entraîner au moins une demi-heure trois fois par semaine. Un exercice régulier améliore, de façon décisive, les performances respiratoires et

circulatoires du débutant et les effets d'une meilleure forme sont très vite ressentis.

ENTRAÎNEMENT : 60-70 % du pouls maximum

Ce niveau est parfait pour l'amélioration et le maintien d'une bonne condition physique. Il permet de renforcer le cœur et les poumons tout en respectant un effort raisonnable. S'entraîner au moins trois fois par semaine pendant une demi-heure minimum. Pour progresser davantage, augmentez soit la fréquence soit la durée des séances mais pas les deux en même temps!

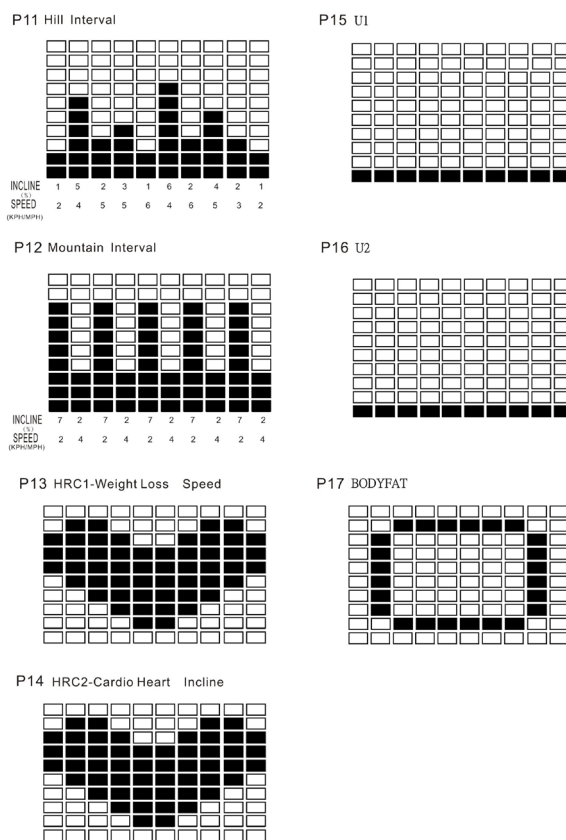
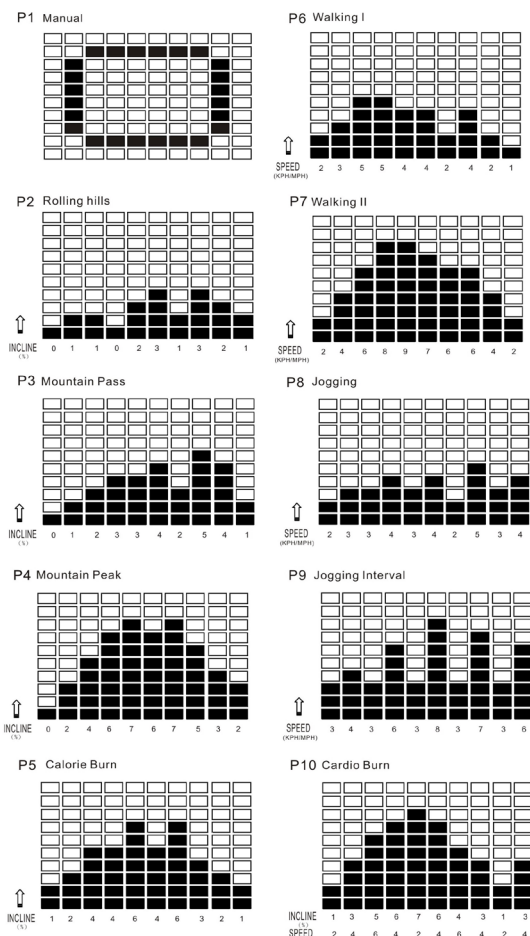
ENTRAÎNEMENT ACTIF : 70-80 % du pouls maximum

L'exercice à ce niveau ne convient qu'aux personnes en excellente condition physique et suppose un entraînement antérieur de longue date.

FONCTIONNEMENT

1. Mettez la clé de sécurité en position.
2. Poussez sur la touche POWER. L'écran s'allume. La fenêtre du programme affiche ENTER WEIGHT. Poussez sur les touches +/- pour entrer votre poids.
3. Poussez sur ENTER pour confirmer la valeur. La fenêtre du programme affiche SELECT PROGRAM OR PRESS START.
4. Poussez sur SELECT et sélectionnez le programme (1-9) ou l'utilisateur (1-3) à l'aide des touches SPEED +/- ou INCLINE +/-.

PROGRAMMES 1 - 17



RÉGLAGE DES PROFILS:

1. Dans la fenêtre du programme, la première colonne de diodes s'allume. Poussez sur les touches SPEED +/- pour régler la vitesse souhaitée et sur les touches INCLINE +/- pour régler l'inclinaison souhaitée.
2. Poussez sur ENTER pour confirmer le profil de la première colonne.
3. Continuez pour tous les profils, colonne par colonne.

ENTRETIEN

Le matériel peut être utilisé en toute sécurité lorsqu'il est entretenu et vérifié régulièrement.

NETTOYAGE DE L'APPAREIL ET LUBRIFICATION DE LA PLAQUE DE BASE

L'absence de lubrification du tapis de course peut entraîner l'annulation de la garantie!

Nettoyez la barre de soutien et l'unité des compteurs à l'aide d'un chiffon humide. N'utilisez pas de solvant. Dépoussiérez les parties visibles du châssis (entre autres tapis, plateforme et bords) régulièrement à l'aide d'un aspirateur avec bouche d'aspiration de petite taille. Passez aussi le dessous du tapis à l'aspirateur. Veillez à ce que l'environnement du tapis de course soit propre. À l'usage, le tapis de course accumule de la poussière par ex. ce qui peut poser des problèmes dans le fonctionnement de l'appareil.

Dans le cas d'une utilisation moyenne à la maison (60 minutes par jour maximum), vérifiez la lubrification une fois par mois. Cependant, ne lubrifiez la courroie que



si nécessaire. Si l'utilisation du tapis de course est plus intensive, la lubrification doit être vérifiée plus souvent. Il est préférable de le faire avant chaque séance d'entraînement. Pour vérifier la lubrification, procédez comme suit :

1. Assurez-vous que le tapis de course est éteint. Montez sur la courroie de course et placez-vous à l'emplacement où vous courez normalement.
2. Prenez appui avec vos mains sur le guidon et poussez la courroie avec vos pieds d'avant en arrière. La courroie doit alors se déplacer doucement et régulièrement, sans bruit.
3. Si vous remarquez des mouvements brusques ou si la courroie ne se déplace pas, vérifiez la lubrification en passant votre main sous la courroie.

Pour lubrifier, procédez comme suit :

1. Fixez l'embout de pulvérisation sur le tube T-Lube S.
2. Soulevez le tapis et bloquez-le.
3. Placez le pulvérisateur entre le tapis et la planche. Dirigez le pulvérisateur le plus près possible du centre de la planche de course.
4. Pulvérisez le lubrifiant pendant 2-3 secondes.
5. Abaissez le tapis en position normale. Exécutez votre séance d'entraînement sur le tapis de course ou faites fonctionner le tapis de course pendant au moins 5 minutes.

! ATTENTION ! Pour lubrifier votre tapis de course, utilisez uniquement un lubrifiant silicone T-Lube S. Si vous souhaitez acheter du lubrifiant T-Lube ou obtenir des informations sur la lubrification et la maintenance, contactez votre distributeur Tunturi local.

REGLAGE DE L'ALIGNEMENT DU TAPIS

Surveillez la course de tapis pendant l'entraînement et effectuez immédiatement les opérations de réglage décrites ci-dessous si nécessaire. En marche, le tapis doit tourner bien en ligne. En général, le tapis n'a pas à être réaligné, si

- l'appareil a été placé sur une surface bien plane et le tapis est tendu comme il faut
- l'alignement de l'appareil est correct

A l'usage cependant, du fait par exemple que le mouvement de course de l'utilisateur peut être irrégulier, il peut arriver que le tapis se mette à dévier sur le côté. Si le tapis dévie pour déborder sur l'un des côtés, procédez comme suit :

1. Réglez la vitesse à 5 km/h.
2. Si le tapis dévie vers la gauche, tourner la vis gauche se trouvant à l'arrière du tapis d'un huitième de tour dans le sens horloge et la vis droite d'un huitième de tour dans le sens inverse. Tourner les vis d'un huitième de tour influe déjà grandement sur la course du tapis et il est donc conseillé de tourner les vis peu à la fois. Si par contre le tapis dévie vers la droite, tourner la vis droite se trouvant à l'arrière du tapis d'un huitième de tour dans le sens horloge et la vis gauche d'un huitième de tour dans le sens inverse.
3. Vérifiez que le tapis tourne maintenant bien en ligne. Dans le cas contraire, poursuivez comme indiqué précédemment. Ce réglage est important car si on laisse le tapis dévier sur un côté, il risque d'apparaître des anomalies de fonctionnement. La garantie ne couvre pas ces anomalies éventuelles.

REGLAGE DE LA TENSION DU TAPIS

Si en utilisation le tapis commence à patiner, il faudra régler sa tension. Laissez tout de même toujours le plus de jeu possible. Le réglage de la tension s'effectue à l'aide des mêmes vis que ceux de l'alignement.

1. Réglez la vitesse à 5 km/h.
2. Tourner les deux vis d'un huitième de tour dans le sens horloge.
3. Ralentissez la marche du tapis en faisant comme si vous descendiez le long d'une pente raide. Si le tapis continue à patiner, répétez les points 2 et 3.

Remarquez que si vous ralentissez trop fortement, il est normal que le tapis se mette à patiner. Si le tapis patine en permanence malgré les réglages, contactez votre vendeur.

DEFAUTS DE FONCTIONNEMENT

! ATTENTION ! En dépit d'un contrôle continu de la qualité, l'appareil peut présenter des défauts ou des anomalies de fonctionnement provenant de certains de ses composants. Dans ce cas, il n'est pas cependant nécessaire d'aller faire réparer votre appareil, le problème pouvant bien souvent être résolu par simple changement de la pièce défectueuse.

Si votre tapis se comporte de façon anormale, placer l'interrupteur en position OFF et attendez environ 1 minute. Remettez le tapis en marche et vérifiez que l'anomalie a disparu. Si l'anomalie a disparu, vous pouvez utiliser votre appareil de façon normale. Si l'anomalie n'a pas disparu, contactez votre vendeur.

Contactez votre distributeur au cas où vous remarqueriez un défaut ou un mauvais fonctionnement de votre l'appareil ou si vous avez besoin de pièces de rechange. Indiquez-lui la nature du problème, les conditions d'utilisation, la date d'achat, le modèle et le numéro de série. Vous trouverez la liste des pièces détachées à la fin de ce mode d'emploi.

CODER D'ERREUR

Lorsqu'elle détecte un défaut de fonctionnement, l'interface affiche un code d'erreur sur l'écran.

E1 : Mauvais fonctionnement du capteur de vitesse. Retirez le fil électrique, attendez une minute et remettez en marche. Si le message d'erreur n'apparaît plus, vous pouvez utiliser l'appareil normalement. Si le message d'erreur ne disparaît pas, prendre contact avec le vendeur de l'appareil.

E6, E7 : Mauvais fonctionnement du moteur de levage. Retirez le fil électrique, attendez une minute et remettez en marche. Si le message d'erreur n'apparaît plus, vous pouvez utiliser l'appareil normalement. Si le message d'erreur ne disparaît pas, prendre contact avec le vendeur de l'appareil.



DISPOSITIF DE PROTECTION À MAXIMUM DE COURANT (DISJONCTEUR)

Si la consommation électrique du tapis de course devient trop importante, par mesure de sécurité le disjoncteur du tapis coupe l'alimentation électrique et le fusible situé à côté de l'interrupteur électrique saute vers le haut. Avant de continuer à utiliser l'appareil, vérifiez tout particulièrement la lubrification du tapis ainsi que les autres causes mécaniques possibles à un déclenchement du disjoncteur. Appuyez sur le fusible pour le remettre en place et l'appareil est de nouveau prêt pour son utilisation.

TRANSPORT ET RANGEMENT

DÉPLIER LE TAPIS DE COURSE

Une fois le montage terminé, vous pouvez déplier le tapis de course verticalement pour l'entreposer. Relevez le plateau jusqu'à ce qu'il se verrouille en position de stockage.

Assurez-vous d'entendre le son du verrouillage du plateau afin d'avoir la garantie que ce dernier est en place et ne tombera pas.

⚠ ATTENTION : Vérifiez que l'inclinaison du tapis de course est sur 0 avant de déplier le plateau. Si ce n'est pas le cas, le mécanisme peut être endommagé.

POUR BAISSER LE TAPIS DE COURSE

Appuyez d'abord sur la pédale, puis poussez le cadre vers la console. Laissez le plateau s'abaisser vers le sol (Figure 6).

⚠ REMARQUE : Cet appareil dispose d'une fonctionnalité de déploiement sécurisé intégrée afin de vous aider à baisser le plateau doucement. Assurez-vous que des enfants ou des objets ne se trouvent pas à proximité de l'appareil lorsque vous le baissez.

⚠ REMARQUE : manipulez l'appareil avec précaution même s'il est conçu avec un cylindre un gaz qui enlève la majorité du poids du plateau.

Avant de déplacer le Run 1.0, vérifiez que le cordon d'alimentation est débranché de la prise murale et du tapis de course. Pliez le tapis jusqu'à ce qu'il soit verrouillé et poussez le matériel grâce à ses roues conçues pour le transport. Baissez le tapis de course sur le sol avec précaution.

Nous vous recommandons d'utiliser une base de protection lors du transport du matériel.

Figure 5

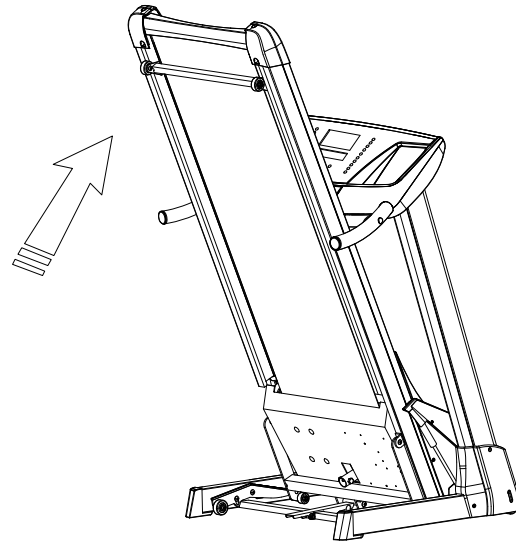
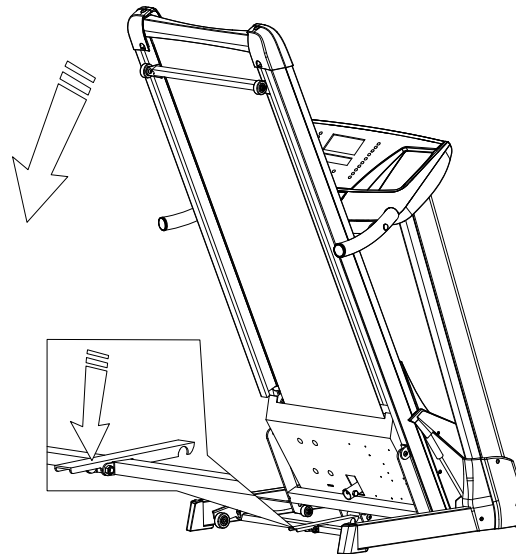


Figure 6



CARACTERISTIQUES TECHNIQUES

Longueur	193 cm (93 cm)
Hauteur	140 cm (181 cm)
Largeur	91 cm
Poids	101 kg
Surface de course	51 x 150 cm
Vitesse	0,8-20,0 km/h
Angle d'inclinaison	0-12 %
Moteur	2,0 ch

Les appareils Tunturi ont été conçus afin de satisfaire aux exigences posées par la directive communautaire concernant la compatibilité électromagnétique, EMC (89/336/CEE) et les appareils électriques destinés à une utilisation dans certaines limites de tensions (72/23/CEE). Les produits portent en conséquence le label CE.

Du fait de sa politique de développement continu des produits, Tunturi se réserve le droit de modifier les spécifications sans préavis.

⚠ ATTENTION ! La garantie ne couvre pas les dommages dus à une négligence des instructions d'assemblage, de réglages ou de maintenance données dans ce mode d'emploi. Suivez les instructions scrupuleusement pour l'assemblage, l'utilisation et la maintenance de votre équipement. Des changements ou modifications non expressément approuvés par Tunturi-Fitness rendront nulle l'autorité de l'utilisateur sur l'équipement.

Nous vous souhaitons d'agréables et nombreuses séances d'exercice avec votre partenaire d'entraînement Tunturi!

INHOUD

MONTAGE	27
MONITOR	29
FITNESS TRAINING	30
WERKING	31
ONDERHOUD	32
TRANSPORT EN OPSLAG	33
TECHNISCHE GEGEVENS	34

WELKOM IN DE WERELD VAN TUNTURI TRAINING!

Uw keuze toont aan, dat u echt in uw gezondheid en conditie wilt investeren. Het bewijst ook, dat u kwaliteit en stijl belangrijk vindt en waardeert. Met deze Tunturi trainer heeft u een veilig, motiverend kwaliteitsproduct als trainingspartner gekozen. Wat uw trainingsdoel ook is, wij zijn ervan overtuigd dat de keuze van deze trainer de juiste is om uw doel te bereiken. Meer informatie over het gebruik van uw trainingsapparatuur en efficiënte training kunt u vinden op Tunturi's website WWW.TUNTURI.COM

OPMERKINGEN EN ADVIEZEN

Deze gids is een essentieel onderdeel van uw Tunturi looptrainer. Lees deze gids zorgvuldig door vóórdat u begint met monteren, gebruiken of onderhouden van uw looptrainer. Bewaar de gids op een handige plaats. U kunt er, nu en in de toekomst, nuttige informatie uithalen die u nodig heeft voor het gebruik en het onderhoud van de apparatuur. Volg de instructies altijd zorgvuldig op.

- De trainer mag alleen worden aangesloten op een geaard stopcontact. Het stroomverbruik bedraagt maximaal 10 A. Het gebruik van een verlengsnoer is niet toegestaan. Spanningsfluctuaties van meer dan 10% kunnen storingen in de werking van de trainer veroorzaken of de elektronische componenten beschadigen. Indien de netspanning onvoldoende gereguleerd is of de trainer anderszins niet overeenkomstig deze gebruiksaanwijzing wordt aangesloten, vervalt de garantie.
- De Run 1.0 mag alleen worden aangesloten op een geaard stopcontact. Het gebruik van een verlengsnoer is niet toegestaan.
- Beperk u tot het onderhoud en instellingen zoals in deze handleiding worden beschreven. Stop direct als zich andere problemen voordoen en vraag advies bij uw Tunturi specialist.
- Laat door een arts, voordat u met trainen begint, uw gezondheid controleren.
- Mocht u tijdens het trainen last krijgen van misselijkheid, duizeligheid of andere niet normale verschijnselen, stop dan direct uw training en raadpleeg een arts.
- Bij het afstellen en het onderhouden van de trainer dient u deze gebruiksaanwijzing op te volgen. Bij montage- en onderhoudswerkzaamheden dient u eerst de hoofdschakelaar van de looptrainer, uit te schakelen en de stekker uit het stopcontact te

nemen.

- De Run 1.0 mag niet worden gebruikt door personen die zwaarder zijn dan 135 kg.
- Gebruik de looptrainer alleen binnenshuis. De ideale gebruikstemperatuur is tussen +10°C en +35°C. De luchtvochtigheid mag nooit hoger dan 90% zijn.
- Nadere informatie over de garantie op uw trainingstoestel vindt u in het bijgesloten garantieboekje. De garantie vervalt bij schade ontstaan tijdens de verzending of door het niet volgen van de in deze handleiding gegeven instructies betreffende het monteren, afstellen en onderhoud van het apparaat.

MONTAGE

We raden u aan om het apparaat met twee volwassen personen te monteren. Neem de loopband niet uit de doos: ter bescherming van de vloer kunt u bij de montage de verpakking als ondergrond gebruiken.

Kijk voor de montage van het toestel na of alle onderdelen aanwezig zijn:

1. Frame
2. Netsnoer
3. Montageset (de inhoud is gemarkeerd met een * op de lijst van reserveonderdelen): bewaar de montagegereedschappen voor eventuele bijregeling van het toestel achteraf.

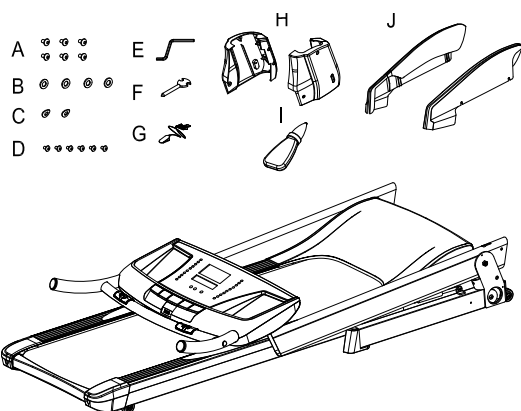
Neem in geval van problemen contact op met uw geautoriseerde Tunturi-dealer. De richtingaanduidingen links, rechts, voor en achter moeten begrepen worden vanuit de trainingspositie. Voorzichtig: vouw het loopdek op alvorens de loopband uit de doos te nemen.

STAP 1

Neem het zakje met het schroefmateriaal en de onderdelen die u op de lijst hieronder vindt.



Tekening 1

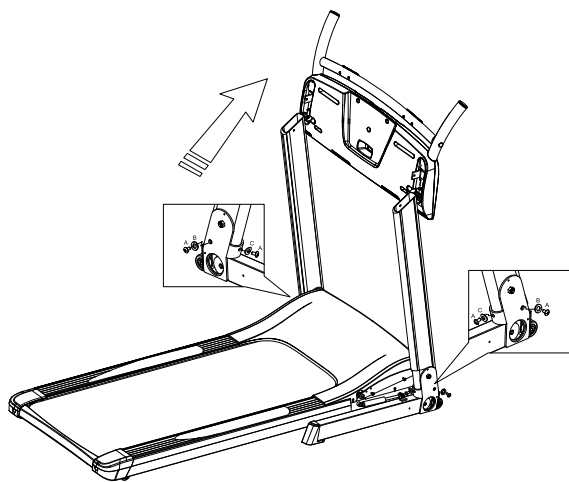


Part#	Description	Q'TY
A	Screw M8x20L	6
B	Washer Ø8xØ18	2
C	Washer Ø10xØ25	4
D	Screw M4x6L	6
E	Allen Key	1
F	Screwdriver	1
G	Safety Key	1
H	Side Cap	2
I	Lube	1
J	Incline Bracket Cover	2

STAP 2

Kantel het opstaande framedeel omhoog en plaats de schroeven (A) en ringen (B) in de gaten aan de onderkant van het opstaande framedeel. Gebruik de schroevendraaier (F) om ze goed aan te spannen.

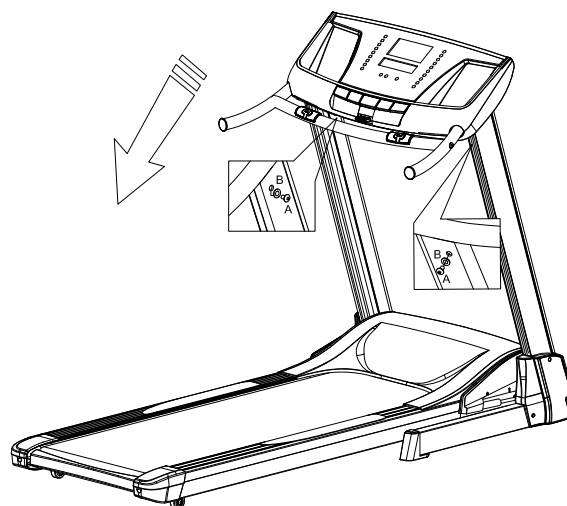
Tekening 2



STAP 3

Draai de console in de juiste positie. Gebruik de inbusleutel (E) om de schroeven (A) en de ringen (B) in de gaten bovenaan het opstaande framedeel aan te spannen.

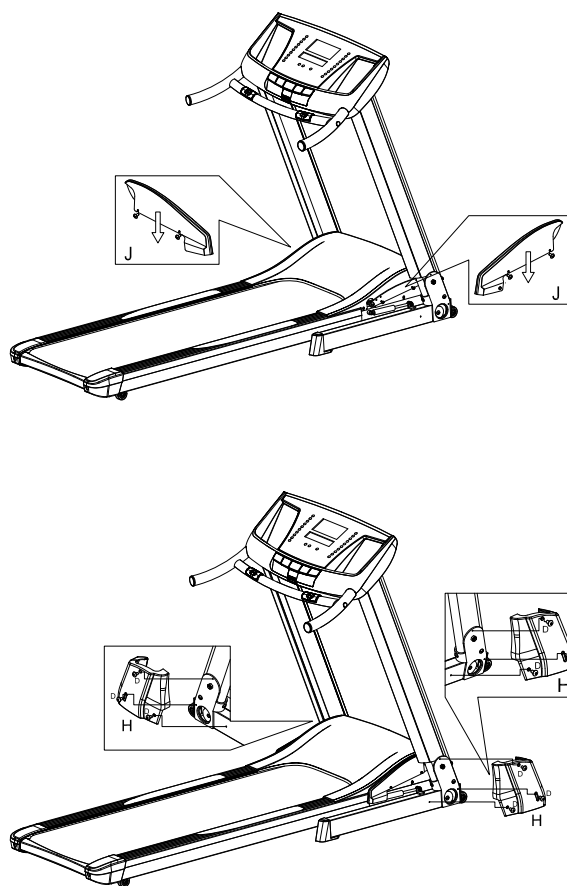
Tekening 3



STAP 4

Bevestig de zijplaten (H) met de schroeven (D) onderaan het opstaande framedeel en span goed aan.

Tekening 4



! VOORZICHTIG!

Het toestel valt automatisch uit bij overspanning. Ga als volgt te werk om het toestel te herstarten:

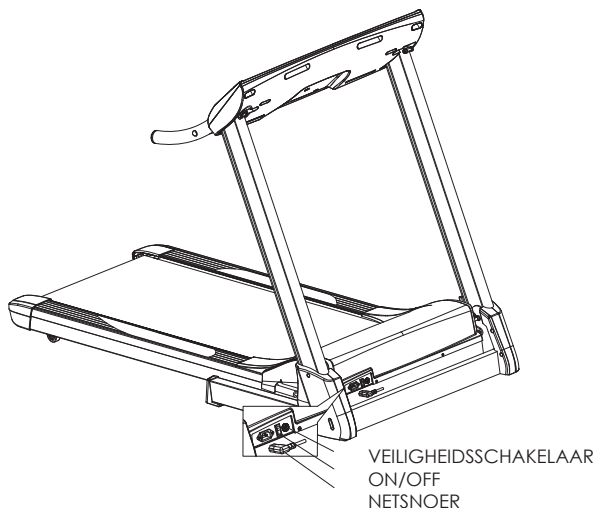
- A. Trek het netsnoer uit het toestel.
- B. Druk op de veiligheidsschakelaar
- C. Sluit het netsnoer opnieuw aan op de machine



Trek eerst het netsnoer uit en druk pas daarna de veiligheidsschakelaar in.

Indien u na het uitschakelen van de console de loopband op het net aangesloten laat, blijft de console onder stroom staan. Deze loopband is uitgerust met een veiligheidssysteem dat het toestel automatisch uitschakelt wanneer het zes uur niet gebruikt wordt. Indien het toestel automatisch uitgeschakeld werd, ga dan als volgt te werk om het toestel te herstarten:

- Trek het netsnoer uit het toestel.
- Sluit het netsnoer opnieuw aan op het toestel om te herstarten.



MONITOR



TOETSFUNCTIES

Hoofdfunctietoetsen:

1. ELEVATION +:

- Verhoogt de hellingsgraad van 0% naar 12% op het scherm INCLINE / ELEVATION. Eenmaal drukken komt overeen met 1%. Door de toets gedurende 2 seconden ingedrukt te houden stijgt de hellingsgraad sneller.
- Druk op deze toets om een programma te kiezen uit P1, P2, P3, P4, ... U1, en U2.

2. ELEVATION -:

- Verlaagt de hellingsgraad van 12 naar 0% op het scherm INCLINE / ELEVATION. Eenmaal drukken komt overeen met 1%. Door de toets gedurende 2 seconden ingedrukt te houden daalt de hellingsgraad sneller.
- Druk op deze toets om een programma te kiezen uit P1, U3, U3, U1, P9, P8, P7, P6, P5, P4, P3, P2.

3. POWER : Druk op deze toets om het toestel aan en uit te zetten.

4. START/STOP: Start of stopt het programma.

5. SELECT

- Gaat van het ene programma naar het andere in een volgorde van 12 programma's. De volgorde is P1, P2, P3, P4, ... , USER SETTING 1 en USER SETTING 2.
- Druk tijdens de training op deze toets om de functies hartslag en hellingsgraad te overlopen.

6. ENTER/RESET

- Druk op deze toets om het gewenste programma of de ingestelde waarde te bevestigen.
- Houd twee seconden ingedrukt om alle waarden terug te stellen naar de initiële modus.

7. SPEED + :

- Verhoogt de snelheid van 0,8 tot 20,0 km/u (0,5 tot 12,5 MPH) zoals getoond op het scherm SPEED. Eenmaal drukken komt overeen met 0,2 km/u of 0,1 MPH. Door de toets gedurende 2 seconden ingedrukt te houden stijgt de snelheid sneller.
- Druk op deze toets om een programma te kiezen uit P1, P2, P3, P4, ... U1, en U2.

8. SPEED - :

- Verlaagt de snelheid van 20,0 tot 0,8 km/u (12,5 tot 0,5 MPH) zoals getoond op het scherm SPEED. Eenmaal drukken komt overeen met 0,2 km/u of 0,1 MPH. Door de toets gedurende 2 seconden ingedrukt te houden daalt de snelheid sneller.
- Druk op deze toets om een programma te kiezen uit P1, U3, U3, U1, P9, P8, P7, P6, P5, P4, P3, P2.

Directe Speed toetsen:

Er zijn 6 directe Speed toetsen ingesteld als 4, 6, 8, 10 en 12 km/u of als 2, 4, 6, 8, 10 MPH. De snelheid verandert bij voorbeeld van om het even welke snelheid naar 8 km/u door op de directe Speed toets 8 te drukken.

Directe Elevation toetsen:

Er zijn 6 directe Elevation toetsen ingesteld als 2, 4, 6, 8 en 10%. De hellingsgraad verandert bij voorbeeld van om het even welke hellingsgraad naar 4% door op de directe Elevation toets 4 te drukken.

Speed Quick-Access toetsen:

- + : hetzelfde als Speed +
- : hetzelfde als Speed -

Elevation Quick-Access toetsen

- + : hetzelfde als Elevation +
- : hetzelfde als Elevation -

SCHERMEN EN WERKINGSBEREIK

A. SCHERM TIME : toont de trainingstijd optellend of aftellend. Wanneer de loopband niet in gebruik is en de veiligheidssleutel op ON staat, kan het scherm gekozen worden door op "ENTER" te drukken en dan ingesteld met "+" of "-". Het optelbereik gaat van 00:00 tot 99:59, het aftelbereik van 10:00 tot 99:00. Na het aftellen tot 00:00 geeft de monitor 12 biepsignalen en stopt de loopband.

B. SCHERM SPEED : toont de snelheid die de loopband levert. Kan ingesteld worden met de toetsen "SPEED +" en "SPEED -" van 0,5 tot 12 MPH of van 0,8 tot 20 km/u.

C. SCHERM DISTANCE : Toont de afstand optellend of aftellend. Met stilstaande loopband en de veiligheidssleutel op ON, kan deze waarde gekozen worden door op ENTER te drukken en ingesteld met de toetsen SPEED +/- of ELEVATION +/- . Het optelbereik gaat van 0,00 tot 999 MPH/km/u, het aftelbereik van 999 tot 0 MPH/km/u. Na het aftellen tot 0 geeft de monitor 12 biepsignalen en stopt de loopband.



D. SCHERM KCAL : Toont de calorieën optellend of aftellend. Met stilstaande loopband en de veiligheidsleutel op ON, kan deze waarde gekozen worden door op ENTER te drukken en ingesteld met de toetsen SPEED +/- of ELEVATION +/- .Het optelbereik gaat van 0 tot 999 Kcal, het aftelbereik van 999 tot 0 Kcal. Na het aftellen tot 0 geeft de monitor 12 biepsignalen en stopt de loopband.

E. SCHERM INCLINE / ELEVATION : de getoonde waarde is standaard de hartslag en het lampje HEART RATE brandt. Tijdens de instelling verandert het naar hellinggraad % en brandt het lampje ELEVATION.

WERKINGSINSTRUCTIES

(Lees aandachtig door alvorens het toestel te gebruiken)

A. VEILIGHEID:

Om te beginnen: schakel het toestel aan en plaats de veiligheidsleutel op de monitor. Het toestel en de LED-schermen werken niet indien de veiligheidsleutel niet geplaatst is. Het andere uiteinde van de veiligheidsleutel moet vastgeclipd worden aan de gebruiker om ervoor te zorgen dat het toestel stopt indien de gebruiker per ongeluk van de band zou lopen. Bij een val wordt de veiligheidsleutel van de monitor getrokken en stopt de loopband onmiddellijk om verwondingen te voorkomen.

B. PROGRAMMAKEUZE:

Er zijn 17 programma's, waaronder 15 vooraf ingestelde programma's en 2 gebruikersprogramma's waaruit gekozen wordt met de toets SELECT.

C. PROGRAMMAGRAFIEK:

De grafieken in het scherm PROGRAM geven het snelheidsprofiel weer, maar ook de hellinggraad verandert tijdens de training. Het scherm bevat 10 kolommen. Indien de waarde TIME niet is ingesteld, duurt elk programma 20 minuten of 2 minuut voor elk interval. Indien de waarde TIME is ingesteld, varieert elk interval.

D. TRAINEN MET EEN SPECIFIEK DOEL

In alle programma's kan de gebruiker de waarden en de tijd instellen voor de training. Druk op de toets "ENTER" om de waarde te selecteren en stel de waarde in met de toetsen SPEED + en SPEED -. Indien geen waarden worden ingesteld blijven ze allemaal op 0. De gebruiker kan zolang lopen als hij wenst. De gebruiker kan ook de gewenste tijd instellen en laten aftellen. Indien bij voorbeeld TIME wordt ingesteld op 10 minuten, stopt de loopband na 10 minuten.

E. HARTSLAG:

Er zijn twee manieren om uw hartslag te meten. De eerste is gebruikmaken van de handsensor, de tweede is een borstband. De hartslagmeting gebeurt met sensoren die in de handsteunen zijn verwerkt en die de pols altijd meten wanneer de gebruiker beide sensoren tegelijkertijd aanraakt. Voor een betrouwbare hartslagmeting is het nodig dat de huid voortdurend in contact met de sensoren is en dat de huid iets vochtig is. Een te droge of te natte huid is nadelig voor de werking van de hartslagmeting. Let er ook op, dat de hartslagmeting aan de pols soms gestoord kan worden door sterke trillingen en dus minder betrouwbaar is, als uw voeten tijdens de training steeds hard op de looptrainer neerkomen. Vanwege de veiligheid bevelen wij aan om de

hartslagmeting alleen te gebruiken bij wandelsnelheden of wanneer u op de randplaten van de mat staat.

FITNESS TRAINING

OVER UW GEZONDHEID

- Om spierpijn te voorkomen, begin en eindig uw training met enkele rek en strek oefeningen.

OVER DE RUIMTE WAAR U TRAIINT

- Zorg ervoor dat de ruimte waar u traint goed geventileerd wordt, maar dat het er niet tocht. Dit voorkomt kouvatten.
- Gebruik de looptrainer alleen binnenshuis. De ideale gebruikstemperatuur is tussen +10°C en +35°C. De luchtvochtigheid mag nooit hoger dan 80 % zijn.
- Plaats de trainer op een zo vlak mogelijke ondergrond, met aan de voorkant en aan de zijkanten minstens 60 cm vrije ruimte en aan de achterkant minstens 100x200 cm.
- Het is beter om de apparatuur op een extra stuk vloerbedekking of rubberen mat te plaatsen. Bij zware transpiratie is de vloer dan ook makkelijker schoon te maken.

OVER HET GEBRUIK VAN DE APPARATUUR

- Schakel na het trainen altijd de elektriciteit uit en neem de stekker uit het stopcontact.
- Ouders of volwassenen die verantwoordelijk zijn voor kinderen moeten zich altijd realiseren dat de speelsheid en nieuwsgierigheid van kinderen, kan leiden tot situaties waarvoor de apparatuur niet is ontworpen. Gebruik van de apparatuur door kinderen mag daarom alleen plaatsvinden onder supervisie van een volwassene.
- De Run 1.0 mag door slechts één persoon tegelijk gebruikt worden.
- Blijf altijd met uw handen uit de buurt van de band wanneer deze in beweging is. Zorg ervoor dat er zich geen obstakels onder het onderstel van de trainer bevinden en steek geen handen, voeten of voorwerpen tussen bewegende delen.
- Draag tijdens de training de juiste kleding en schoenen. Zorg ervoor dat uw schoenveters goed gestrikt zijn. Gebruik schoenen die alleen binnen worden gedragen. Steentjes, zand en ander vuil afkomstig van buitenschoenen, kunnen extra slijtage en/of storingen veroorzaken.
- Controleer voordat u met de training begint of de looptrainer in orde is. Gebruik de looptrainer nooit indien deze defect is.
- Gebruik de trainer alleen indien de behuizing en de beschermkappen correct zijn aangebracht.

BEGINNEN MET DE TRAINING

- Om spierpijn te voorkomen, begin en eindig uw training met enkele rek en strek oefeningen.
- Ga voordat u de looptrainer start wijdbeens staan op de grijze treeplanken, die zich aan weerszijden van de band bevinden en start dan pas de looptrainer. Start de looptrainer nooit terwijl u er op staat.
- Houdt u altijd, bij het op- en afstappen van de band, of wanneer u tijdens het lopen de bandsnelheid wijzigt, vast aan de handgrepen. Spring nooit van een draaiende loopmat af!



- Mocht u tijdens het trainen last krijgen van misselijkheid, duizeligheid of ander abnormale verschijnselen, stop dan direct uw training en raadpleeg een arts.

NA IEDERE TRAINING

- Neem de veiligheidsleutel uit het bedieningspaneel.
- Schakel de stroom uit via de hoofdschakelaar.
- Neem de stekker uit het stopcontact en neem het snoer uit de trainer.
- Met een vochtige doek de looptrainer schoonmaken. Gebruik geen oplosmiddelen.
- het snoer op een veilige plaats op, buiten het bereik van kinderen.

HOE BLIJFT U HET BEST GEMOTIVEERD?

Het is gemakkelijk om met trainen te beginnen, maar het is misschien nog wel makkelijker om er mee te stoppen! Om het doel, uw gezondheid en uw kwaliteit van leven, dat u zich gesteld heeft te bereiken, is het belangrijk dat u de juiste motivatie krijgt en houdt, om dóór te blijven gaan met trainen. Dit helpt u daarbij:

- stel een realistisch doel
- bouw uw training stap-voor-stap aan de hand van een schema op
- houdt een fitnessdagboek bij, waarin u de vorderingen noteert
- verander zo nu en dan de manier waarop u traint
- concentreer u op zelfdiscipline

Natuurlijk weet u zelf het beste hoe u zich moet motiveren. Maak van fitnesstraining niet de belangrijkste zaak in uw leven. Uw eerste doel is te wennen aan het regelmatig trainen. Pas wanneer dat regelmatig trainen natuurlijk aanvoelt kunt u nieuwe doelen stellen.

HARTSLAG

Hartslag kan telemetrisch worden gemeten. De trainer hebben een ingebouwde hartslagontvanger voor de borstband met ingebouwde telemetrische hartslagzender. Wat uw doel, uw streven ook met het trainen is, u bereikt het beste resultaat door te trainen op een niveau dat u aankunt. Daarvoor is, zoals gezegd, uw hartslag de beste graadmeter. Om te beginnen dient u te weten wat uw maximale hartslag is: dit is de hartslag die bij meer inspanning niet meer hoger wordt. Als u niet weet wat uw maximale hartslag is, kunt u de volgende formule als leidraad nemen:

$$220 - \text{DE LEEFTIJD}$$

Dit zijn gemiddelde waarden en het maximum varieert van persoon tot persoon. De maximale hartslag daalt per jaar met gemiddeld één punt. Als u tot de risicogroepen behoort, vraag dan een arts uw maximale hartslag te bepalen. Om u te helpen met uw training, hebben wij drie verschillende hartslag niveaus geselecteerd.

BEGINNER: 50 tot 60 % van de maximale hartslag
Dit niveau is ook geschikt voor mensen die lijnen, mensen die herstellende zijn van een ziekte en mensen die lang niet getraind hebben. Drie trainingen van tenminste een halfuur per week zijn aan te bevelen. Regelmatig trainen stimuleert bij een beginner de ademhaling en bloedsomloop in sterke mate en zorgt al snel voor een merkbaar resultaat.

GEMIDDELTE SPORTER: 60 tot 70 % van de maximale hartslag

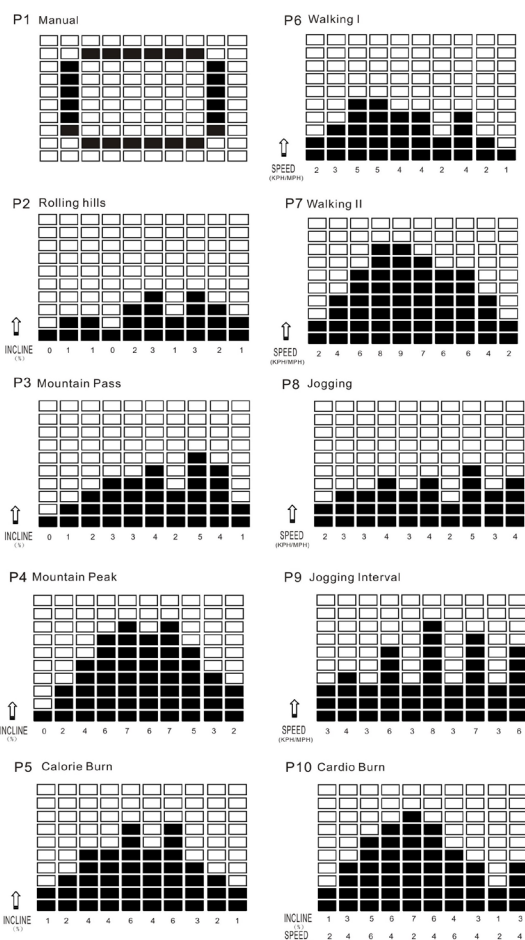
Een perfect niveau om de conditie te verbeteren en op peil te houden. Zelfs een redelijk normale inspanning - minimaal 3 trainingen van 30 minuten per week - heeft een positief effect op hart en longen. Om uw conditie verder te verbeteren kunt u het aantal keren trainen per week verhogen of de duur van uw training verlengen. Verhoog echter nooit beide tegelijkertijd!

GETRAINDE SPORTER: 70 tot 80 % van de maximale hartslag
Trainen op dit niveau is alleen weggelegd voor wie écht fit is en wie gewend is aan langdurige conditie trainingen.

WERKING

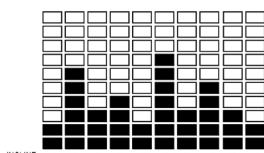
1. Plaats de veiligheidsleutel in de Safety key-positie.
2. Druk op de POWER-knop. De monitor wordt aangeschakeld. In het programmavenster verschijnt "ENTER WEIGHT". Druk op +/- om uw gewicht in te geven.
3. Druk op ENTER om de ingestelde waarde te bevestigen. In het programmavenster verschijnt "SELECT PROGRAM OR PRESS START".
4. Druk op SELECT en selecteer het gewenste programma 1-9 of User 1-3 via SPEED +/- of INCLINE +/-.

PROGRAMMA'S 1 - 17



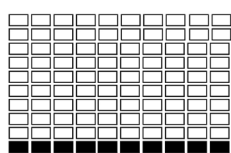


P11 Hill Interval

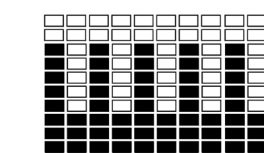


INCLINE (%) 1 5 2 3 1 6 2 4 2 1
 SPEED (KPH/MPH) 2 4 5 5 6 4 6 5 3 2

P15 U1

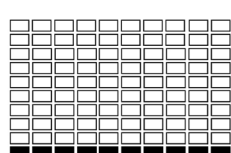


P12 Mountain Interval

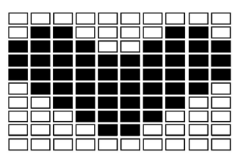


INCLINE (%) 7 2 7 2 7 2 7 2 7 2
 SPEED (KPH/MPH) 2 4 2 4 2 4 2 4 2 4

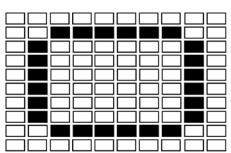
P16 U2



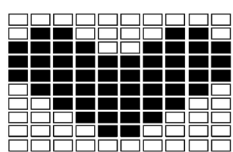
P13 HRC1-Weight Loss Speed



P17 BODYFAT



P14 HRC2-Cardio Heart Incline



AANPASSEN VAN DE PROFIELNIVEAUS:

1. In het programmavenster zal de eerste kolom van de LED-matrix oplichten. Druk op SPEED +/- om de gewenste snelheid in te stellen en druk op INCLINE +/- om de gewenste helling in te stellen.
2. Druk op ENTER om uw profielinstelling voor de eerste kolom te bevestigen.
3. Ga door tot alle profielen ingesteld zijn, kolom per kolom.
te wissen.

ONDERHOUD

Om de veiligheid van het toestel te garanderen is geregeld onderhoud en inspectie of defecten en slijtage vereist.

REINIGING EN SMERING VAN DE LOOPTRAINER Als u nalaat uw looptrainer te smeren, kan uw recht op garantie vervallen!

Verwijder stof en vuil van het bedieningspaneel en reinig de handgrepen met een licht vochtige doek. Gebruik geen oplosmiddelen. Reinig de zichtbare delen van het frame (o.a. onderstel en zijpanelen) en de band regelmatig met een stofzuiger. Houdt u ook de omgeving van de loopmat schoon. Bij gebruik vergaart de loopmat bijvoorbeeld stof, wat problemen kan veroorzaken bij het functioneren van de apparatuur.

Bij normaal thuisgebruik (maximaal 60 minuten per dag) dient u de smering één keer per maand te controleren. De mat moet echter alleen worden gesmeerd als het nodig is. Bij veeleisender gebruik moet de smering met

kortere tussenpozen worden gecontroleerd. Dit kan het best worden gedaan voordat u met een trainingssessie begint. Controleer de smering als volgt:

1. Schakel de looptrainer uit! Stap op de loopmat en blijf stil staan in plaats van te gaan lopen, zoals u normaal gesproken doet.
2. Pak de horizontale handgreep vast en beweeg de mat met uw voeten achterwaarts en voorwaarts. De mat moet soepel, gelijkmatig en geruisloos bewegen.
3. Als u vaststelt dat de mat schokkerig beweegt of niet soepel loopt, schuift u uw hand onder de mat en controleert u de smering.
Smeer de mat als volgt:
 1. Bevestig de spuitmond van het slangetje op de T-Lube S-spuitbus.
 2. Til de loopmat op en vergrendel deze.
 3. Plaats de spuitmond tussen de mat en de plaat. Probeer de spray zo veel mogelijk in het midden van het loopvlak te krijgen.
 4. Spuit gedurende 2-3 seconden.
 5. Laat het loopvlak naar zijn normale positie zakken. Begin direct met uw trainingssessie. Of zet de looptrainer aan en wacht vijf minuten voordat u begint.

⚠ BELANGRIJK! Smeer uw looptrainer alleen met T-Lube S-siliconensmeermiddel. Neem contact op met uw Tunturi-dealer voor de aanschaf van extra T-Lube of voor meer informatie over smering en onderhoud.

HET CENTREREN VAN DE LOOPMAT

Controleer tijdens het gebruik of de loopmat goed blijft lopen. Indien de band afstelling behoeft, wacht hier dan niet mee tot na de training maar voer dit onmiddellijk uit. De band dient altijd over het midden van de trainer te lopen. Centreren zal over het algemeen niet nodig zijn wanneer:

- de looptrainer op een vlakke ondergrond staat en de loopmat goed gespannen is;
- de loopmat correct is gecentreerd.

Het kan echter zijn dat als gevolg van een bijzondere loopstijl de loopmat enigszins uit het midden raakt. Het centreren van de loopmat:

1. Controleer eerst of de looptrainer horizontaal / waterpas staat. Laat de loopmat vrij draaien met een snelheid van 5 km/u.
2. Indien de band naar links trekt, draai dan de linker inbusbout achter op de trainer 1/4 slag in de richting van de klok mee en de rechter inbusbout kwartslag tegen de klok in. Het afstellen dient met de nodige voorzichtigheid te gebeuren daar een achtste slag al aanzienlijke gevolgen heeft voor de loop van de loopmat. Draai de inbusbouten dus met maximaal kwartslag in de richting van de klok of tegen de klok in. Controleer elke keer het gevolg hiervan. Laat de mat enkele minuten draaien, voor weer verder te gaan met afstellen. Indien de mat naar rechts trekt, draai dan de rechter inbusbout achter op de trainer kwartslag in de richting van de klok en de linker inbusbout kwartslag tegen de klok in.
3. De loopmat is correct afgesteld wanneer deze in het midden blijft lopen. Wanneer de mat nog steeds naar links of naar rechts trekt dient u het afstellen te herhalen, stapje voor stapje, totdat de loopmat recht loopt. Indien de mat gedurende langere tijd aanloopt kan deze ernstig beschadigen. De garantie op de trainer dekt geen storingen of beschadigingen die ontstaan zijn door het niet centreren van de mat.



HET SPANNEN VAN DE LOOPMAT

Indien de mat gaat slippen dient u deze wat strakker te stellen. Het is niet goed om de loopmat te strak te zetten; houd de spanning zo laag mogelijk. Het bijstellen van de spanning doet u met dezelfde inbusbouten die ook voor het centreren worden gebruikt.

1. Laat de band vrij lopen met een snelheid van ongeveer 5 km/h.
2. Draai de beide inbusbouten achter op de trainer kwartslag in de richting van de klok.
3. Controleer of de spanning correct is door op de looptrainer te gaan lopen en deze af te remmen (alsof u bergaf loopt).

Indien de band bij licht afremmen nog steeds slipt, draai dan de inbusbouten nogmaals kwartslag aan en herhaal de controle. Bij krachtig afremmen mag de loopmat slippen. Als de mat, ondanks het afstellen, blijft doorslippen, neem dan contact op met uw Tunturi dealer.

GEBRUIKSSTORINGEN

! **BELANGRIJK!** Ondanks voortdurende kwaliteitscontroles, kunnen er defecten of storingen optreden die het gevolg zijn van het niet goed functioneren van onderdelen die in de looptrainer zijn gebruikt. In de meeste gevallen is het onnodig om het gehele apparaat ter reparatie aan te bieden, aangezien de storing meestal kan worden opgelost door het vervangen van het defecte onderdeel. Mochten er storingen optreden bij het gebruik van de trainer, neem dan onmiddellijk contact op met uw Tunturi dealer. Vermeldt daarbij altijd het model en het serienummer van uw Tunturi trainer, de eventuele storingscode en door wie de trainer is geïnstalleerd.

Indien u merkt dat er iets niet in orde is met de looptrainer, schakelt u direct de looptrainer uit door de aan- en uitknop in te drukken. Wacht vervolgens één minuut en schakel de looptrainer weer aan. Op deze manier moeten incidentele fouten hersteld zijn en kan de looptrainer opnieuw worden gebruikt. Indien de looptrainer na het aan- en uitschakelen door de aan- en uitknop nog steeds niet goed functioneert, neem dan contact op met uw Tunturi dealer voor onderhoud. Vermeldt bij het bestellen van onderdelen het model, het serienummer van het apparaat en het nummer van het onderdeel. Op de laatste pagina's van deze gids vindt u de onderdelenlijst.

STORINGEN

De monitor meldt de storingen op het screen aan.

E1: Storing van de snelheidssensor. Neem de stekker uit het stopcontact, wacht een minuut en zet hem dan opnieuw aan. Als de foutmelding niet terugkomt, kunt u het toestel verder normaal gebruiken. Als de foutmelding niet verdwijnt, neem dan contact op met de verkoper van het toestel.

E3: Storing van de hefmotor. Neem de stekker uit het stopcontact, wacht een minuut en zet hem dan opnieuw aan. Als de foutmelding niet terugkomt, kunt u het toestel verder normaal gebruiken. Als de foutmelding niet verdwijnt, neem dan contact op met de verkoper van het toestel.

BEVEILIGING TEGEN STROOMOVERLAST

Als het stroomverbruik van de loopmat te groot wordt, wordt de stroomtoevoer als veiligheidsfunctie van de mat door deze beveiliging naar de loopmat onderbroken en springt de drukknop van de zekeringsstop naast de stroomonderbreker naar boven. Voor u verder gaat met het gebruiken van de mat moet u eerst de smering van de mat controleren en voorts eventuele andere mechanische oorzaken voor het doorslaan van de beveiliging onderzoeken. Dan pas drukt u de knop van de zekeringsstop weer in en is het apparaat weer gebruiksklaar.

TRANSPORT EN OPSLAG

OPVOUWEN VAN DE LOOPBAND

Na de montage kunt u de loopband opvouwen in rechtstaande positie om op te bergen. Hef het loopdek op totdat het vergrendelt in de opbergpositie. Let erop dat u een klik hoort bij de vergrendeling van het loopdek. Zodoende kan het niet terugvallen.

! WAARSCHUWING:

Zorg ervoor dat de hellingsgraad van de loopband op 0 is ingesteld alvorens hem op te vouwen. Zoniet zou schade kunnen ontstaan aan het mechanisme.

DE LOOPBAND NEERLATEN

Trap eerst op het pedaal, druk het frame naar de console en laat dan het loopdek op de vloer zakken (tekening 6).

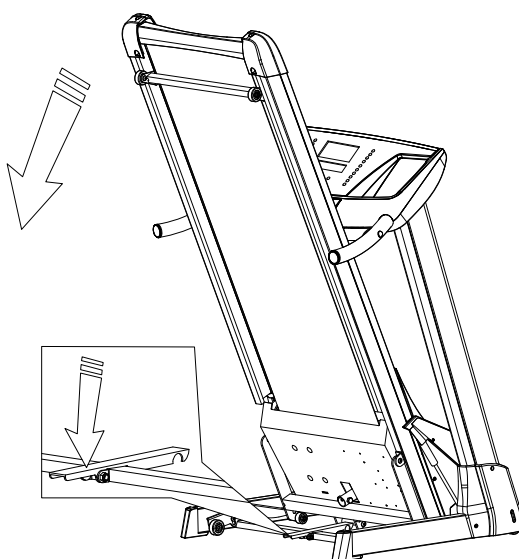
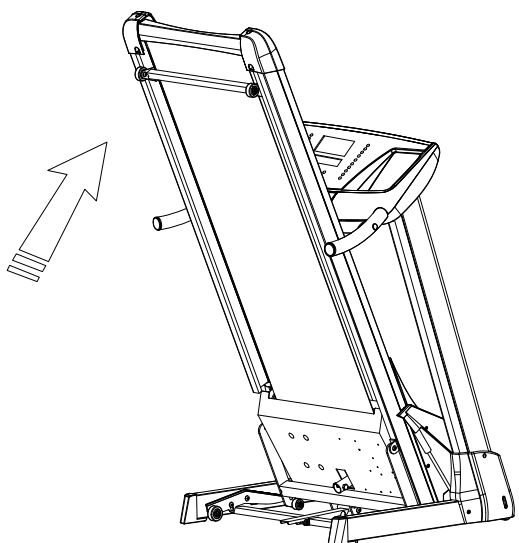
! **VOORZICHTIG:** Het toestel is uitgerust met een veiligheidssysteem om het loopdek langzaam te laten zakken. Let erop dat er zich geen kinderen of voorwerpen onder het loopdek bevinden wanneer u het laat zakken.

! **OPMERKING:** Ga voorzichtig te werk, ook al is het toestel voorzien van een gasveer die het grootste gewicht van het loopdek zal dragen.



Koppel het netsnoer los van het toestel en het stopcontact alvorens het te verplaatsen. Vouw het loopdek op tot de vergrendelde positie en kantel het toestel op de transportwielen. Laat het toestel voorzichtig op de vloer zakken.

Het verdient aanbeveling een deken onder het toestel te leggen om het te verplaatsen.



TECHNISCHE GEGEVENS

Lengte	193 cm (93 cm)
Hoogte	140 cm (181 cm)
Breedte	91 cm
Gewicht	101 kg
Lengte loopvlak	150 cm
Breedte loopvlak	51 cm
Snelheid	0.8-20.0 km/h
Hellinghoek	0-12 %
Motor	2.0 pk

Alle Tunturi modellen voldoen aan de eisen van EUs EMC. Directieven betreffende elektromagnetische compatibiliteit (89/336/EEC) en elektrische apparatuur ontworpen voor gebruik binnen bepaalde spanningslimieten (73/23/EEC). Daarom is dit product met de CE label voorzien.

In verband met ons beleid van voortdurende productinnovatie, is Tunturi gerechtigd om specificaties te veranderen zonder daarover nader te berichten.

! **BELANGRIJK!** De garantie vervalt bij schade als gevolg van het niet volgen van de instructies in deze gids betreffende het monteren, het instellen en het onderhouden van de apparatuur. Veranderingen of modificaties, welke niet door Tunturi-Fitness zijn goedgekeurd, laten de Tunturi-Fitness product aansprakelijkheid geheel vervallen.

Wij wensen u veel plezierige trainingen met uw nieuwe Tunturi trainingspartner!



INDICE

MONTAGGIO	35
MONITOR	37
ESERCITAZIONI	38
FUNZIONAMENTO	39
MANUTENZIONE	40
SPOSTAMENTO ED IMMAGAZZINAGGIO	42
DATI TECNICI	42

SEI BENVENUTO NEL MONDO DEGLI ALLENAMENTI TUNTURI!

Hai fatto un'ottima scelta. Si vede che tieni alla tua forma fisica. Indubbiamente sei una persona esigente che richiede il meglio in quanto a qualità e stile. Nella Tunturi troverai il tuo partner ideale. Alta tecnologia, sicurezza e stimolo per sempre migliori prestazioni sono le sue caratteristiche. Qualunque sia il tipo di allenamento che intendi praticare, questo è lo strumento fatto per te. Nel fascicolo unito al tuo attrezzo Tunturi troverai le informazioni necessarie per un allenamento efficace. Puoi anche consultare il sito internet della Tunturi (WWW.TUNTURI.COM).

AVVERTENZE

Questo libretto di istruzioni è una parte essenziale della tua attrezzatura da ginnastica. Leggi con attenzione quanto scritto in questa guida, prima del montaggio dei pezzi e prima di fare uso dell'attrezzo o di effettuarne qualunque manutenzione. Ti raccomandiamo pure di conservare la presente guida in un; essa ti fornirà, adesso e nel futuro, le istruzioni necessarie all'uso e alla manutenzione della tua attrezzatura da ginnastica. Tali istruzioni devi seguirle sempre con molta attenzione!

- Assicuratevi che l'impianto sia collegato a terra. Evitare di usare prolunghe. Il consumo massimo è 10 A. Prolunghe che servono più apparecchi, o che hanno fl uttuazioni di voltaggio + 10 % possono risultare dannose all'elettronica del treadmill.
- Non effettuare alcuna manutenzione o riparazione, al di fuori di quelle descritte nella presente guida. Qualunque riparazione più impegnativa, deve essere effettuata da un esperto nella manutenzione di congegni elettromeccanici, autorizzato, in conformità alle leggi della nazione in.
- questione, o comunque abilitato, ad effettuare i predetti lavori di manutenzione o di riparazione. Le istruzioni per le riparazioni, contenute in questa guida, devono essere seguite con molta attenzione.
- Prima dell'inizio del training, consulta un medico per il controllo del tuo stato di salute.
- Se provi nausea, capogiri o presenti altri sintomi anormali, durante gli allenamenti, smetti immediatamente ogni esecuzione e vai dal medico.
- Non tentate riparazioni e manutenzioni diverse da quelle descritte in questo manuale. Seguite alla lettera. Assicuratevi che la presa di corrente sia staccata, prima di metterti a fare qualunque lavoro di montaggio pezzi o di manutenzione.
- Non usatelo in esterno. Consigliamo di conservare

l'attrezzatura a temperatura ambiente da +10 a +35°C. Il tasso d'umidità non deve mai superare il 80 %.

- L'attrezzo non può essere usato da persone, il cui peso superi i 135 kg.
- Per maggiori informazioni sulle condizioni di garanzia dell'attrezzo, consultare il libretto di garanzia allegato. La garanzia non copre danni derivati da negligenze derivate nelle regolazioni o nelle manutenzioni descritte in questo manuale!

MONTAGGIO

L'attrezzo deve essere montato preferibilmente da due persone adulte. Non rimuovere l'attrezzo dalla confezione: proteggere il pavimento utilizzando l'imballaggio in cartone dell'attrezzo.

Prima di montare l'attrezzo, verificare che siano presenti tutte le parti:

1. Telaio
2. Cavo di alimentazione
3. Kit di montaggio (il contenuto del kit è contrassegnato con un asterisco (*) nell'elenco delle parti di ricambio): conservare gli strumenti di montaggio in quanto possono essere necessari, ad esempio, per eseguire regolazioni dell'attrezzo.

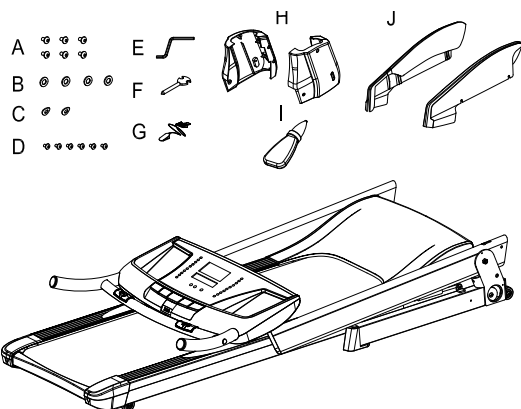
In caso di problemi, contattare un rivenditore autorizzato Tunturi. Le direzioni sinistra, destra, parte anteriore e parte posteriore sono definite dalla posizione di allenamento. Per evitare il pericolo di lesioni, ripiegare la piattaforma prima di estrarre il tapis roulant dalla confezione.

PASSO 1

Individuare la borsa contenente gli strumenti e le parti elencati nell'immagine riportata di seguito.



Figura 1

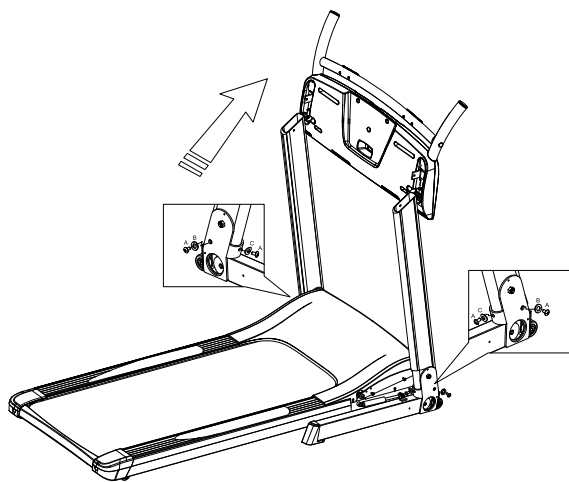


Part#	Description	Q'TY
A	Screw M8x20L	6
B	Washer Ø8xØ18	2
C	Washer Ø10xØ25	4
D	Screw M4x6L	6
E	Allen Key	1
F	Screwdriver	1
G	Safety Key	1
H	Side Cap	2
I	Lube	1
J	Incline Bracket Cover	2

PASSO 2

Solleverre il montante, quindi inserire le viti (A) e le rondelle (B, C) nei fori situati nella parte inferiore del montante. Utilizzare il cacciavite per serrare viti e rondelle.

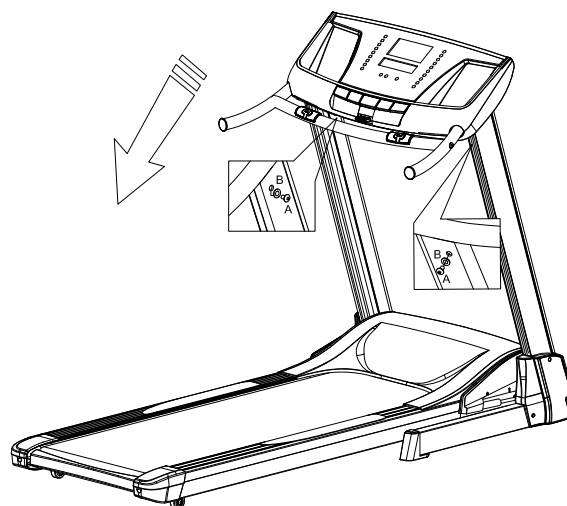
Figura 2



PASSO 3

Installare la console nella posizione appropriata. Utilizzare la chiave a brugola (E) per serrare le viti (A) e le rondelle (B) nei fori sulla parte superiore del montante.

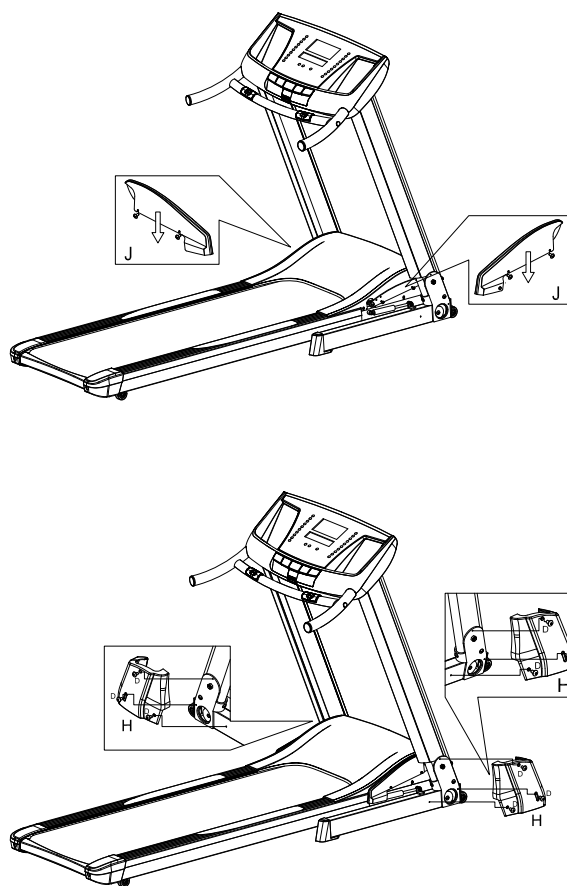
Figura 3



PASSO 4

Fissare il coperchio laterale (H) con le viti (D) alla parte inferiore del montante, quindi serrare le viti.

Figura 4



⚠ ATTENZIONE!

L'attrezzo si spegne se il carico di elettricità è superiore a quello supportato. Per riavviare l'attrezzo, attenersi alla procedura descritta di seguito:

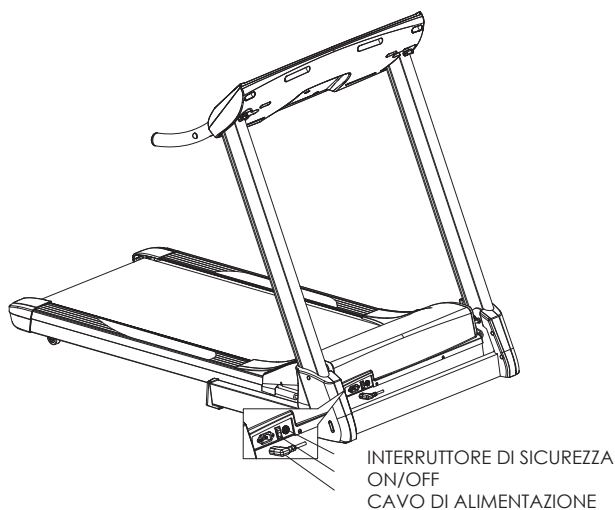


- A. Scollegare il cavo di alimentazione dalla presa dell'attrezzo.
- B. Premere l'interruttore di sicurezza.
- C. Inserire nuovamente il cavo di alimentazione nella presa dell'attrezzo.

Non premere l'interruttore di sicurezza prima di avere scollegato il cavo di alimentazione dell'attrezzo.

Se si lascia il tapis roulant collegato all'alimentazione dopo avere spento la console, quest'ultima viene ancora attraversata da corrente. Il tapis roulant è dotato di un dispositivo di controllo di sicurezza che spegne automaticamente l'attrezzo se questo non viene utilizzato per un intervallo di tempo di sei ore. In caso di spegnimento automatico, attenersi alla procedura descritta di seguito per riavviare il tapis roulant:

- A. Scollegare il cavo di alimentazione dalla presa dell'attrezzo.
- B. Inserire nuovamente il cavo di alimentazione nella presa dell'attrezzo per riavviarlo.



MONITOR



TASTI DELLE FUNZIONI

Tasti per l'uso delle funzioni principali:

1. ELEVATION +:

- a. Consente di aumentare il livello dell'altezza, indicato sul display della frequenza cardiaca/altezza, in un intervallo compreso tra 0% e 12%. Premendo il tasto una sola volta, il livello viene aumentato dell'1%; per diminuire rapidamente il valore, tenere premuto il tasto per 2 secondi.
- b. Premere questo tasto per scegliere uno dei programmi disponibili (P1, P2, P3, P4, ..., U1 o U2).

2. ELEVATION -:

- a. Consente di diminuire il livello dell'altezza, indicato sul display della frequenza cardiaca/altezza, in un intervallo compreso tra 0% e 12%. Premendo il tasto una sola volta, il livello viene aumentato dell'1%; per diminuire rapidamente il valore, tenere premuto il tasto per 2 secondi.
 - b. Premere questo tasto per scegliere uno dei programmi disponibili (P1, U3, U2, U1, P9, P8, P7, P6, P5, P4, P3 o P2).
- 3. POWER:** premere questo tasto per accendere o spegnere l'attrezzo.
- 4. START/STOP:** avvia o interrompe il programma selezionato.

5. SELECT:

- a. Consente di visualizzare gli 12 programmi disponibili, nel seguente ordine: P1, P2, P3, P4, ... USER SETTING 1 e USER SETTING 2.
- b. Durante l'allenamento, premere questo tasto per selezionare le funzioni frequenza cardiaca e altezza.

6. ENTER/RESET:

- a. Premere questo tasto per confermare il programma selezionato o l'impostazione di un valore.
- b. Tenere premuto il tasto per 2 secondi per ripristinare tutti i valori iniziali.

7. SPEED +:

- a. Consente di aumentare il livello della velocità, indicato sul display della velocità, in un intervallo compreso tra 0.8 e 20.0 KPH (0.5 e 12 MPH). Premere il tasto una sola volta per aumentare la velocità di 0.2 KPH (0.1 MPH). Per aumentare rapidamente il valore, tenere premuto il tasto per 2 secondi.
- b. Premere questo tasto per scegliere uno dei programmi disponibili (P1, P2, P3, P4, ... , U1 o U2).

8. SPEED -:

- a. Consente di diminuire il livello della velocità, indicato sul display della velocità, in un intervallo compreso tra 0.8 e 20.0 KPH (0.5 e 12 MPH). Premere il tasto una sola volta per diminuire la velocità di 0.2 KPH (0.1 MPH). Per diminuire rapidamente il valore, tenere premuto il tasto per 2 secondi.
- b. Premere questo tasto per scegliere uno dei programmi disponibili (P1, U3, U2, U1, P8, P7, P6, P5, P4, P3 o P2).

Tasti di impostazione rapida della velocità:

Sono disponibili 6 tasti di impostazione rapida della velocità, corrispondenti ai valori 4, 6, 8, 10 e 12 KPH o 2, 4, 6, 8, 10 MPH. Premendo, ad esempio, il tasto di impostazione rapida 8, il valore della velocità viene automaticamente impostato su 8 KPH.

Tasti di impostazione rapida dell'altezza:

Sono disponibili 6 tasti di impostazione rapida dell'altezza, corrispondenti ai valori 2, 4, 6, 8 e 10%. Premendo, ad esempio, il tasto di impostazione rapida 4, il livello dell'altezza viene automaticamente impostato sul 4%.

Tasti di accesso rapido alle funzioni relative alla velocità:

- 1. +: stessa funzione del tasto SPEED +.
- 2. -: stessa funzione del tasto SPEED -.

Tasti di accesso rapido alle funzioni relative alla pendenza:

- 1. +: stessa funzione del tasto INCLINE +.
- 2. -: stessa funzione del tasto INCLINE -.



DISPLAY E INTERVALLI DI ESERCIZIO:

A. DISPLAY DEL TEMPO: indica il tempo di allenamento, misurato progressivamente o con conteggio alla rovescia. Quando il tapis roulant non è in funzione e la chiave di sicurezza è nella posizione ON, è possibile scegliere il tempo di allenamento premendo il tasto "ENTER" e impostando un valore con i tasti "+" e "-". L'intervallo del tempo misurato va da 00:00 a 99:59 e da 10:00 a 99:00 con il conteggio alla rovescia. Quando il timer sta per raggiungere 00:00, il monitor emette un segnale acustico per 12 volte, quindi il tapis roulant si ferma.

B. DISPLAY DELLA VELOCITÀ: indica la velocità del nastro del tapis roulant. La velocità può essere regolata premendo i tasti "SPEED+" e "SPEED-" in un intervallo compreso tra 0.5 e 12,5 miglia all'ora (MPH) o 0.8 e 20 chilometri all'ora (KPH).

C. DISPLAY DELLA DISTANZA PERCORSA: quando il nastro è fermo e la chiave di sicurezza è in posizione ON, indica la distanza percorsa con conteggio progressivo o alla rovescia. È possibile scegliere la distanza da percorrere premendo "ENTER", quindi impostando un valore utilizzando i tasti SPEED +/- o ELEVATION +/- . L'intervallo della misurazione progressiva va da 0.00 a 999 KPH/MPH, mentre l'intervallo della misurazione alla rovescia va da 999 a 0.00. Quando il timer sta per raggiungere 0.00, il monitor emette un segnale acustico per 12 volte, quindi il tapis roulant si ferma.

D. DISPLAY DELLE CALORIE: quando il nastro è fermo e la chiave di sicurezza è in posizione ON, indica le calorie consumate con conteggio progressivo o alla rovescia. È possibile specificare le calorie da consumare premendo "ENTER", quindi impostando un valore utilizzando i tasti SPEED +/- o ELEVATION +/- . L'intervallo della misurazione progressiva va da 0.00 a 999 KCAL, mentre l'intervallo della misurazione alla rovescia va da 999 a 0.00. Quando il timer sta per raggiungere 0.00, il monitor emette un segnale acustico per 12 volte, quindi il tapis roulant si ferma.

E. DISPLAY DELLA FREQUENZA CARDIACA/ALTEZZA: il valore predefinito visualizzato è quello delle pulsazioni. L'indicatore HEART RATE è acceso. Durante la regolazione, se è acceso l'indicatore ELEVATION, viene visualizzato il valore dell'altezza (in percentuale).

ISTRUZIONI PER L'USO

(leggere attentamente prima di mettere in funzione l'attrezzo)

A. CONSIGLI PER LA SICUREZZA:

Per avviare il tapis roulant, accendere l'alimentazione e inserire la chiave di sicurezza nel monitor. Osservare che, se la chiave di sicurezza non è inserita, l'attrezzo non si mette in funzione e il LED rimane spento. Agganciare l'altra estremità della chiave di sicurezza su di sé prima di iniziare l'allenamento per assicurarsi che il tapis roulant si fermi in caso di caduta accidentale dal nastro scorrevole. Se ciò dovesse verificarsi, infatti, la chiave di sicurezza si sgancia dal monitor e il tapis roulant si ferma immediatamente evitando pericolosi infortuni.

B. SELEZIONE DEL PROGRAMMA:

Sono disponibili 17 programmi, che includono 15 programmi preimpostati e 2 programmi definiti dall'utente. Per selezionare un programma, premere il tasto "SELECT".

C. GRAFICO DEL PROGRAMMA:

I grafici visualizzati sul display del programma rappresentano le variazioni di velocità e pendenza nel corso dell'allenamento. Sul display vengono visualizzate 10 colonne. Se non è stato impostato un valore per il tempo di allenamento, ciascun programma ha una durata di 20 minuti e, in tal caso, ogni colonna rappresenta un intervallo di 2 minuti. Se invece è stato impostato un tempo di allenamento, ciascun intervallo varia a seconda del valore impostato.

D. ALLENAMENTI CON UN OBIETTIVO SPECIFICO:

In qualsiasi programma l'utente può modificare i valori del tempo prima di iniziare l'allenamento. Per selezionare i valori desiderati, premere il tasto "ENTER", quindi premere i tasti "SPEED+" e "SPEED-" per modificarli. 0 è l'impostazione predefinita per tutti i valori; l'utente può correre per tutto il tempo desiderato fino a quando l'attrezzo non viene spento. In alternativa, è possibile impostare un timer alla rovescia scegliendo il valore desiderato. Ad esempio, è possibile impostare il timer su 10 minuti e il tapis roulant si fermerà una volta trascorso questo intervallo di tempo.

E. FREQUENZA CARDIACA:

Sono disponibili due metodi di misurazione della frequenza cardiaca. Il primo metodo consiste nell'utilizzare il sensore delle pulsazioni, mentre il secondo consiste nell'utilizzare una fascia toracica. Il cardiofrequenzimetro è integrato nel corrimano. I sensori installati, rivelano la frequenza cardiaca quando l'utente appoggia entrambe le mani sul corrimano. Per garantire l'accuratezza del rilevamento, è importante che le mani siano in continuo contatto con i sensori e che la pelle di quest'area sia leggermente umida. Una pelle troppo umida o troppo asciutta possono compromettere il corretto funzionamento del cardiofrequenzimetro. Ricordare inoltre che se durante l'allenamento si fa troppa pressione con i piedi (corsa) sul treadmill, questo potrebbe compromettere negativamente sull'affidabilità della misurazione del cardiofrequenzimetro. Per garantire un uso affidabile dell'attrezzo, consigliamo di utilizzare il cardiofrequenzimetro solo se l'allenamento prevede una velocità a passo d'uomo, quando ci si ferma e si rimane in piedi sui bordi oppure fermando il treadmill.

ESERCITAZIONI

CIRCA LA TUA SALUTE

- Per evitare dolori e sforzi muscolari, inizia e finisci ogni esecuzione con lo stretching.

CIRCA L'AMBIENTE IN CUI ESERCITARSI

- Non usatelo in esterno.
- Colloca l'attrezzatura su di una superficie solida e piana. Lasciate 100x200 cm di spazio dietro e 100 cm ai lati e davanti.
- È una buona idea, quella di collocare l'attrezzo su di una base protettiva.
- Assicuratevi che l'ambiente abbia una ventilazione adeguata. Per evitare raffreddori, non far allenamento in un posto esposto a correnti d'aria.

CIRCA L'USO DELL'ATTREZZO

- Stacca sempre la corrente, tramite l'apposito interruttore, dopo ogni sessione di allenamento.
- I genitori, o chi per loro, dovrebbero far attenzione





alla tendenza naturale dei bambini, di voler giocare e di essere curiosi. Ciò potrebbe portare a situazioni e a comportamenti, che non rientrano tra i requisiti dell'attrezzatura. Se l'attrezzo viene lasciato all'uso dei bambini, bisogna controllarli, ed insegnare loro ad usarlo correttamente, facendo sempre mente locale allo sviluppo fisico e mentale dei bambini, e alla loro personalità.

- Il treadmill può essere usata da una sola persona alla volta.
- Non avvicinare le mani a parti dell'attrezzo che siano in movimento.
- Durante gli allenamenti, usa abiti e scarpe adeguate.
- Prima di incominciare ad usare l'attrezzatura, assicurati che tutti i suoi congegni siano funzionanti a dovere. Non usare attrezzi difettosi.
- Non usare l'attrezzo, qualora l'involucro di protezione non sia fissato al suo posto.

INIZIO DI ESECUZIONE

- Se provi nausea, capogiri o presenti altri sintomi anormali, durante gli allenamenti, smetti immediatamente ogni esecuzione e vai dal medico.
- Mettete i piedi sui binari laterali e non sul nastro.
- Per evitare dolori e sforzi muscolari, inizia e finisci ogni esecuzione con lo stretching.
- Impugnate sempre il manubrio quando salite o scendete dal treadmill e quando cambiate velocità. Non saltate giù quando il nastro è in movimento.

ALLA FINE DI ESECUZIONE

- Attaccare la chiave di sicurezza.
- Spegnerne l'interruttore generale.
- Togliere la spina e levare il cavo dalla portata di bambini.
- Se necessario pulire l'attrezzo con un panno umido. Non usare solventi.

QUAL'È LO STIMOLO PER CONTINUARE?

È facile incominciare con gli allenamenti, ma è ancora più facile smettere! Per ottenere lo scopo da te stesso prefissato, hai bisogno in continuazione di crearti uno stimolo a continuare, fino al conseguimento del tuo scopo finale: uno stato di salute, che duri per tutta la vita, ed una nuova qualità di vita. Perciò ricorda:

- Prefissati degli obiettivi realistici.
- Accontentati di progressi metodici, passo dopo passo, secondo una tabella da te stesso prefissata.
- Tieni un diario della tua forma fisica, su cui scrivere i progressi da te fatti.
- Cambia, di tanto in tanto, la tua maniera di esercitarti.
- Usa l'immaginazione.
- Impara l'autodisciplina. Un aspetto importante del tuo training è la versatilità.

Cambiando il tipo di training, metti in movimento differenti gruppi muscolari, e nello stesso tempo hai più possibilità di conservare alta la tua motivazione.

BATTITO CARDIACO

El pulso se puede medir telemétricamente. La máquina lleva incorporado un receptor compatible con un transmisor telemétrico de pulso.

Qualunque sia lo scopo che tu ti sia prefissato, i risultati migliori saranno raggiunti col suddetto training al giusto livello di sforzo, e la misura migliore, per tale sforzo, è

il ritmo del tuo stesso cuore. Per prima cosa, quindi, devi sapere qual'è il livello massimo di battiti cardiaci, ovvero il livello, oltre il quale le pulsazioni non aumentano, pur aggiungendo sforzi. Se tu non conosci il numero massimo delle tue pulsazioni, puoi usare la seguente formula indicativa:

220 - L'ETÀ

Questi sono valori indicativi. Il numero massimo di pulsazioni cardiache diminuisce, in media, di un punto ogni anno. Se appartieni ad uno dei gruppi di rischio, chiedi a un medico di misurare il tuo livello massimo di pulsazioni cardiache. Abbiamo definito tre differenti aree di pulsazioni, per aiutarti a stabilire il tuo livello di training.

PRINCIPIANTI: 50-60 % del massimo di pulsazioni

Questo livello è indicato anche per i weight-watchers, per i convalescenti e per coloro che non hanno fatto allenamento per lungo tempo. Si raccomandano tre periodi di training ininterrotto alla settimana, ognuno della durata di almeno mezz'ora. Un esercizio regolare migliora notevolmente la performance respiratoria e circolatoria del principiante, tanto da farti sentire presto molto più in forma.

TRAINER: 60-70 % del massimo di pulsazioni

Questo livello è perfetto per chi voglia migliorare il proprio fitness e mantenerlo in ottime condizioni. Uno sforzo ragionevole e bilanciato migliora notevolmente le funzioni cardiovascolari e respiratorie; il training deve durare per almeno 30 minuti e deve essere fatto come minimo tre volte alla settimana. Per migliorare ulteriormente la tua condizione fisica, puoi aumentare la frequenza o l'intensità dello sforzo, ma non entrambi allo stesso tempo!

TRAINER ATTIVO: 70-80 % del massimo di pulsazioni

Le esercitazioni a questo livello vanno bene solo per coloro che hanno raggiunto una forma quasi perfetta e devono essere precedute da lunghi periodi di allenamenti "endurance".

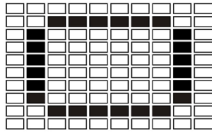
FUNZIONAMENTO

1. Disporre la chiave di sicurezza in posizione.
2. Premere il pulsante dell'alimentazione. Il monitor si accende. La finestra del programma visualizza ENTER WEIGHT (Inserire peso). Premere il pulsante +/- per inserire il peso.
3. Premere ENTER per confermare il valore impostato. La finestra del programma visualizza SELECT PROGRAM OR PRESS START (Selezionare programma o premere Start).
4. Premere il pulsante SELECT e selezionare il programma desiderato da 1 a 9 oppure User (Utente) da 1 a 3, utilizzando i pulsanti SPEED + - (Velocità +/-) o INCINE +- (Inclinazione +/-).

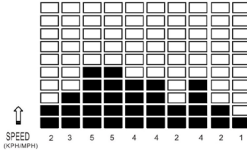


PROGRAMMI 1 - 17

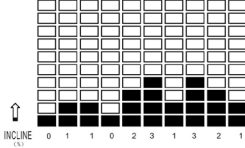
P1 Manual



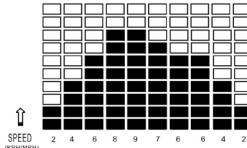
P6 Walking I



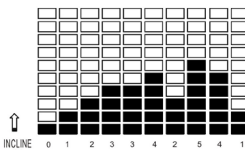
P2 Rolling hills



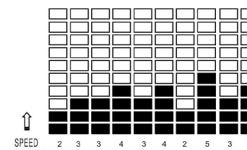
P7 Walking II



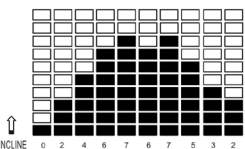
P3 Mountain Pass



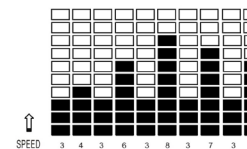
P8 Jogging



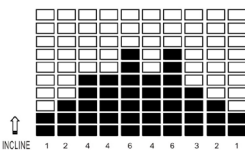
P4 Mountain Peak



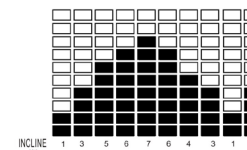
P9 Jogging Interval



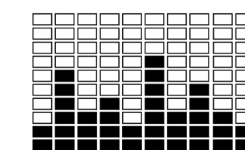
P5 Calorie Burn



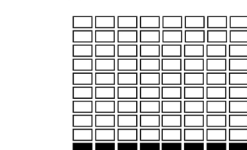
P10 Cardio Burn



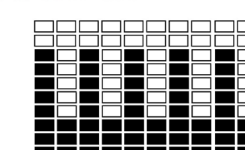
P11 Hill Interval



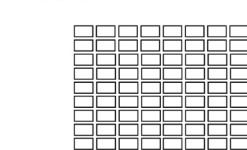
P15 U1



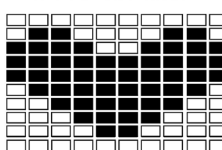
P12 Mountain Interval



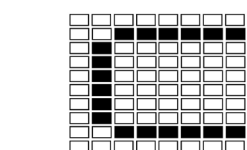
P16 U2



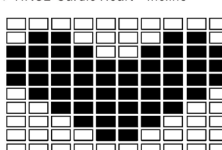
P13 HRC1-Weight Loss Speed



P17 BODYFAT



P14 HRC2-Cardio Heart Incline



Modificare i livelli del profilo:

1. Nella finestra del programma, la prima colonna della matrice LED lampeggia. Premere SPEED + / - (velocità +/-) per impostare il valore desiderato per la velocità e premere Incline +/- (Inclinazione +/-) per impostare il livello di inclinazione desiderato.
2. Premere il pulsante ENTER per confermare le impostazioni del profilo per la prima colonna.
3. Proseguire e completare l'impostazione profilo colonna per colonna.

MANUTENZIONE

Per utilizzare l'attrezzo con la massima sicurezza, eseguirne periodicamente la manutenzione controllando la presenza di guasti o segni di usura.

PULIZIA DAL TREADMILL ED LUBRIFICAZIONE

La mancata lubrificazione del treadmill può invalidare la garanzia del prodotto.

Pulite i corrimano ed il pannello dalle polveri con un panno umido, senza usare solventi. Usate un'aspirapolvere con punta piccola per pulire dalla polvere tutte le parti visibili (nastro, piattaforma, bordi dei rulli etc.). Aspirate anche nelle grate del motore. Anche l'ambiente adiacente al treadmill va conservato pulito. In fase esecutiva, sul treadmill potrebbero concentrarsi polveri o altro sudiciume, con conseguenze dannose al funzionamento dell'apparato.

Per un uso domestico medio (massimo 60 minuti al giorno), si consiglia di controllare la lubrificazione una volta al mese, lubrificando il tappeto solo se necessario. Per un uso più intensivo, è necessario controllare la lubrificazione più frequentemente. Si consiglia di eseguire questo controllo prima di iniziare una sessione di allenamento. Per controllare la lubrificazione, attenersi alla procedura riportata di seguito.

1. Accertarsi che il treadmill sia spento. Posizionarsi sul tappeto, in corrispondenza dell'area in cui normalmente si corre.
2. Afferrare il manubrio orizzontale e far scorrere il tappeto con i piedi avanti e indietro. Il movimento del tappeto deve essere fluido, uniforme e silenzioso.
3. In presenza di un movimento a scatti o se il tappeto non scorre, inserire una mano sotto il tappeto per verificare che sia lubrificato.

Per lubrificare, attenersi alla procedura riportata di seguito:

1. Fissare il beccuccio del tubicino di lubrificazione al contenitore T-Lube S.
2. Sollevare il tappeto e bloccarlo.
3. Posizionare il beccuccio tra il tappeto e la base. Raggiungendo il più possibile il centro della pedana.
4. Spruzzare il lubrificante per 2-3 secondi.
5. Abbassare la pedana nella sua posizione normale. Utilizzare il treadmill per una sessione di allenamento o lasciarlo in attività almeno per 5 minuti.

! NOTA! Lubrificare il treadmill solo con il lubrificante in silicone T-Lube S. Per ulteriori informazioni sulla lubrificazione e la manutenzione o per ordinare ulteriori forniture di T-Lube, contattare il distributore Tunturi locale.

ALLINEAMENTO DEL NASTRO

Controllate la scorrevolezza del tappeto nel corso dell'esercizio ed eseguite le eventuali operazioni di



regolazione. Il nastro deve scorrere nella parte centrale dell'attrezzo. Normalmente non c'è bisogno di eseguire alcun tipo di allineamento, se

- il treadmill si trova su una superficie uniforme e la tensione del nastro è corretta
- il nastro si trova in posizione centrale

Se necessario, l'allineamento del nastro è regolato dai due dadi posti sul retro dell'attrezzo.

1. Accendere l'attrezzo e regolare la velocità su 5 km/h.
2. Se il nastro scivola a sinistra girare di 1/4 il dado a sinistra in senso orario e svitare di 1/4 il dado a destra in senso antiorario. Non girare più di 1/4 per volta. Se il nastro scivola a destra girare di 1/4 il dado a destra in senso orario e svitare di 1/4 il dado a sinistra in senso antiorario.
3. Se il nastro resta in centro, l'allineamento è corretto, altrimenti continuate ad effettuare piccole regolazioni come sopra finché il nastro non rimanga in centro. Se il nastro è lasciato per lunghi periodi toccare da una parte, si deteriora e deve essere cambiato. Questo non è coperto da garanzia perché è dovuto ad una mancanza di manutenzione.

REGOLAZIONE DELLA TENSIONE DEL NASTRO

Il nastro deve essere teso se scivola sui rulli. In uso normale, comunque, mantenete il più lento possibile! Per regolare la tensione del nastro si agisce sugli stessi dadi che si regolano per l'allineamento.

1. Accendere l'attrezzo e regolare la velocità su 5 km/h.
2. Stringere entrambi i dadi in modo uguale (1/4 in senso orario).
3. Camminando sul tappeto, e tenendosi ai corrimano, cercate di rallentarlo (come quando si cammina in discesa).

Se il nastro scivola, stringete ancora i dadi di 1/4 e ripetete il test. Se frenate violentemente il tappeto può scivolare.

Se, nonostante la regolazione, il tappeto si allenta continuamente, contatta il tuo fornitore.

DISTURBI DURANTE L'USO

! ATTENZIONE! Nonostante un continuo controllo della qualità, l'attrezzatura potrebbe talvolta presentare difetti e malfunzionamenti, causati da qualche singolo componente. Nella maggior parte dei casi, non c'è bisogno di mettersi a far riparare tutta l'attrezzatura, ma generalmente basta sostituire il pezzo o la parte difettosa. Se nel tuo treadmill compaiono delle funzioni che siano fuori dell'ordinario, gira l'interruttore di corrente in posizione OFF e aspetta per circa un minuto. Poi rimetti in funzione il tappeto ed assicurati che il fenomeno sia scomparso. Qualora non si presenti più il suddetto problema, l'attrezzo può essere usato come d'abitudine. Se però il problema non fosse scomparso, contatta il rivenditore.

Se l'attrezzo non funziona bene durante l'uso o se si ha bisogno dei pezzi di ricambio, contatta il tuo rivenditore Tunturi indicando che cosa ti tratta, le condizioni in cui la usi, la data di acquisto, il modello e il numero di serie del tuo attrezzo.

CODICI DISFUNZIONI

Il display fornisce le informazioni relative a malfunzionamenti da essa stessa rilevati.

E1: Funzionamento anomalo del sensore di velocità. Togliere la spina di corrente dell'attrezzo, attendere un minuto e riaccendere l'attrezzo. Se il messaggio di errore non viene più visualizzato, allora potrete continuare ad utilizzare l'attrezzo regolarmente. Se invece il messaggio di errore venisse visualizzato ancora una volta, allora raccomandiamo di contattare il rivenditore.

E3: Funzionamento anomalo del motore di sollevamento. Togliere la spina di corrente dell'attrezzo, attendere un minuto e riaccendere l'attrezzo. Se il messaggio di errore non viene più visualizzato, allora potrete continuare ad utilizzare l'attrezzo regolarmente. Se invece il messaggio di errore venisse visualizzato ancora una volta, allora raccomandiamo di contattare il rivenditore.

PROTEZIONE CONTRO IL SOVRACCARICO DI CORRENTE

Nel caso che, nell'uso del treadmill, il consumo di corrente cresca troppo, il dispositivo di protezione interrompe automaticamente l'afflusso di corrente, in quanto il pulsante della valvola fusibile, ubicato accanto all'interruttore, scatta all'infuori. Prima di continuare ad usare l'attrezzo, controlla soprattutto la lubrificazione del tappeto ed altre possibili cause di frizione, che abbiano fatto scattare la valvola fusibile. Poi premi il pulsante del fusibile all'ingiù, e l'attrezzo è di nuovo pronto per l'uso.

SPOSTAMENTO ED IMMAGAZZINAGGIO

COME RICHIUDERE IL TAPIS ROULANT

Al termine delle operazioni di montaggio, è possibile richiudere il tapis roulant in posizione verticale per riporlo fino al successivo utilizzo. Sollevare la piattaforma fino a quando non si blocca nella posizione appropriata. Quando la piattaforma si blocca in posizione, deve essere udito un "clic". Questo rumore indica che la piattaforma è bloccata e non può riaprirsi accidentalmente.

! AVVERTENZA: verificare che l'altezza del tapis roulant sia sul livello 0 prima di ripiegare la piattaforma. In caso contrario, il meccanismo potrebbe subire danni.

COME RIDURRE L'ALTEZZA DEL TAPIS ROULANT

Premere innanzi tutto il pedale, quindi spingere il telaio in direzione della console e lasciare che la piattaforma si abbassi verso il pavimento (Figura 6).

! IMPORTANTE: questo attrezzo è dotato di un dispositivo di sicurezza integrato per il ripiegamento che consente alla piattaforma di abbassarsi lentamente. Prima di abbassare la piattaforma, controllare che sotto di essa non vi siano bambini o oggetti.

! NOTA: benché un cilindro contenente gas scarichi la maggior parte del peso dalla piattaforma, prestare la massima attenzione quando si esegue questa operazione. Prima di spostare il tapis roulant Run 1.0, assicurarsi che il cavo di alimentazione sia scollegato dalla presa a muro e dalla presa dell'attrezzo. Ripiegare la piattaforma scorrevole mentre è bloccata e spingere l'attrezzo sulle rotelle di trasporto. Abbassare il tapis roulant a terra lentamente. Per il trasporto dell'attrezzo si raccomanda di utilizzare una base protettiva.

Figura 5

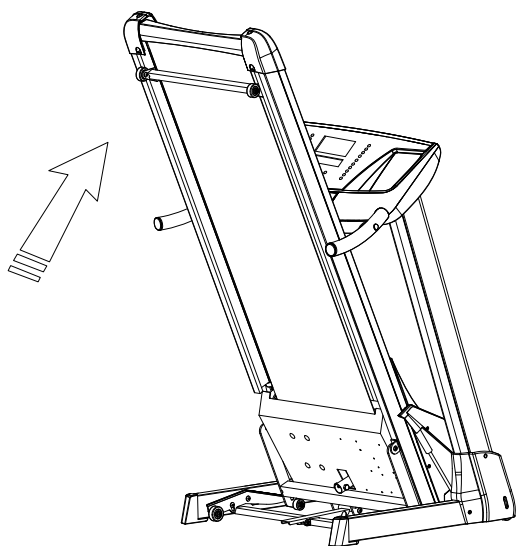
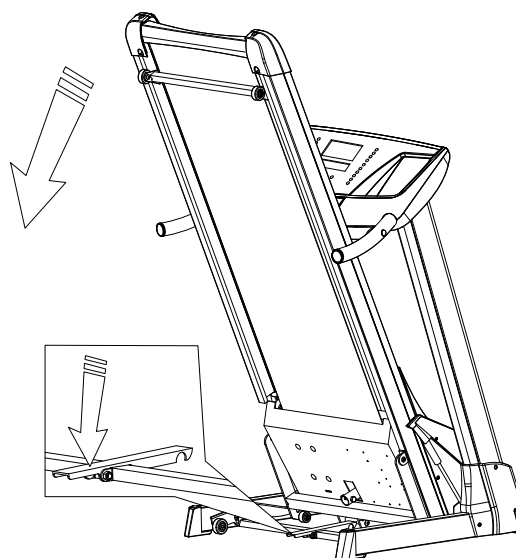


Figura 6



DATI TECNICI

Lunghezza	193 cm (93 cm)
Altezza	140 cm (181 cm)
Larghezza	91 cm
Peso	101 kg
Dimensioni nastro	51 x 150 cm
Velocità	0.8-20.0 km/h
Pendenza	0-12 %
Motore	2.0 CV

Tutti i modelli Tunturi sono stati progettati in conformità delle direttive dell'Unione Europea circa i congegni elettromagnetici, EMC (89/336/ CEE) e materiale elettrico destinato all'uso nell'ambito di determinati limiti di tensione (73/23/CEE) e possono perciò portare affisso il marchio di conformità CE.

A causa di una politica volta a un continuo sviluppo del prodotto, la Tunturi si riserva il diritto di effettuare cambiamenti nelle caratteristiche degli attrezzi, senza darne relativo preavviso.

! ATTENZIONE! La garanzia non copre danni derivanti da inosservanza, nel montaggio, regolazione e manutenzione, delle istruzioni fornite nella presente guida. Le istruzioni per montaggio, uso e manutenzione della tua attrezzatura, devono essere seguite con molta cura. Non rispondiamo di cambi o modifiche non espressamente approvate da Tunturi-Fitness.

Ti auguriamo di avere la gioia di fare tanti allenamenti, insieme al tuo nuovo amico Tunturi!

INDICE

MONTAJE	43
MONITOR	45
ASPECTOS GENERALES DEL ENTRENAMIENTO	46
FUNCIONAMIENTO	48
MANUTENZIONE	48
TRASLADO Y ALMACENAJE	49
DATOS TÉCNICOS	50

BIENVENIDO AL MUNDO TUNTURI DEL EJERCICIO

Su elección demuestra que Ud. realmente está dispuesto a invertir en su bienestar y en su condición física, y asimismo sabe apreciar la calidad y el estilo. Con el equipamiento de ejercicio Tunturi, Ud. ha elegido como compañero de entrenamiento un producto de alta calidad, seguro y motivador. Cualquiera sea su meta, puede estar seguro de que este equipo le acompañará hasta cumplirla. Encontrará información sobre el uso de su equipo de ejercicios y todo lo inherente a un entrenamiento eficiente en el sitio de Tunturi en Internet (WWW.TUNTURI.COM).

INFORMACIÓN Y PRECAUCIONES

Esta guía es una parte esencial de su equipo de entrenamiento. Lea atentamente esta guía antes del montaje, uso o mantenimiento de su equipo de ejercicio. Mantenga esta guía en lugar seguro; le brindará hoy y en el futuro la información que necesite para usar y mantener su equipo. Siga siempre atentamente sus instrucciones.

- Esta máquina sólo se debe enchufar a un enchufe con toma de tierra. No enchufe nunca la máquina a una alargadera. El consumo máximo de la máquina es de 10 A. Los enchufes a los que se conecten otros aparatos o cuya corriente fluctúe en más de un 10 % pueden producir el funcionamiento errático de la máquina o afectar negativamente a su electrónica. El uso de una corriente eléctrica distinta a la especificada en este manual anula la garantía explícita o tácita de la máquina.
- Esta máquina está equipada con un cordón con enchufe con toma de tierra. No cambie la clavija suministrada con la máquina. Si no la puede enchufar a su enchufe, pida a un electricista autorizado o a una persona familiarizada con el mantenimiento de aparatos electromecánicos que le instale uno adecuado, que cumpla además las normas en vigor.
- Antes de iniciar cualquier entrenamiento, consulte a un médico para revisar su estado de salud.
- Si siente náuseas, vértigo u otros síntomas anormales, deje el ejercicio inmediatamente y consulte a un médico.
- No intente hacer revisiones o ajustes no descritos en este Manual. Siga al pie de la letra las instrucciones de servicio. Antes de hacer cualquier tarea de montaje o mantenimiento compruebe si la máquina

está apagada y desenchufada.

- Esta máquina no se debe usar a la intemperie. El equipo tolera una temperatura ambiente de entre +10°C y + 35°C. La humedad relativa ambiente nunca debe exceder el 80 %.
- El equipo no puede ser usado por personas de más de 135 kg.
- Encontrará información más detallada sobre la garantía de su equipo de ejercicio en el libro de garantía suministrado con el equipo. Por favor anótese que la garantía no cubre daños debidos a transportes o negligencias de ajuste o no seguir instrucciones de mantenimiento descritas en este manual.

MONTAJE

Recomendamos que el montaje del aparato sea realizado por dos personas adultas. No saque la máquina de la caja: puede proteger el suelo utilizando el embalaje del aparato como base sobre la que realizar el montaje.

Antes de montar el aparato, compruebe que tiene todas las piezas necesarias:

1. Bastidor
2. Cable de alimentación
3. Kit de montaje (el contenido del kit está marcado con un * en la lista de piezas de recambio): guarde las herramientas de montaje ya que las puede necesitar, por ejemplo, para ajustar el equipo.

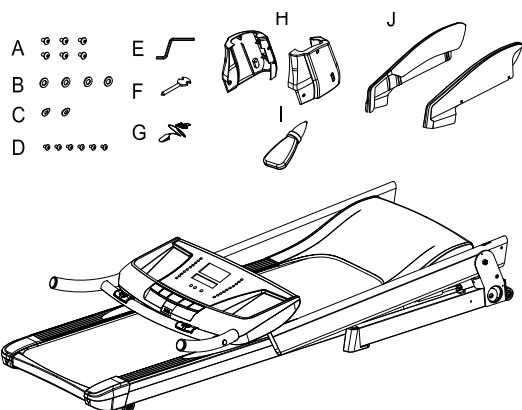
Si tiene problemas, póngase en contacto con el distribuidor de Tunturi. En las indicaciones de dirección hacia la izquierda, la derecha, la parte frontal y la parte posterior, se toma como referencia la postura que se adopta para realizar el ejercicio. Para evitar lesiones, doble hacia arriba la plataforma antes de elevar la cinta rodante para sacarla de la caja.

PASO 1

Busque la bolsa de las piezas metálicas y compruebe que contiene las piezas enumeradas en la siguiente tabla.



Figura 1

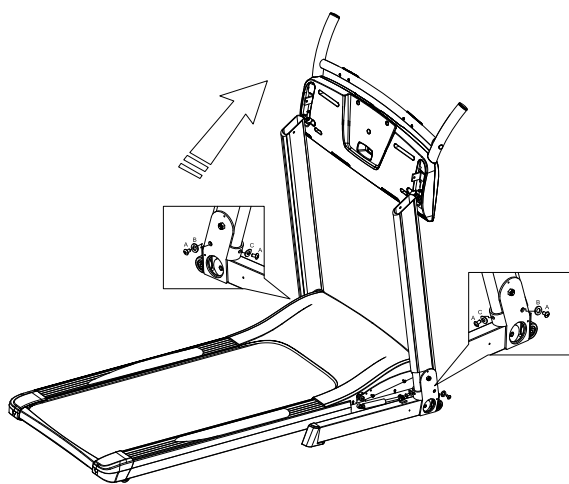


Part#	Description	Q'TY
A	Screw M8x20L	6
B	Washer Ø8xØ18	2
C	Washer Ø10xØ25	4
D	Screw M4x6L	6
E	Allen Key	1
F	Screwdriver	1
G	Safety Key	1
H	Side Cap	2
I	Lube	1
J	Incline Bracket Cover	2

PASO 2

Eleve la estructura vertical y, a continuación, coloque los tornillos (A) y las arandelas (B, C) en los orificios que hay en la parte inferior de la estructura. Utilice un destornillador (F) para apretar bien dichas piezas.

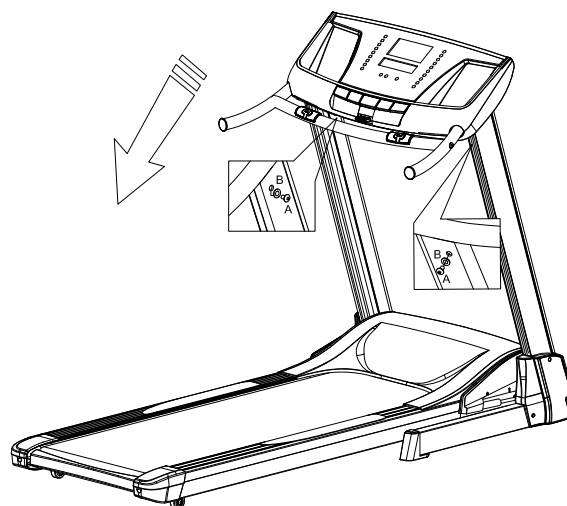
Figura 2



PASO 3

Coloque la consola en la posición correcta. Utilice la llave allen (E) para apretar los tornillos (A) y las arandelas (B) dentro de los orificios que hay en la parte superior de la estructura vertical.

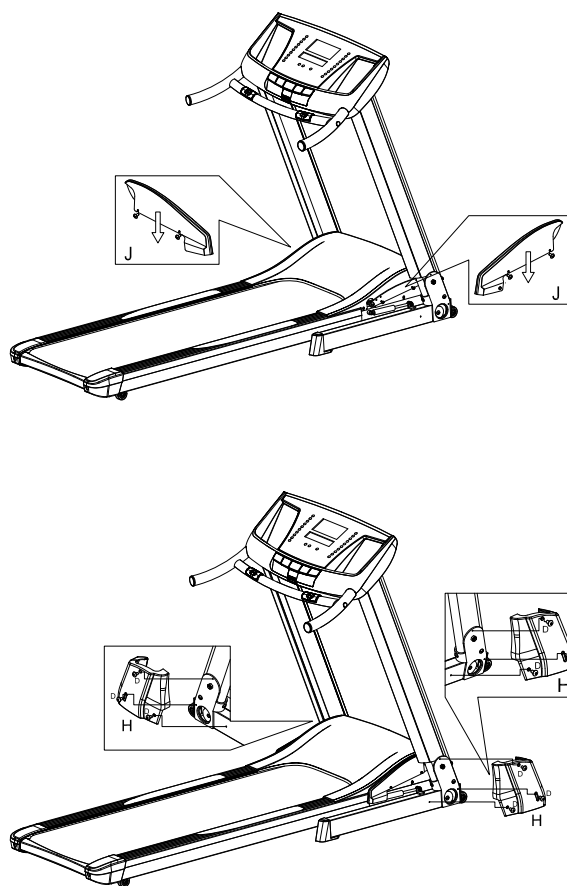
Figura 3



PASO 4

Coloque la tapa lateral (H) con los tornillos (D) en la parte inferior de la estructura vertical y apriete bien los tornillos.

Figura 4



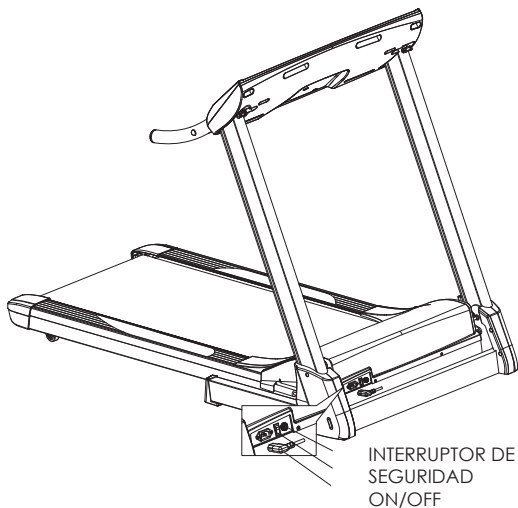
ADVERTENCIA:

El aparato se apaga si la carga eléctrica es superior a la que puede soportar. Para volver a encender el aparato, siga estos pasos:

- A. Desenchufe el cable de alimentación de la toma de corriente del aparato.
- B. Pulse el interruptor de seguridad



C. Vuelva a enchufar el cable de alimentación en la toma de corriente del aparato.



No pulse el interruptor de seguridad antes de desenchufar el cable de alimentación del aparato.

Si deja la cinta rodante enchufada después de apagar la consola, seguirá llegando corriente a la consola. Esta cinta rodante está equipada con un programa de control de seguridad que apagará automáticamente el aparato si no es utilizado después de 6 horas. Si el aparato se apaga automáticamente, siga estos pasos para volver a conectar la cinta rodante:

- Desenchufe el cable de alimentación de la toma de corriente del aparato.
- Vuelva a enchufar el cable de alimentación en la toma de corriente del aparato para volver a encenderlo.

MONITOR



FUNCIONES DE LAS TECLAS

Teclas de funciones principales:

1. ELEVATION +:

- Pulse esta tecla para aumentar el nivel de elevación de 0% a 12%. El aumento se muestra en la pantalla de RITMO CARDÍACO/ELEVACIÓN. Si la pulsa una vez, aumentará la elevación un 1%. Para acelerar el aumento, manténgala pulsada 2 segundos.
- Pulse este botón para elegir el programa: P1, P2, P3, P4, ..., U1 y U2.

2. ELEVATION -:

- Pulse esta tecla para reducir el nivel de elevación de 0% a 12%. El aumento se muestra en la pantalla de RITMO

CARDÍACO/ELEVACIÓN. Si la pulsa una vez, reducirá la elevación un 1%. Para acelerar la reducción, manténgala pulsada 2 segundos.

- Pulse este botón para elegir el programa: P1, U3, U2, U1, P9, P8, P7, P6, P5, P4, P3 y P2.

3. POWER: Pulse este botón para conectar y desconectar el aparato.

4. START/STOP: Sirve para iniciar o parar el programa.

5. SELECT:

- Sirve para cambiar de un programa a otro siguiendo este orden: p1, p2, p3, p4, ..., USER SETTING 1 y USER SETTING 2.
- Mientras realiza el ejercicio, pulse este botón para buscar en la función de ritmo cardíaco y elevación.

6. ENTER/RESET:

- Pulse este botón para confirmar el programa o el valor de ajuste deseado.
- Mantenga el botón pulsado durante 2 segundos para poner a cero todos los valores en modo inicial.

7. SPEED +:

- Pulse esta tecla para aumentar el nivel de velocidad de 0,8 KPH a 20,0 KPH (0,5 a 12,5 MPH), que aparecerá en la pantalla de VELOCIDAD. Si la pulsa una vez, aumentará la velocidad 0,2 KPH (0,1 MPH). Para acelerar el aumento, manténgala pulsada más de 2 segundos.

- Pulse este botón para elegir el programa: P1, P2, P3, P4, ..., U1 y U2.

8. SPEED -:

- Pulse esta tecla para reducir el nivel de velocidad de 0,8 KPH a 20,0 KPH (0,5 a 12,5 MPH), que aparecerá en la pantalla de VELOCIDAD. Si la pulsa una vez, disminuirá la velocidad 0,2 KPH (0,1 MPH). Para acelerar la reducción, manténgala pulsada más de 2 segundos.

- Pulse este botón para elegir el programa: P1, U3, U2, U1, P9, P8, P7, P6, P5, P4, P3, P2.

Teclas de velocidad:

Las 6 teclas de velocidad están configuradas como 4, 6, 8, 10 y 12 KPH o como 2, 4, 6, 8, 10 MPH. Por ejemplo, puede cambiar la velocidad a 8 KPH pulsando la tecla de velocidad 8.

Teclas de elevación:

Las 6 teclas de inclinación están configuradas como 2, 4, 6, 8 y 10%. Por ejemplo, puede cambiar la elevación a 4% pulsando la tecla de elevación 4.

Tecla Speed Quick-Access (Acceso Rápido de Velocidad):

- + : Igual que Speed +
- : Igual que Speed -

Tecla Incline Quick-Access (Acceso Rápido de Inclinación):

- + : Igual que Incline +
- : Igual que Incline -

PANTALLAS Y RANGOS DE FUNCIONAMIENTO

A. PANTALLA DE TIEMPO: Muestra la duración del ejercicio en sentido ascendente o descendente. Si la cinta rodante está desactivada y la llave de seguridad está en ON, puede elegir esta pantalla pulsando "ENTER" y ajustando el valor con "+" o "-". El recuento ascendente es de 00:00 a 99:59 y el recuento descendente es de 10:00 a 99:00. Mientras se realiza el recuento descendente a 00:00, el monitor parpadeará 12 veces y, posteriormente, se parará la cinta rodante.

B. PANTALLA DE VELOCIDAD: Muestra la velocidad a la que se mueve la cinta rodante. Puede ajustar la velocidad pulsando "SPEED+" y "SPEED-" para avanzar de 0,5 a 12MPH o de 0,8 a 20 KPH.

C. PANTALLA DE DISTANCIA: Muestra la distancia con recuento ascendente o descendente mientras la cinta rodante no está activada y la llave de seguridad está en On. Para llegar a esta pantalla, pulse ENTER y, a continuación, las teclas SPEED +/- o ELEVATION +/- . El rango de recuento ascendente es de 0,00 a 999MPH/KPH, y el rango de recuento descendente es de 999 a 0 MPH/KPH. Mientras se realiza el recuento descendente hasta 0,00, el monitor parpadeará 12 veces y, posteriormente, se parará la cinta rodante.

D. PANTALLA DE KCAL: Muestra las calorías con recuento ascendente o descendente mientras la cinta rodante no está activada y la llave de seguridad está en On. Para llegar a esta pantalla, pulse ENTER y, a continuación, las teclas SPEED +/- o ELEVATION +/- . El rango de recuento ascendente es de 0,00 a 999 Kcal, y el rango de recuento descendente es de 999 a 0,00 Kcal. Mientras se realiza el recuento descendente hasta 0,00, el monitor parpadeará 12 veces y, posteriormente, se parará la cinta rodante.

E. PANTALLA DE RITMO CARDÍACO/ELEVACIÓN: El valor por defecto que se muestra es el ritmo cardíaco y el indicador de RITMO CARDÍACO está activado. Cambia al modo de elevación (%) mientras se ajusta y el indicador de ELEVACIÓN está activado.

INSTRUCCIONES DE FUNCIONAMIENTO

(Léalas atentamente antes de utilizar el aparato):

A. RECOMENDACIONES DE SEGURIDAD:

Para empezar, conecte el aparato e introduzca la llave de seguridad en el monitor. Si no lo hace, el aparato no funciona y no se enciende la pantalla LED. Enganche el otro extremo de la llave de seguridad al usuario antes de iniciar el ejercicio para garantizar que el aparato se pare si el usuario se sale de la cinta rodante por accidente. Si ocurriera esto, la llave de seguridad se saldría del monitor, de manera que se pararía inmediatamente la cinta rodante para evitar mayores lesiones.

B. SELECCIÓN DE PROGRAMAS:

Se incluyen 17 programas: 12 programas predeterminados y 2 programas de ajuste del usuario. Dichos programas pueden elegirse pulsando la tecla "SELECT".

C. GRÁFICOS DEL PROGRAMA:

Los gráficos de la pantalla PROGRAMA corresponden al perfil de velocidad pero la inclinación también cambia durante el ejercicio. En la pantalla, hay un total de 10 columnas. Sin ajustar el valor de TIEMPO, cada programa dura 20 minutos, correspondiendo 2 minutos a cada intervalo de la columna. Ajustando el valor del tiempo, cada intervalo varía.

D. HACER EJERCICIO MARCÁNDOSE UN OBJETIVO ESPECÍFICO:

En cualquier programa, el usuario puede cambiar los valores del TIEMPO antes de realizar el ejercicio. Pulse la tecla "ENTER" para elegir el valor y pulse "SPEED + & SPEED -" para cambiar el valor. Si no se cambian los valores y todos son 0, el usuario puede utilizar el aparato hasta que lo apague. El usuario también puede introducir

el valor de TIEMPO deseado para que se realice el recuento descendente. Por ejemplo, el TIEMPO se configura en 10 minutos y, transcurridos los 10 minutos, la cinta rodante se parará.

E. RITMO CARDÍACO:

Hay dos formas de medir el ritmo cardíaco. Puede utilizar el sensor manual del pulso o un cinturón pectoral. Los sensores del manillar en las barandillas toman la medición del pulso cuando el usuario toca ambos sensores simultáneamente. Una medición fiable del pulso requiere que la piel esté constantemente en contacto con los sensores y que esté ligeramente húmeda. Una piel demasiado seca o demasiado húmeda puede interferir con la medición del pulso. Observe asimismo que, en caso de que durante el ejercicio las piernas golpeen fuertemente la cinta, pueden aparecer alteraciones que a su vez pueden comprometer la fiabilidad de la medición del pulso en la mano. A fin de garantizar la seguridad de uso, le recomendamos que realice la medición del pulso durante un ejercicio a velocidad de paseo o permaneciendo inmóvil bien de pie en los bordes de la superficie de carrera bien deteniendo la cinta.

ASPECTOS GENERALES DEL ENTRENAMIENTO

SOBRE SU SALUD

- Para evitar dolores y tensiones musculares, comience y finalice cada sesión con ejercicios de estiramiento.

SOBRE EL ESPACIO DE EJERCICIO

- Esta máquina no se debe usar a la intemperie. El equipo tolera una temperatura ambiente de entre +10°C y + 35°C. La humedad relativa ambiente nunca debe exceder el 80 %.
- Coloque el equipo sobre una superficie firme y nivelada. Deje unos 100x200 cm de espacio detrás de la máquina y unos 60 a cada lado y delante.
- Es una buena idea colocar el equipo sobre una base protectora.
- Verifique que el sitio de ejercicio tenga una ventilación adecuada. Para evitar resfriados, no haga ejercicio en un sitio con corrientes de aire.

SOBRE EL USO DEL EQUIPO

- Cierre siempre el interruptor de alimentación después de su sesión de ejercicios.
- Los padres u otros responsables de menores deben notar que el espíritu de juego y la curiosidad natural de los niños pueden conducir a situaciones para las que el equipo no está diseñado. Si se les permite a los niños usar el equipo de ejercitación, deben ser supervisados y educados en el uso del mismo, considerando su desarrollo físico y mental y su personalidad.
- Sólo una persona por vez puede usar el equipo.
- Mantenga las manos alejadas de las piezas móviles. No ponga nunca las manos, los pies u otros objetos bajo la máquina de caminar.
- Para hacer ejercicio lleve ropa y calzado adecuado. Atese bien los cordones de los zapatos. Para evitar heridas o un desgaste innecesario de la máquina,



limpie bien la suela de sus zapatos de las piedras o gravilla que pudiera tener.

- Antes de comenzar a usar el equipo, asegúrese de que funciona correctamente en todo sentido. No use un equipo averiado.
- No use la máquina sin los protectores.

COMIENZO DE SESIÓN

- Si siente náuseas, vértigo u otros síntomas anormales, deje el ejercicio inmediatamente y consulte a un médico.
- Para evitar dolores y tensiones musculares, comience y finalice cada sesión con ejercicios de estiramiento.
- Cuando no ande, coloque los pies en los raíles izquierdo y derecho. No permanezca de pie sobre la cinta en movimiento.
- Al subir o bajar de la máquina y al cambiar de velocidad durante el ejercicio, agárrese bien al manillar. No salte de la máquina mientras esté en movimiento.

AL FINAL DE SESIÓN

- Desconecte la llave de seguridad de la interfaz.
- Apague la máquina con el interruptor.
- Desenchufar la máquina del conector y de la corriente.
- Si fuera necesario, limpie la máquina con un paño húmedo. No use disolventes.
- Guarde el cordón donde no estorbe y fuera del alcance de los niños.

CUÁL ES LA MEJOR MOTIVACIÓN PARA CONTINUAR

Es fácil comenzar a hacer ejercicios, pero aún más fácil es abandonarlos. Para lograr las metas que Ud. se fije, necesitará una motivación constante para continuar hasta alcanzar su objetivo inmediato: una mejor calidad de vida y salud para toda la vida. Recuerde:

- Fijese metas realistas.
- Progrese paso a paso siguiendo su propio cronograma.
- Lleve un diario de su estado y anote sus progresos.
- Modifique sus formas de ejercicio de tiempo en tiempo.
- Use su imaginación.
- Hágase una auto-disciplina.

Ud. es quien mejor sabe cómo encontrar su motivación interior. No haga del ejercicio un asunto demasiado importante; su primer objetivo será simplemente hacerse el hábito de entrenar. Sólo cuando la actividad física regular le resulte algo natural, fijese nuevas metas. Un aspecto importante de su entrenamiento es la versatilidad. Un entrenamiento variado ejercita diferentes grupos musculares y le ayuda a mantener la motivación.

RITMO CARDÍACO

Le pulsazioni si possono misurare telemetricamente. Nel pannello è già montato un ricevitore compatibile con i trasmettitori telemetrici.

Sea cual sea su objetivo, obtendrá los mejores resultados entrenando a un nivel de esfuerzo adecuado, para lo cual el mejor indicador es su propio ritmo cardíaco. Determine primero su ritmo cardíaco máximo, es decir, el ritmo que ya no aumenta al incrementarse el esfuerzo. Si Ud. no conoce su ritmo cardíaco máximo, use como guía la siguiente fórmula:

220 - EDAD

Estos son valores promedio, y el máximo varía según las personas. El ritmo cardíaco máximo disminuye en promedio un punto por año. Si Ud. pertenece a alguna de los grupos de riesgo, solicite a un médico que le mida su ritmo cardíaco máximo. Hemos definido tres zonas diferentes de ritmo cardíaco para ayudarle en su entrenamiento dirigido.

PRINCIPIANTE: 50-60 % del ritmo cardíaco máximo
También recomendable para "vigilantes de peso", convalecientes y personas que no hayan hecho ejercicio físico durante largo tiempo. Se recomiendan tres sesiones semanales de por lo menos media hora cada una. El ejercicio regular mejora considerablemente las funciones respiratorias y circulatorias de los principiantes, quienes rápidamente sentirán el progreso.

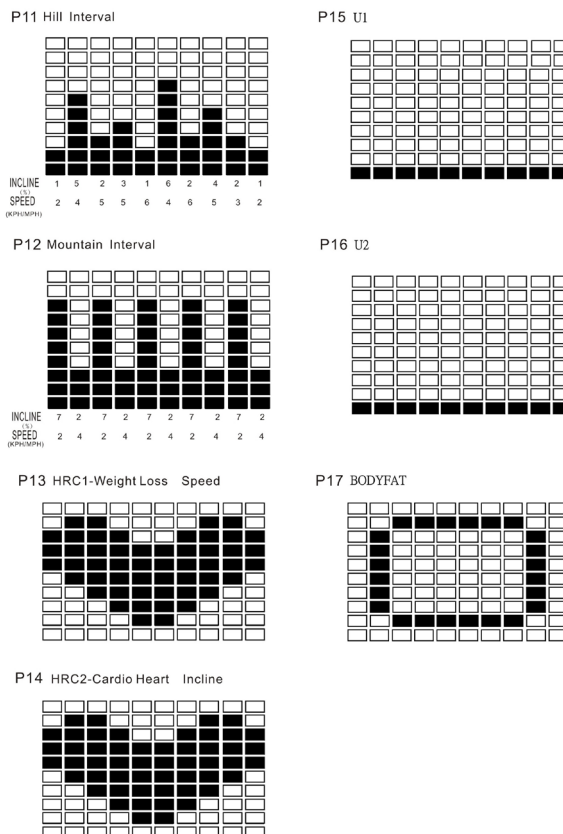
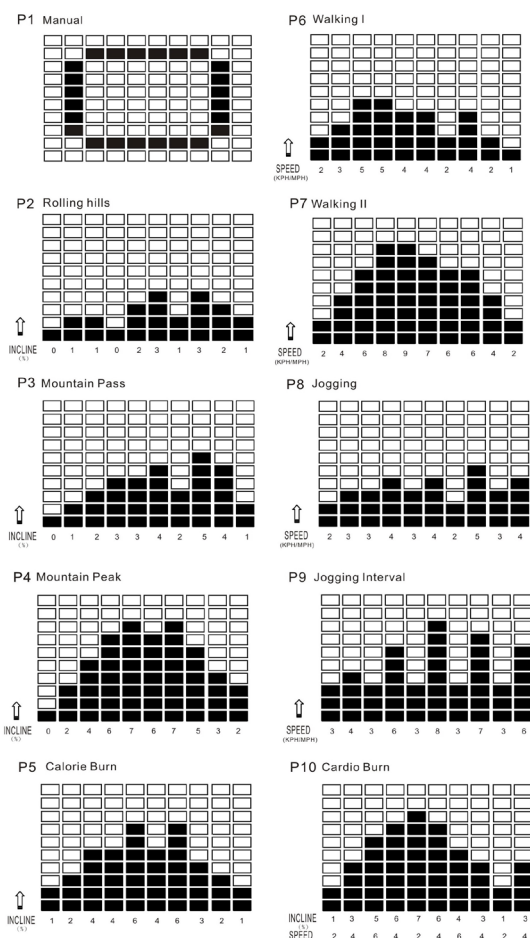
ENTRENAMIENTO: 60-70 % del ritmo cardíaco máximo
Perfecto para una ejercitación de progreso y mantenimiento. Un esfuerzo regular y razonable desarrolla efectivamente el corazón y los pulmones entrenando un mínimo de 30 minutos al menos tres veces por semana. Para mejorar aún más su condición, aumente o la frecuencia o el esfuerzo, pero no ambos al mismo tiempo.

ENTRENAMIENTO ACTIVO: 70-80 % del ritmo cardíaco máximo
El ejercicio de este nivel es adecuado sólo para quienes están en óptimo estado, y presupone trabajos de alto rendimiento.

FUNCIONAMIENTO

1. Coloque la llave de seguridad en Safety key.
2. Pulse el botón de encendido/apagado. El monitor se encenderá y, en la ventana del programa, aparecerá ENTER WEIGHT. Pulse el botón +/- para introducir el peso.
3. Pulse ENTER para confirmar el valor de ajuste. En la ventana de programas, aparecerá SELECT PROGRAM OR PRESS START.
4. Pulse el botón SELECT para elegir el programa (1-9) o el usuario (1-3) deseados pulsando los botones SPEED + / - o INCLINE + / -.

PROGRAMAS 1 - 9



MANTENIMIENTO

El equipo resulta seguro sólo si somete periódicamente a labores de mantenimiento y se compruebe si hay averías o piezas desgastadas.

LIMPIEZA Y LUBRICACION

La falta de lubricación de la cinta para correr puede anular la garantía del producto

Quite el polvo de las superficies de la máquina, sobre todo de los manillares y del contador, con un paño o toalla húmedos. No use disolventes. Limpie con una aspiradora de boquilla fina todos los componentes de la máquina (cinta, base de la cinta, raíles laterales, etc.). Mantenga también limpia la zona alrededor de la cinta. Al utilizar la misma se acumula polvo que puede causar errores en el funcionamiento.

Si realiza un uso doméstico medio de un máximo de 60 minutos al día, debe comprobar la lubricación de su cinta para correr una vez al mes; aunque sólo tiene que lubricarla si lo necesita. Si el uso es mayor, tendrá que comprobar la lubricación más a menudo. Realice esta operación antes de comenzar una sesión de entrenamiento. Compruebe la lubricación de la siguiente manera:

1. Asegúrese de que la cinta para correr está apagada. Súbase a la máquina y colóquese en el lugar de la cinta donde corre normalmente.
2. Agarre el manillar horizontal e impulse la cinta con los pies para que se desplace hacia delante y atrás. La cinta debería deslizarse con suavidad y, normalmente, sin



hacer ruido.

3. Si nota alguna vibración o si la cinta no se desliza, compruebe la lubricación pasando la mano por debajo de la cinta.

Proceda a lubricar de la siguiente manera:

1. Ajuste la boquilla del tubo de lubricación en el envase de T-Lube S.
2. Levante la cinta andadora y bloquéela.
3. Coloque la boquilla entre la cinta y la placa. Intente acercar el pulverizador lo más al centro posible de la plataforma de la máquina.
4. Pulverice el lubricante durante 2-3 segundos.
5. Coloque la plataforma de la máquina en su posición normal. Utilice la cinta para correr y realice una sesión de entrenamiento. O bien, deje que la cinta gire sola durante al menos 5 minutos.

! NOTA: Lubrique la cinta para correr únicamente con el lubricante de silicona T-Lube S. Contacte con su distribuidor local Tunturi para adquirir unidades de T-Lube, o para obtener más información sobre la lubricación y el mantenimiento.

AJUSTE DE LA CINTA RODANTE

Observe el movimiento de la cinta durante el ejercicio y lleve a cabo los siguientes ajuste siempre de inmediato al darse cuenta de la necesidad de hacerlo. La cinta debe rodar por el centro del armazón. Generalmente no tendrá que alinearla, siempre que:

- la máquina esté situada sobre una superficie horizontal y bien lisa y la cinta esté bien tensa;
- la cinta esté bien alineada.

Sin embargo se puede desplazar a un lado según sea el estilo de correr del usuario (p. ej., que cargue más peso sobre una pierna). La alineación de la cinta se hace girando los dos pernos que hay detrás de la máquina.

1. Encienda la máquina y aumente la velocidad de la cinta hasta 5 km/h.
2. Si la cinta se desplaza hacia la izquierda, gire el perno de ajuste de la izquierda 1/4 de vuelta en el sentido de las agujas del reloj y el perno de la derecha 1/4 de vuelta en sentido contrario. No apriete más de 1/4 de vuelta cada vez, pues basta con un giro muy pequeño. Si la cinta se desplaza hacia la derecha, gire el perno de ajuste de la derecha 1/4 de vuelta en el sentido de las agujas del reloj y el perno de la izquierda 1/4 de vuelta en sentido contrario.
3. Si ve que la cinta gira centrada, ya está hecho el ajuste. Si no, siga con el anterior procedimiento hasta que quede centrada. Si deja la cinta desplazada hacia un lado mucho tiempo, los bordes se rozarán y no girará correctamente. La garantía no cubre los daños causados en la cinta por falta de los ajustes necesarios.

AJUSTE DE LA TENSION DE LA CINTA

Si la cinta patina sobre los rodillos, hay que tensarla. Sin embargo, durante el uso normal tiene que estar lo menos tensa posible. La tensión de la cinta se ajusta girando los mismos pernos utilizados para alinearla.

1. Poner en marcha la cinta a 5 km/h.
2. Gire los dos tornillos de ajuste en el sentido de las agujas del reloj aproximadamente 1/4 de vuelta cada uno.
3. Trate de frenar la cinta poniéndose encima, sujetándose al manillar con las dos manos y parándola con los pies (como si estuviera bajando una cuesta). Si la cinta resbala, gire otra vez los pernos 1/4 de vuelta y repita el procedimiento. Si intenta frenar muy fuerte, la

cinta resbalará. Si la cinta sigue resbalando a pesar de los ajustes, contacte con el distribuidor del equipo.

DEFECTOS DE FUNCIONAMIENTO

! NOTA: Pese al continuo control de calidad que realizamos, el equipo puede presentar defectos o malfuncionamientos debidos a fallos en componentes individuales. En la mayoría de los casos no es necesario llevar todo el equipo a reparar, y generalmente es suficiente con reemplazar la parte defectuosa. En el reverso de esta guía encontrará la lista de piezas. Si el equipo no funciona correctamente durante su uso, tome contacto inmediatamente con su proveedor Tunturi, informando el modelo y el número de serie del equipo.

En el caso que se produzcan funciones anormales en el equipo coloque el interruptor en la posición OFF y espere aproximadamente un minuto. Vuelva a poner en marcha la cinta para comprobar que el aparato ya funciona adecuadamente. En este caso puede seguir utilizando el equipo. Si el problema persiste, póngase en contacto con el distribuidor del equipo.

CÓDIGOS DE ERROR

El contador informa de los fallos detectados indicándolos en la pantalla.

E1: Avería en el sensor de velocidad. Desenchufar la máquina de la corriente, espere un minuto y vuelva a encenderla. Si el mensaje de error ha desaparecido, podrá utilizar el aparato con normalidad. En el caso de que el mensaje de error no hubiera desaparecido, debería ponerse en contacto con el vendedor del producto.

E3: Avería en el motor de sustentación. Desenchufar la máquina de la corriente, espere un minuto y vuelva a encenderla. Si el mensaje de error ha desaparecido, podrá utilizar el aparato con normalidad. En el caso de que el mensaje de error no hubiera desaparecido, debería ponerse en contacto con el vendedor del producto.

PROTECTOR DE SOBRECARGA

Si el consumo de corriente de la cinta aumenta demasiado el protector desconecta la corriente como medida de seguridad y salta el fusible situado junto al interruptor. Antes de volver a usar el equipo compruebe la lubricación de la cinta y los demás factores que hayan podido producir la desconexión. Tire del fusible hacia abajo y el equipo estará otra vez listo para usar.

TRASLADO Y ALMACENAJE

CÓMO PLEGAR LA CINTA RODANTE

Una vez finalizado el montaje, puede plegar la cinta rodante y dejarla en posición vertical para que ocupe menos espacio y la pueda guardar. Eleve la plataforma hasta que se bloquee y quede en posición de almacenamiento.

Deberá oír el chasquido de la plataforma para saber que ha quedado bloqueada en la posición de almacenamiento y asegurarse que no se caerá.



⚠ ADVERTENCIA: Asegúrese de que la elevación de la cinta rodante es de 0 antes de plegar la plataforma. Si no es así, podría dañar el mecanismo.

CÓMO BAJAR LA CINTA RODANTE

En primer lugar, coloque el pie en el pedal y, a continuación, empuje el bastidor hacia la consola y deje que la plataforma baje hasta el suelo (Figura 6).

⚠ NOTA: Este aparato cuenta con un dispositivo de seguridad para bloquear el despliegue con el fin de que la plataforma baje lentamente. Asegúrese de que no hay niños ni objetos debajo de la plataforma cuando la quiera bajar.

⚠ NOTA: Manipule el aparato con cuidado a pesar de que incorpora un cilindro de gas que absorbe la mayor parte del peso de la plataforma.

Antes de desplazar el Run 1.0, asegúrese de que el cable de alimentación está desenchufado de la toma de la pared y de la toma de la cinta rodante. Pliegue hacia arriba la plataforma hasta que quede bloqueada y empuje el equipo con las ruedas de transporte. Baje la cinta rodante al suelo con cuidado.

Se recomienda utilizar una base protectora para transportar el equipo.

Figura 5

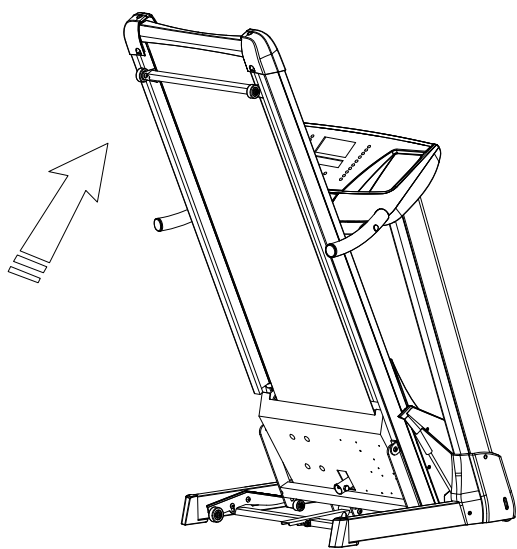
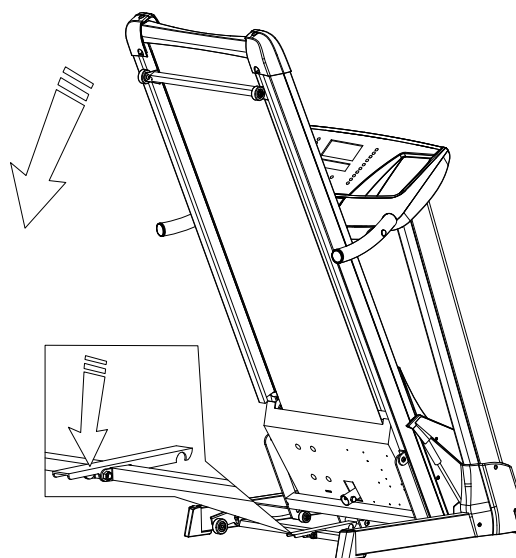


Figura 6



DATOS TÉCNICOS

Longitud	193 cm (93 cm)
Altura	140 cm (181 cm)
Anchura	91 cm
Peso	101 kg
La cinta rodante	51 x 150 cm
Velocidad	0.8-20.0 km/h
Grados de inclinación	0-12 %
Motor	2.0 CV

Todos los modelos Tunturi están diseñados de modo que cumplen la directiva de la UE sobre compatibilidad electromagnética, EMC (89/336/EEC) y equipo eléctrico diseñado para su uso dentro de ciertos límites de tensión (72/23(EEC)). Por lo tanto, este producto ostenta la etiqueta CE.

Debido a nuestro continuo programa de desarrollo del producto, nos reservamos el derecho a cambiar sus especificaciones sin previo aviso.

⚠ NOTA: La garantía no cubre daños debidos a negligencias en los procedimientos de montaje, ajuste y mantenimiento descritos en esta guía. Deben seguirse estrictamente estas instrucciones en el montaje, uso y mantenimiento de su equipo. Cambios o modificaciones no expresamente aprobados por Tunturi-Fitness no están autorizados a los usuarios.

Le deseamos muchas agradables sesiones de entrenamiento con su nuevo compañero de ejercicio Tunturi.



INNEHÅLL

MONTERING	51
MÄTARE	53
ALLMÄNT OM TRÄNING	54
IGÅNGSÄTTNING	55
UNDERHÅL	56
TRANSPORT OCH FÖRVARING	57
TEKNISKA DATA	58

VÄLKOMEN TIL TUNTURIS TRÄNINGSVÄRLD!

Ditt val visar att du verkligen vill investera i din kondition och ditt välbefinnande; det visar också att du verkligen värdesätter hög kvalitet och stil. Med ett träningsredskap från Tunturi har du valt en säker och motiverande produkt av hög kvalitet till träningspartner. Oberoende av vilken målsättning du har, är vi säkra på att det här är den rätta utrustningen för att du skall nå ditt mål.

Du kan hitta information om hur du ska använda ditt träningsredskap och hur man tränar effektivt på Tunturis webbplats på adressen WWW.TUNTURI.COM.

ANMÄRKNINGAR OCH VARNINGAR

Denna handbok är en väsentlig del av ditt träningsredskap. Börja bekanta dig med redskapet genom att först läsa igenom den här handboken. Den innehåller den information du behöver för att kunna montera, använda och underhålla ditt nya redskap. Spara denna handbok, för du kan behöva instruktionerna senare. Följ alltid dessa instruktioner noggrant.

- Löpbandet får endast anslutas till jordat uttag. Använd inga skarvsladdar när löpbandet ansluts till nätet. Den maximala strömförbrukningen är 10 A. Variationer i nätspänningen på mer än 10 % kan leda till felfunktioner och skada elektroniken. Garantin upphör att gälla om redskapet ansluts i strid med instruktionerna i denna bruksanvisning.
- Redskapets nätkabel är försedd med jordad kontakt och stickdosa. Eventuella ändringar får endast utföras av person, som har kvalifikation att serva elmekaniska redskap enligt de bestämmelser som gäller i respektive land.
- Konsultera din läkare för att kolla upp din hälsa innan du börjar träna.
- Utför endast de service- och justeringsåtgärder, som nämns i denna bruksanvisning. Givna anvisningar bör följas. Försäkra dig alltid om att stickproppen är urdragen innan du börjar montera eller göra underhåll på redskapet.
- Redskapet får inte användas utomhus. Redskapet tål vid träning en omgivning från +10°C till +35°C. Luftfuktigheten får aldrig överskrida 80 %.
- Redskapet får inte användas av personer som väger mer än 135 kg.
- Utförligare information om träningsredskapets garanti hittar du i den bifogade garantiboken. Observera att garantin inte täcker skador uppkomna genom

försumlighet av inställningen och justeringar eller underlåtenhet att följa givna anvisningarna.

MONTERING

Vi rekommenderar två vuxna för monteringen av redskapet. Lyft löpbandet inte ur lådan: för att skydda golvet, montera löpbandet på emballaget.

Försäkra dig om att alla delar finns tillgängliga innan monteringen påbörjas::

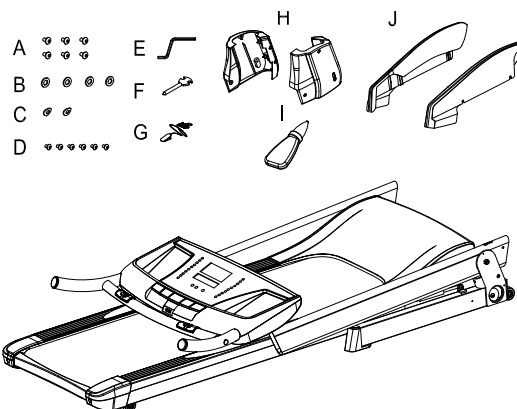
1. Ram
2. Strömsladd
3. Monteringskit (innehållet markeras med en * i reservdelslistan): spara monteringsverktygen då de kan behövas vid framtida justering av utrustningen.

Vid problem, kontakta din Tunturi-handlare. Riktningshandvisningarna vänster, höger, fram och bak är definierade sett från träningspositionen. För att undvika skador måste du vika upp däckets innan löpbandet lyfts ut ur lådan.

STEG 1

Ta fram skrupåsen och de delar som visas nedan.

Figur 1

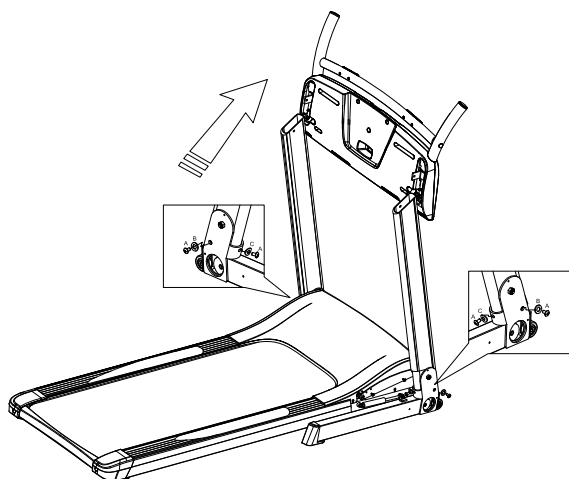


Part#	Description	Q'TY
A	Screw M8x20L	6
B	Washer Ø8xØ18	2
C	Washer Ø10xØ25	4
D	Screw M4x6L	6
E	Allen Key	1
F	Screwdriver	1
G	Safety Key	1
H	Side Cap	2
I	Lube	1
J	Incline Bracket Cover	2

STEG 2

Lyft upp överdelen, placera sedan skruvarna (A) och brickorna (B, C) i hålen vid botten på överdelen. Använd skruvmejseln (F) för att dra åt dem ordentligt.

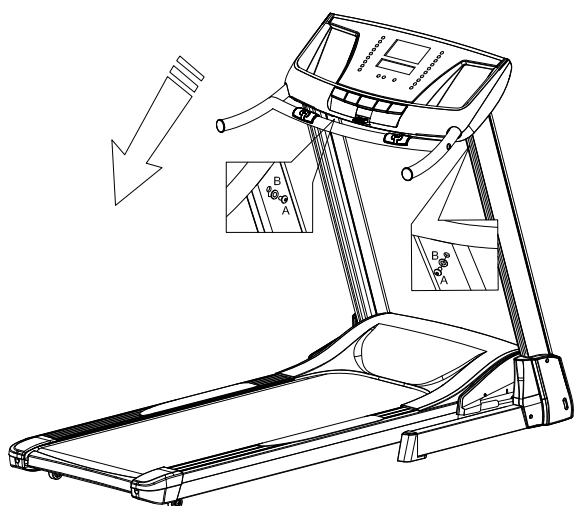
Figur 2



STEG 3

Ställ utrustningen i rätt position. Använd insexnyckeln (E) för att dra åt skruvarna (A) och brickorna (B) inuti hålen på ovansidan om de uppräta stagen.

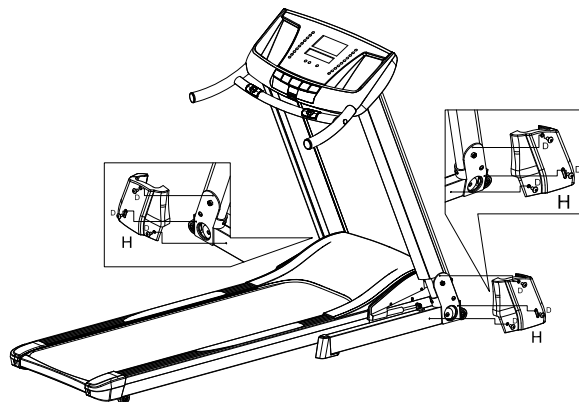
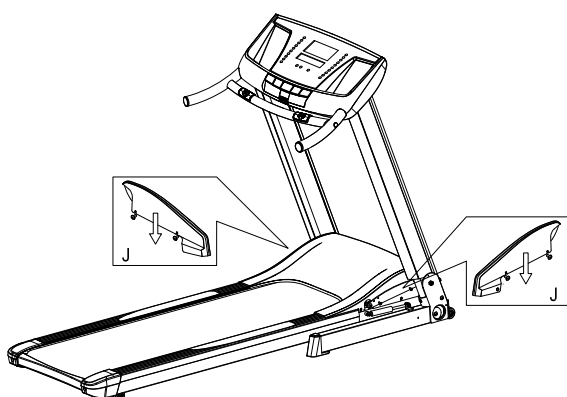
Figur 3



STEG 4

Sätt dit sidopanelen (H) med skruvarna (D) vid nederdelen av de uppräta stagen och dra åt dem ordentligt.

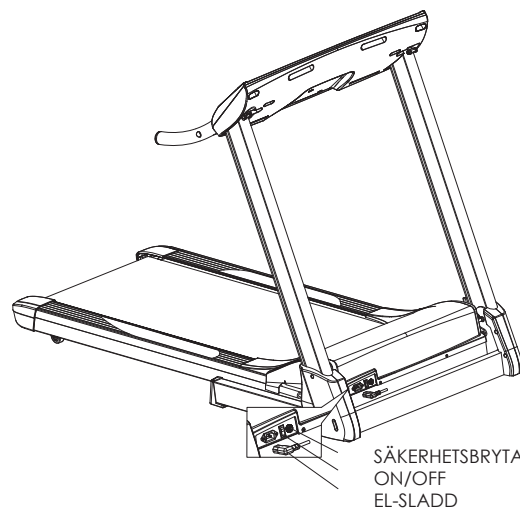
Figur 4



! VARNING!

Maskinen stängs automatiskt av om den elektriska belastningen är för hög. För att starta om maskinen, var vänlig och följ nedanstående procedur:

- Koppla ur el-sladden från maskinens el-kontakt.
- Tryck in säkerhetsbrytaren.
- Koppla åter in el-sladden i maskinens el-kontakt.



Tryck inte in säkerhetsbrytaren innan maskinen kopplats från el-nätet.

Om du lämnar löpbandet inkopplad till el-nätet efter det att maskinen stängts av, kommer det fortfarande att finnas spänning i konsolen. Löpbandet är utrustat med ett säkerhetsprogram som automatiskt stänger av maskinen efter 6 timmars inaktivitet. Vid tillfälle av en automatisk avstängning, var vänlig och följ nedanstående procedur för att återstarta löpbandet:

- Koppla ur strömsladden från maskinens elkontakt.
- Koppla sedan in strömsladden igen och starta maskinen.

MÄTARE



TANGENTERNAS FUNKTION

Huvudfunktionstangenter:

1. ELEVATION + / LUTNING +:

a. Ökar lutningsnivån inom intervallet från 0 till 12 % och visas i displayen för puls/lutning. Ett tryck ökar lutningen 1 % och för att snabbt ändra lutningen, tryck och håll ner knappen i 2 sekunder.

b. Tryck på denna knapp för att välja något av programmen P1, P2, P3, P4, ... U1 och U2.

2. ELEVATION - / LUTNING -:

a. Minskar lutningsnivån inom intervallet från 0 till 12 % och visas i displayen för puls/lutning. Ett tryck minskar lutningen 1 % och för att snabbt ändra lutningen, tryck och håll ner knappen i 2 sekunder.

b. Tryck på denna knapp för att välja något av programmen P1, U3, U2, U1, P9, P8, P7, P6, P5, P4, P3 och P2.

3. POWER: Tryck på denna knapp för att slå på eller stänga av strömmen.

4. START/STOP: Startar eller stoppar det valda programmet.

5. SELECT:

a. Skiftar från ett till ett annat program i följande ordning: P1, P2, P3, P4, ..., Användarinställning (USER SETTING) 1 och Användarinställning (USER SETTING) 2.

b. Under träningspasset, tryck på denna knapp för att bläddra igenom funktionen för puls och klättring.

6. ENTER/RESET:

a. Tryck på denna knapp för att bekräfta ditt val av program eller inställning.

b. Tryck på denna knapp i 2 sekunder för att återställa alla värden och återgå till grundinställningen.

7. SPEED + / HASTIGHET +:

a. Ökar hastigheten i intervallet från 0,8 till 20 KPH (km/h) (0,5 till 12,5 MPH), vilken visas i displayen för hastighet. Ett tryck ökar hastigheten 0,2 KPH (0,1 MPH). För att påskynda ökningstakten, tryck och håll knappen nertryckt i 2 sekunder.

b. Tryck på denna knapp för att välja något av programmen P1, P2, P3, P4, ... U1 och U2.

7. SPEED - / HASTIGHET -:

a. Minskar hastigheten i intervallet från 0,8 till 20 KPH (km/h) (0,5 till 12,5 MPH), vilken visas i displayen för hastighet. Ett tryck minskar hastigheten 0,2 KPH (0,1 MPH). För att påskynda minskningstakten, tryck och håll knappen nertryckt i 2 sekunder.

b. Tryck på denna knapp för att välja något av programmen P1, U3, U2, U1, P9, P8, P7, P6, P5, P4, P3 och P2.

Snabbknappar för hastighet:

6 snabbknappar är förprogrammerade till 4, 6, 8, 10 och 12 KPH eller 2, 4, 6, 8, 10 MPH. T.ex. så ändras hastigheten från någon hastighet till 8 KPH genom att trycka på snabbknapp 8 för hastighet.

Snabbknappar för lutning:

6 snabbknappar är förprogrammerade till 0, 2, 4, 5, 8, 10 %.. T.ex. så ändras lutningen från någon lutning till 4 % genom att trycka på snabbknapp 4 för lutning.

Snabbvalstangenter för hastighet:

1. +: Samma som Speed + / Hastighet +.

2. -: Samma som Speed - / Hastighet -.

Snabbvalstangenter för lutning:

1. +: Samma som Incline + / Lutning +.

2. -: Samma som Incline - / Lutning -.

DISPLAY & MASKINENS VÄRDEINTERVALL

A. DISPLAYEN FÖR TID (TIME): Visar träningstiden räknande uppåt eller nedåt. När löpbandet inte är igång och SÄKERHETSNYCKELN är ditsatt kan tiden väljas genom att trycka på "ENTER" och sedan ställas in med tangenterna "+" eller "-". Tidsintervallet vid uppräknig är från 00:00 till 99:59 och från 10:00 till 99:00 vid nedräkning. När nerräkning till 00:00 används kommer apparaten att pipa 12 gånger innan löpbandet stannar.

B. DISPLAYEN FÖR HASTIGHET (SPEED): Visar löpbandets aktuella hastighet. Hastigheten kan justeras från 0,5 till 10 MPH eller från 0,8 till 16 KPH, genom att trycka på knapparna "SPEED+" och "SPEED-".

C. DISPLAYEN FÖR DISTANS (DISTANCE): Visar distansen med räkning uppåt eller nedåt då löpbandet inte är igång och Säkerhetsnyckeln är ditsatt. Den kan väljas genom att trycka på "ENTER" och sedan justeras genom att trycka på SPEED + - eller ELEVATION +-. Displayen kan visa från 0 till 999 KPH/MPH vid uppräknig och från 999 till 0 vid nedräkning. Vid nedräkning till 0, kommer apparaten att pipa 12 gånger innan löpbandet stannar.

D. DISPLAYEN FÖR KALORIFÖRBRUKNING (KCAL): Visar kaloriförbrukningen med räkning uppåt eller nedåt då löpbandet inte är igång och Säkerhetsnyckeln är ditsatt. Den kan väljas genom att trycka på "ENTER" och sedan justeras genom att trycka på SPEED + - eller ELEVATION +-. Displayen kan visa från 0 till 999 KCAL vid uppräknig och från 999 till 0 vid nedräkning. Vid nedräkning till 0, kommer apparaten att pipa 12 gånger innan löpbandet stannar.

E. DISPLAYEN FÖR PULS OCH LUTNING (HEART RATE/ ELEVATION): I grundinställningen visas pulsen och HEART RATE-indikatorn är på. Den ändras till lutningsnivå i % vid justering och ELEVATION-indikatorn är på.

ANVÄNDARINSTRUKTIONER

(Läs dessa noggrant före användning)

A. TIPS FÖR ÖKAD SÄKERHET:

För att starta, slå på strömmen och sätt ditt Säkerhetsnyckeln på konsolen. Lagg märke till att maskinen inte fungerar utan Säkerhetsnyckeln ditsatt. Knäpp fast den andra änden av säkerhetsnyckeln på användaren innan träningen påbörjas för att säkerställa att maskinen stannar om användaren skulle ramla av löpbandet. Om detta skulle inträffa så lossnar Säkerhetsnyckeln från konsolen och löpbandet stoppas för att undvika ytterligare skador.

B. PROGRAMVAL:

Det finns 12 program, inklusive 9 förprogrammerade program och 3 program för användarinställningar, att välja mellan. Detta görs genom att trycka på knappen "SELECT".

C. GRAFPROGRAM:

Grafen i programdisplayen är hastighetsprofilen men lutningen kommer också att ändras under träningspasset. Det är totalt 20 kolumner i displayen. Utan förändring av värdet för tid varar varje program i 20 minuter, det motsvarar en minut för varje kolumn. Med ändrad tid ändras värdet för varje kolumn. Om t.ex. värdet för tid ändras till 10 minuter kommer varje intervall motsvara 10 minuter delat med 20 intervall ($10/20=0,5$) d.v.s. 30 sekunder.

D. TRÄNING MED ETT SPECIFIKT MÅL:

I alla program kan användaren ändra värdet för tid före träningspasset. Tryck på "ENTER"-knappen för att välja och använd "SPEED + & SPEED -" för att ändra värdet. Om ingen ändring sker och alla värden är satta till 0; användaren kan springa så länge som möjligt tills löpbandet stängs av. Användaren kan också ställa in önskad tid för nedräkning. Om t.ex. tiden sätts till 10 minuter så kommer löpbandet stanna efter 10 minuters löpning.

E. PULS:

Det finns två sätt att mäta din puls på. Det ena är att använda handsensorn. Det andra är med ett bröstband. Pulsning sker med hjälp av givare som finns i handtagen och givarna mäter pulsen så fort användaren kommer i kontakt med bägge sensorerna samtidigt. Tillförlitlig pulsmätning fås då huden är i ständig kontakt med givarna och huden samtidigt är något fuktig. Alltför torr eller blöt hud försvagar pulsmätarens funktion. Observera, om man under träning sätter ned fötterna alltför hårt på bandet kan detta orsaka störningar som kan påverka handpulsamatrens tillförlitlighet. För att vara försäkrad om ett tillförlitligt resultat, rekommenderar vi att pulsmätning görs under träning i promenadtakt, vid stillastående på löpbandets sidostöd eller då löpbandet stoppats helt.

ALLMÄNT OM TRÄNING

ANGÅENDE DIN HÄLSA

- För att undvika muskelvärk, börja och avsluta varje träningspass med stretching.

ANGÅENDE TRÄNINGSMILJÖN

- Redskapet får inte användas utomhus.
- Placera redskapet på ett stadigt, plant underlag. Placera redskapet på ett så jämnt underlag som möjligt och så att du har ett fritt utrymme på minst 100 cm framför och på sidorna av och minst 100x200 cm bakom redskapet.
- Vi rekommenderar att redskapet placeras på ett underlag som skyddar golvet.
- Försäkra dig om att träningsutrymmet har god ventilation. Undvik dock att träna i dragiga utrymmen, eftersom det kan ge dig en förkylning.

ANGÅENDE TRÄNINGEN

- Koppla alltid av strömmen efter varje träningspass.
- Föräldrar och andra med ansvar för barn bör beakta att barns naturliga nyfikenhet och lekfullhet kan leda till situationer och handlingar som redskapet inte är tänkt för. Om barn tillåts använda träningsredskapet bör de övervakas och läras hur man använder det. Man bör då beakta barnens psykiska och fysiska utveckling och deras personlighet.
- Redskapet får användas av endast en person åt gången.
- Håll händerna tillräckligt långt från rörliga delar.
- Använd lämpliga kläder och skor när du tränar.
- Innan du börjar använda redskapet, försäkra dig om att det på alla sätt fungerar som det skall. Använd inte redskapet om det har något fel.
- Använd inte redskapet innan alla kåpor och skydd är på plats.

BÖRJA TRÄNINGSPASS

- Värm upp före träningspasset och avsluta med avslappningsövningar och stretching för att undvika träningsvärk.
- Stå grenstående på löpbandets sidoplåtar. Stå inte på själva bandet när du startar redskapet.
- Fatta alltid tag i handstödet när du stiger på eller av löpbandet och alltid när du ändrar bandets hastighet mitt under pågående träning. Hoppa aldrig av ett roterande löpband!
- Om du känner dig illamående, får svindel eller uppvisar andra onormala symtom under träningen, skall du omedelbart avbryta träningen och vända dig till din läkare.

AVSLUTA TRÄNINGSPASS

- Tag alltid bort säkerhetsnyckeln när du avslutar din träning.
- Koppla bort strömmen med strömbrytaren i löpbandets framända.
- Drag ut nätkabeln ur vägguttaget och stickdosan i löpbandet.
- Torka vid behov bort svett med en fuktig duk. Använd inga lösningsmedel!
- Förvara kabeln på ett säkert ställe utom räckhåll för barn.

HUR MOTIVERAR MAN SIG TILL ATT FORTSÄTTA?

Det är lätt att börja träna och ännu lättare att sluta! För att uppnå de mål du satt upp, behöver du hela tiden motivera dig till att fortsätta. På så sätt når du också det slutliga målet: livslång hälsa och en ny livskvalitet. Så kom ihåg:

- Sätt upp realistiska mål.
- Gå framåt steg för steg enligt din tidsplan.
- För en konditionsdagbok och skriv ner dina framsteg, t.ex. vikt, puls, sträckor, tid och hur du känner dig överlag.
- Ändra sätt att träna emellanåt.
- Använd fantasin.
- Lär dig självdisciplin.

En viktig sida av träningen är mångsidighet. Genom att variera din träning låter du olika muskelgrupper arbeta, vilket hjälper dig hålla motivationen uppe.

PULS

Pulsen kan mätas med hjälp av en i redskapets mätare inbyggd pulsmottagare, som kan användas tillsammans med trådlösa pulssändare.

Oberoende av vilken din målsättning är när du bästa resultat genom att träna på rätt ansträngningsnivå och det bästa måttet på det är din puls. Ta först reda på din maximipuls, dvs. på vilken nivå pulsen inte längre stiger trots att ansträngningen höjs. Om du inte känner till din maximipuls, kan du använda följande formeln som riktgivare:

$$220 - \text{ÅLDERN}$$

Värdet baserar sig på genomsnittet, men maximipulsen varierar från person till person. Maximipulsen går i medeltal ner med en enhet per år. Om du hör till någon riskgrupp, be en läkare mäta din maximipuls åt dig. Vi har definierat tre olika pulsområden för att hjälpa dig när du sätter upp mål för träningen.

NYBÖRJJARE: 50-60 % av maximipulsen

Denna nivå lämpar sig också för viktvaktare, rehabiliteringspatienter och personer som inte har tränat på länge. Tre träningspass i veckan på minst en halvtimme var rekommenderas. Regelbunden träning förbättrar andnings- och cirkulationskapaciteten hos nybörjare betydligt och du kommer snabbt att märka förbättringen.

MOTIONÄR: 60-70 % av maximipulsen

Denna nivå är perfekt för att förbättra och upprätthålla konditionen. Även en måttlig ansträngning utvecklar hjärtat och lungorna effektivt, om du tränar i minst 30 minuter åtminstone tre gånger i veckan. För att ytterligare förbättra din kondition, höj antingen träningsfrekvensen eller ansträngningen, men inte båda på samma gång!

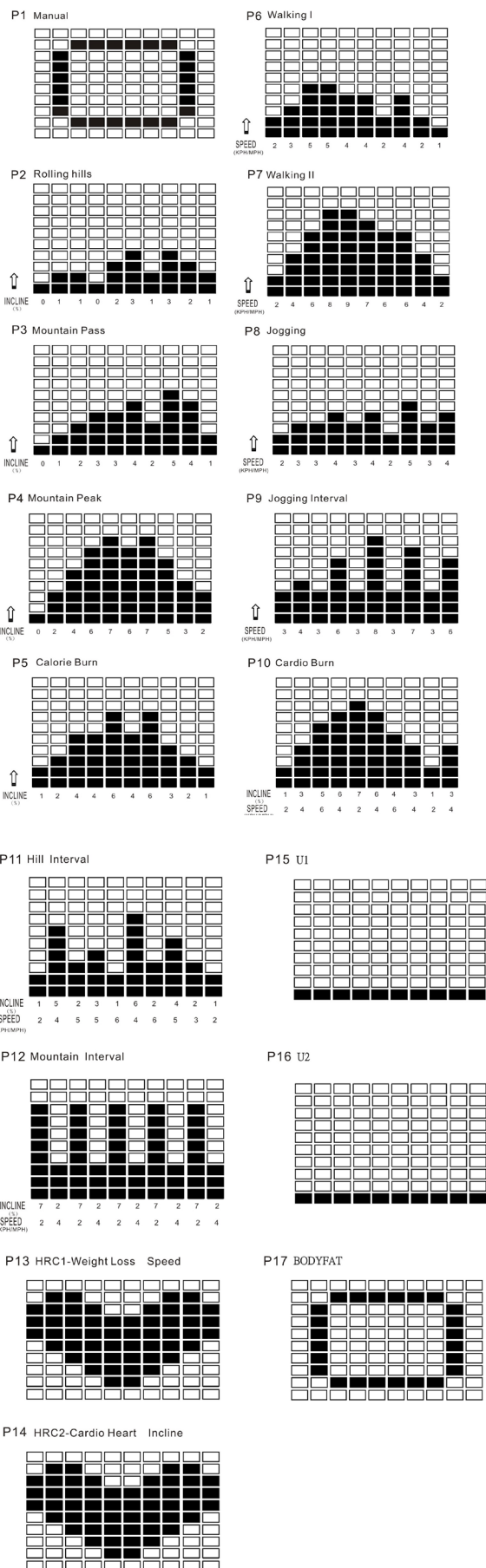
AKTIV IDROTTARE: 70-80 % av maximipulsen

Träning på denna nivå lämpar sig bara för personer med mycket bra kondition och bör föregås av träning för lång uthållighet.

IGÅNGSÄTTNING

1. Placera säkerhetsnyckeln i läge.
2. Tryck på strömknappen. Skärmen kommer att slockna. Programfönstret kommer att visa ENTER WEIGHT (ange vikt). Tryck på + / - tangenterna för att ange din vikt.
3. Tryck på ENTER för att bekräfta ditt inställda värde. Programfönstret kommer att visa "SELECT PROGRAM OR PRESS START" (välj program eller tryck på start).
4. Tryck på SELECT och välj önskat program 1-9 eller användare 1-3 med SPEED + / - eller INCLINE + / - tangenterna.

PROGRAM 1 - 17



Redigering av profilmvåerna.

1. I programfönstret kommer den första LEDmatrixkolumnen att blinka. Tryck på SPEED + / - för att ställa in önskat hastighetsvärde och tryck på INCLINE + / - för att ställa in önskad lutningsnivå.
2. Tryck på ENTER för att bekräfta din profil för den första kolumnen.
3. Fortsätt på samma sätt för att ange alla profiler kolumn för kolumn.

UNDERHÅLL

Utrustningen är säker att använda endast om periodiskt underhåll sker med regelbundna kontroller efter förslitningar och brister.

RENGÖRING OCH SMÖRJNING AV LÖPBAND

Om du underlåter att smörja löpbandet kan det leda till att produktgarantin blir ogiltig!

Torka av handstöden och mätaren med en fuktig duk. Använd inga lösningsmedel! Dammsug regelbundet de synliga delarna av löpbandets ram (bl.a. bandet, bottenskivan, sidoplåtarna) med ett litet munstycke. Håll även omgivningen kring löpmattan ren. Löpmattan drar i användning till sig t.ex. damm som kan ge upphov till funktionsproblem för redskapet.

En mycket viktig del av löpunderlagets underhåll är smörjning. Vid genomsnittlig hemanvändning (högst 60 minuter om dagen) bör du kontrollera smörjningen en gång i månaden - men smörj bara bandet om det behövs. Vid mer krävande användning behöver smörjningen kontrolleras med kortare intervall. Det gör du bäst innan du påbörjar ett träningspass. Kontrollera smörjningen på följande sätt:

1. Se till att strömmen till löpbandet är avstängd! Kliv upp på löpbandet och stå stadigt där du normalt springer på bandet.
2. Fatta tag i det horisontala handstödet och tryck på bandet med fötterna så att det rör sig fram och tillbaka. Bandet ska röra sig mjukt, jämnt och ljudlöst.
3. Om du observerar ryckiga rörelser eller om bandet inte rör sig kontrollerar du smörjningen genom att känna med handen under bandet.

Smörj mattan på följande sätt:

1. Fäst munstycket till smörjtuben på T-Lube S behållaren.
2. Lyft löpbandet och lås det.
3. Placera munstycket mellan bandet och skivan. Försök att spreja så långt in mot mitten av löpplattan som möjligt.
4. Spreja med smörjmedlet i 2-3 sekunder.
5. Sänk löpplattan till normal position. Använd löpbandet för träning eller kör löpbandet i minst 5 minuter.

! OBS! Använd endast T-Lube S-silikonsmörjmedel för smörjning av löpbandet. Kontakta närmaste Tunturiåterförsäljare om du behöver mer T-Lube eller mer information om smörjning och underhåll.

CENTRERING AV LÖPBAND

Kontrollera bandets funktion under ditt träningspass och utför de nedan beskrivna inställningsåtgärderna omedelbart när du märker att det behövs. Bandet skall ligga mitt på valsarna. Någon centreringsbehövs vanligtvis inte, om

- löpbandet placerats på ett plant underlag och har den rätta spänningen

- bandet är riktigt centrerat På grund av olika löpstilar (t ex ojämn viktfördelning) kan bandet dock småningom förskjutas mot endera sidan.

Om löpbandets kant sticker ut under någondera av sidprofilerna, måste bandet centreras på nytt.

1. Ställ in hastigheten på 5 km/h.
2. Om löpbandet drar åt vänster, vrid den vänstra justeringsbulten i den bakre kanten av löpbandet 1/4 varv medsols och den högra justeringsbulten 1/4 varv motsols. Redan 1/4 varv påverkar bandets riktning. Därför skall justeringsbultarna vridas litet åt gången. Om löpbandet drar åt höger, vrid den högra justeringsbulten 1/4 varv medsols och den vänstra justeringsbulten 1/4 varv motsols.
3. Om löpbandet hålls i mitten är inställningen riktig, men om bandet alltfjämt dras åt sidan skall åtgärden upprepas tills bandet löper rakt. Om bandet får löpa snett under en längre tid, så att endera sidan skavar mot redskapets kant, kan driftstörningar förekomma. Garantin täcker inga fel eller skador som beror på att bandet inte centrerats.

JUSTERING AV LÖPBANDETS SPÄNNING

Löpbandet måste spännas, om det börjar slira vid normal drift. Spänningen skall dock vara så liten som möjligt! Spänningen justeras med hjälp av samma bultar som vid centreringen.

1. Ställ in hastigheten på 5 km/h.
2. Vrid båda justeringsbultarna medsols lika mycket, ca 1/4 varv.
3. Försök få bandet att gå långsammare genom att bromsa med fötterna (som i en utförsbacke). Om bandet fortfarande slirar, vrid ytterligare 1/4 varv och upprepa försöket. Mycket kraftig bromsning får bandet att slira. Om mattan regelbundet börjar slira trots justeringar, kontakta din försäljare.

STÖRNINGAR VID ANVÄNDNING

! OBS! Trots kontinuerlig kvalitetskontroll kan fel eller funktionsstörningar som beror på någon enskild komponent förekomma. Därför är det onödigt att hela redskapet skickas på reparation, eftersom det för det mesta räcker med att aktuell komponent byts. Kontakta genast din försäljare om du upptäcker fel eller brister när du använder ditt redskap eller om du behöver reservdelar. Uppge alltid redskapets modell och serienummer. Beskriv problemet, hur redskapet använts, och uppge inköpsdagen. Behöver du reservdelar, uppge också numret på reservdelar; du hittar en lista på reservdelar i slutet på den här handboken.

Om din löpmatta fungerar på ett sätt som avviker från det normala, vrid strömbrytaren till OFF och vänta i en minut. Koppla därefter på mattan igen och kontrollera om felet är avhjälpt. Om felet inte upprepas, kan du använda löpmattan normalt. Om felet inte avhjälps av detta, kontakta din försäljare.

KODER FÖR FEL

Mätaren meddelar om störningar i olika funktioner på skärmen.

E1: Störningar i hastighetssensorn. Drag ut nätkabeln ur vägguttaget, vänta 1 minut och slå på strömmen igen. Om inget felmeddelande visas, kan du använda redskapet normalt. Om felmeddelandet kvarstår, kontakta återförsäljaren.

E3: Störningar i lyftmotorn. Drag ut nätkabeln ur vägguttaget, vänta 1 minut och slå på strömmen

igen. Om inget felmeddelande visas, kan du använda redskapet normalt. Om felmeddelandet kvarstår, kontakta återförsäljaren.

ÖVERSTRÖMSSKYDD

Ifall löpbandets strömförbrukning blir för stor, bryter redskapets överströmsskydd av strömfillförseln till löpbandet som en säkerhetsåtgärd, och tryckknappen på säkringen vid strömavbrytaren hoppar upp. Innan du fortsätter att använda redskapet, kontrollera löpbandets smörjning samt eventuella övriga mekaniska orsaker till att överströmsskyddet gick av. Tryck ned tryckknappen på säkringen, och redskapet är driftklart igen.

TRANSPORT OCH FÖRVARING

ATT VIKA LÖPBANDET

När monteringen är slutförd, kan löpbandet vikas till upprätt position för förvaring. Hög däckets tills det låser sig i förvaringsläget.

Försäkra dig om att du hör ett klickljud när däckets låser sig i förvaringsläget. Detta är för att säkerställa att däckets är låst och inte faller tillbaka.

! VARNING: Se till att löpbandets lutning (ELEVATION) är satt till 0 innan viking av däckets sker. Om lutningen inte är satt till 1 kan detta skada mekanismen.

NERFÄLLNING AV LÖPBANDET

Tryck först ner pedalen, tryck sedan ramen mot konsolen och låt sedan löpdäckets sänkas ner mot golvet (Figur 6).

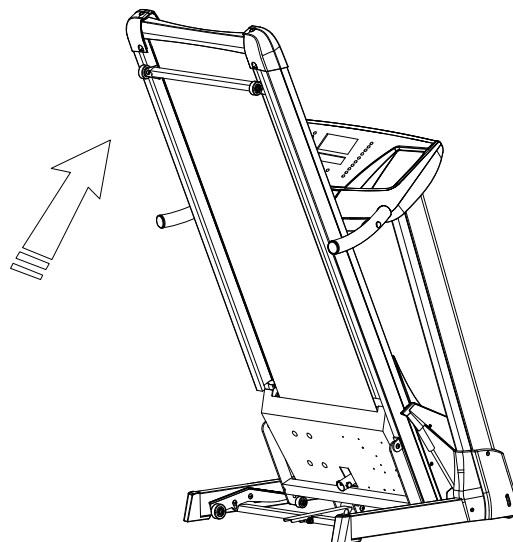
! NOTERA: Maskinen har en inbyggd utvinkningsmekanism för att på säkert sätt hjälpa till med nersänkningen av löpdäckets. Försäkra dig om att inga barn eller andra saker finns under löpdäckets när det fälls ner.

! NOTERA! Maskinen är utrustad med en gascylinder vilken tar upp den mesta vikten från däckets, var dock aktsam vid hanteringen av löpbandet.

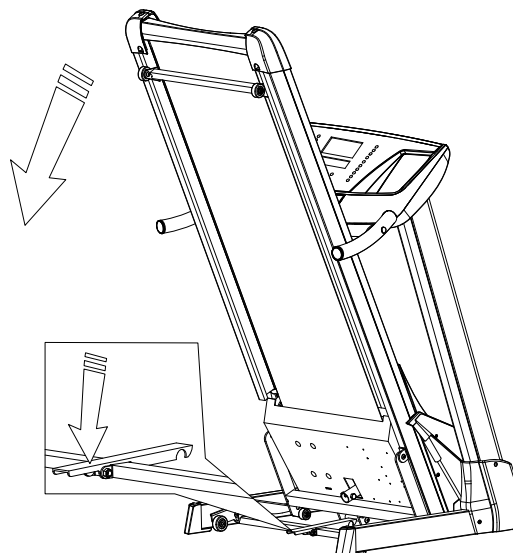
Innan Run 1.0 flyttas, se till att el-kabeln är urkopplad från väggen och från löpbandet. Vik löpdäckets tills det låser sig och lyft sedan upp utrustningen på transporthjulen. Sänk löpbandet försiktigt mot golvet.

Vi rekommenderar att en skyddande botten används vid transport av utrustningen.

Figur 5



Figur 6



TEKNISKA DATA

Längd	193 cm (93 cm)
Höjd	140 cm (181 cm)
Bredd	91 cm
Vikt	101 kg
Löpyta	51 x 150 cm
Bandhastighet	0.8-20.0 km/h
Lutning	0-12 %
Motor	2.0 HK

Alla Tunturimodeller har konstruerats för att uppfylla EU:s EMC-direktiv gällande elektromagnetisk kompatibilitet (89/336/EEC) och elutrustning som utformats för användning inom vissa gränser för spänningen (73/23/EEC). Därför är denna produkt försedd med CE-konformitetsmärkning.

På grund av vår policy för kontinuerlig produktutveckling förbehåller vi, Tunturi, oss rätten till ändringar.

! **OBS!** Instruktionerna måste följas noggrant vid montering, användning och underhåll av redskapet. Garantin gäller inte skador som uppkommit pga. underlåtagande att iaktta de instruktioner för montering, justering och underhåll som beskrivits här. Redskapet som modifieras eller förändras på ett sätt som inte är godkänt av Tunturi-Fitness får inte användas.

SISÄLTÖ

ASENNUS	59
YLEISTÄ HARJOITTELUSTA	61
MITTARI	62
MATON KÄYTTÖ JA VALMISOHJELMAT	62
HUOLTO	63
KULJETUS JA SÄILYTYS	65
TEKNISET TIEDOT	65

TERVETULOA TUNTURIKUNTOILIJOIDEN JOUKKOON!

Valintasi osoittaa, että tahdot todella huolehtia kunnostasi; valintasi osoittaa myös sen, että arvostat korkeaa laatua ja tyylikkyyttä. Tunturi-kuntolaitteen myötä olet valinnut korkealuokkaisen, turvallisen ja motivoivan kuntolaitteen harjoituskumppaniksesi. Olkoon tavoitteesi kuntoilun saralla mikä tahansa, olemme varmoja, että tällä Tunturin kuntolaitteella tulet tavoitteesi saavuttamaan. Lisätietoja Tunturin kuntolaitteista sekä harjoittelusta löydät internetistä Tunturin kotisivuilta WWW.TUNTURI.COM.

HUOMAUTUKSET JA VAROITUKSET

Tämä opas on olennainen osa kuntolaitettasi. Perehdy ohjeisiin huolellisesti ennen kuin asennat, käytät tai huollat kuntolaitettasi. Sinun tulee ehdottomasti säilyttää tämä opas, sillä jatkossa se opastaa Sinua niin kuntolaitteesi tehokkaaseen käyttöön kuin huoltoonkin. Muista aina noudattaa tämän oppaan ohjeita.

- Laitteen saa kytkeä vain maadoitettuun pistorasiaan. Älä käytä jatkojohtoja juoksumaton kytkennässä virtalähteeseen. Laitteen virrankulutus on enintään 10 A. Virtalähteet, joiden jännitevaihtelu on suurempi kuin 10 % voivat johtaa juoksumaton virheelliseen toimintaan tai vahingoittaa juoksumaton elektroniikkaa. Mikäli laite kytketään tässä ohjekirjassa annettujen ohjeiden vastaisesti, laitteen takuu raukeaa.
- Laitteen verkkojohto on varustettu maadoitetuilla liittimellä ja pistokkeella. Muutoksia pistorasiaan tai verkkojohdon pistokkeisiin saa tehdä vain henkilö, jolla on lupa suorittaa sähkömekaanisten laitteiden huolto- ja korjaustöitä.
- Beperk u tot het onderhoud en instellingen zoals in deze handleiding worden beschreven. Stop direct als zich andere problemen voordoen en vraag advies bij uw Tunturi specialist.
- Ennen harjoittelun aloittamista käy varmistuttamassa terveydentilasi lääkärillä.
- Älä yritä tehdä laitteelle muita kuin tässä ohjekirjassa kuvattuja säätöjä tai huoltotoimenpiteitä. Asennus- ja huoltotöitä tehtäessä virran on oltava kytkettynä pois ja verkkopistokkeen on oltava irti pistorasiasta.
- Laitetta saa käyttää vain sisätiloissa. Harjoitteluolosuhteissa laite kestää lämpötiloja +10 asteesta +35 asteeseen, varastoitaaessa lämpötiloja -15 asteesta +40 asteeseen. Ilman kosteus ei saa

missään tapauksessa ylittää 80 %.

- Laitteen ehdoton enimmäiskäyttäjätarve on 135 kg.
- Tarkempia tietoja kuntolaitteesi takuusta löydät laitteen mukana toimitetusta takuukirjasesta. Huomaa, että takuu ei korvaa mitään vahinkoja, jotka ovat aiheutuneet tässä ohjekirjassa mainittujen asennus-, säätö- ja huoltoohjeiden laiminlyönneistä.

ASENNUS

Suosittellemme, että laitteen asentaa kaksi aikuista henkilöä. Älä siirrä juoksumattoa pois pakkauksesta: kokoa laite käyttämällä laitepakkausta asennusalustana.

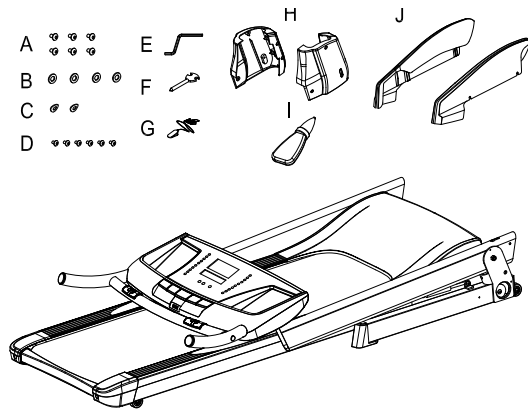
Varmista ennen laitteen asennusta, että seuraavat osat löytyvät pakkauksesta:

- Runko
- Virtajohto
- Asennustarvikesarja (sisältö on merkitty *:llä varaosaluetteloon). Sästä asennustarvikkeet, sillä voit tarvita niitä mm. laitteen säätämiseen.

Ota ongelmatilanteissa yhteys laitteen myyjään. Ohjeessa mainitut suunnat oikea, vasen, etu ja taka on määritelty harjoitusasennosta katsottuna. Vaaratilanteiden välttämiseksi juoksualue tulee nostaa ylös säilytysasentoon ennen juoksumaton nostoa pois kuljetuspakkauksesta.

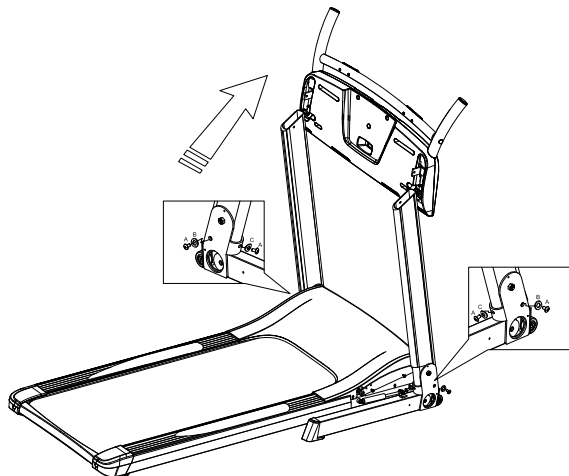
Ota asennustarvikesarja kuljetuspakkauksesta.

Nosta käsituot ylös ja aseta ruuvit (A) ja aluslaatat (B,

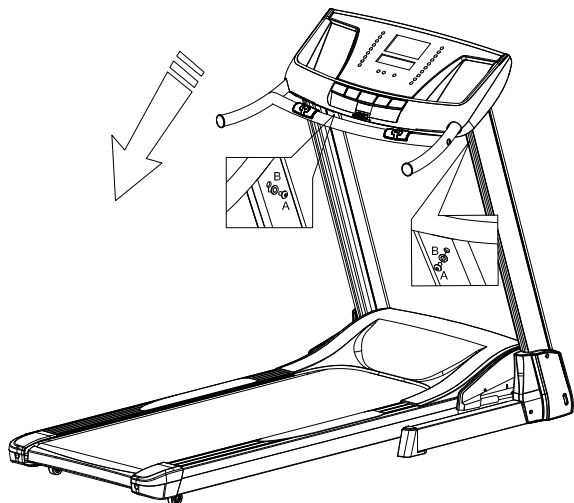


Part#	Description	QTY
A	Screw M8x20L	6
B	Washer Ø8xØ18	2
C	Washer Ø10xØ25	4
D	Screw M4x6L	6
E	Allen Key	1
F	Screwdriver	1
G	Safety Key	1
H	Side Cap	2
I	Lube	1
J	Incline Bracket Cover	2

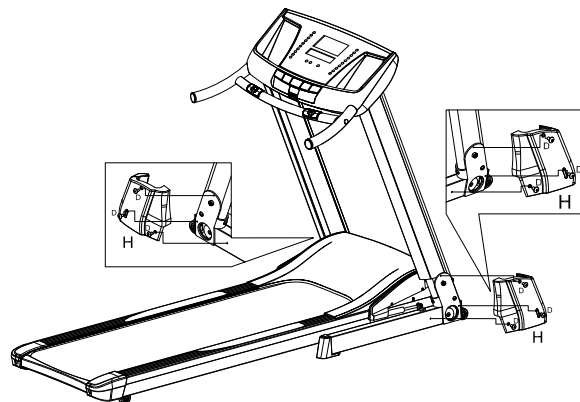
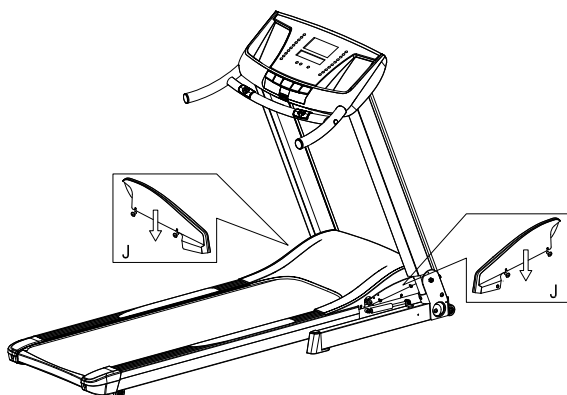
C) käsitukien alapäässä oleviin kiinnitysreikiin. Kiristä ruuvit huolellisesti ruuviavaimella (F).



Aseta mittari oikeaan asentoon. Kiristä ruuvit (A) ja aluslaatat (B) avaimella (E) käsitukien yläpään kiinnitysreikiin.



Kiinnitä sivukatteet (H) ruuveilla (D) käsitukien alapäihin huolellisesti.



VERKKOJOHTO!

Ennen kuin kytket juoksumaton virtalähteeseen, tarkista jännitteen sopivuus laitteesi tyyppikilvestä. Kytke verkkovirtajohto pistotulppa juoksumaton liittimeen.

! VAROITUS!

Mikäli laitteen virrankulutus nousee liian suureksi, laite sammuttaa itsensä. Käynnistä laite uudestaan seuraavasti:

- Irrota virtajohto laitteesta.
- Paina ylivirtasuojan rele laitteen sisälle.
- Liitä virtajohto laitteeseen.

! TÄRKEÄÄ! Älä milloinkaan paina ylivirtasuojan relettä laitteen sisälle ennen kuin olet irrottanut virtajohto laitteesta!

Mikäli jätät laitteen virtajohto kiinni laitteeseen mittarin sammuttamisen jälkeen, sähkövirta kiertää edelleen laitteen sisällä. Juoksumatto sisältää turvaohjelman joka automaattisesti sammuttaa laitteen mikäli sitä ei ole käytetty kuuteen tuntiin. Automaattisen sammutuksen jälkeen voit käynnistää laitteen seuraavasti:

- Irrota virtajohto laitteesta.
- Liitä virtajohto laitteeseen.

TURVA-AVAIN

Juoksumatto ja käyttöliittymä toimivat vain, jos turvaavain on asetettu kunnolla paikalleen; laite pysähtyy välittömästi, kun turva-avain irtaoo. Aseta turva-avain paikalleen mittarin alaosaan ja kiinnitä turva-avaimen naru pidikkeen avulla vaatetukseesi, esim. kaulukseen tai rintapieleen. Varmista harjoittellessasi, että turva-avaimen pidike on kiinnitetty vaatetukseesi kunnolla; turva-avaimen naru kiristyessä pidike ei koskaan saa irrota vaatetuksestasi ennen kuin turva-avain on irronnut käyttöliittymästä. Ota tukea käsituesta aina kun nouset matolta pois. Älä hyppää liikkuvalla matolta.

YLEISTÄ HARJOITTELUSTA

Moottoroidun juoksumaton toimintoihin ja hallintaan tulee tutustua huolellisesti ennen harjoittelun aloittamista. Harjoittelu juoksumatolla on erinomaista aerobista liikuntaa, jonka perusideana on, että liikunta on sopivan kevyttä mutta pitkäkestoista. Aerobinen liikunta perustuu maksimaalisen hapenottokyvyn parantamiseen; se puolestaan lisää kestävyyttä ja kuntoa. Aerobinen liikunta on ennen kaikkea miellyttävää. Hien pitää nousta pintaan, mutta syke ei saa nousta kohtuuttoman korkealle. Näin harjoitusta voidaan jatkaa pidempäänkin. Suositus harjoituksen pituudeksi on 30-60 minuuttia kolme kertaa viikossa tavoitteiden, kunnon ja mahdollisuuksien mukaan. Mikäli haluat harjoitella kävellen, voit lisätä suorituksen vaihtelevuutta ja vaativuutta muuttamalla juoksualueen kulmaa. Kävelyharjoitusta voi monipuolistaa myös harjoittamalla samanaikaisesti käsiliikkeitä pienillä painoilla. Huomioi tällöin tasapainosi ja muut turvallisuustekijät. Lisätietoja Tunturin kuntolaitteista sekä harjoittelusta löydät internetistä Tunturin kotisivuilta www.tunturi.com.

HUOMIOITAVAA HARJOITTELUPAIKASTA

- Laitetta saa käyttää vain sisätiloissa.
- Sijoita juoksumatto kovalle, tasaiselle ja suojatulle alustalle. Valitse laitteen sijoituspaikka siten, että laitteen eteen ja sivuille jää vähintään 100 cm ja taakse 100x200 cm vapaata tilaa. Huolehdi, etteivät lapset tai kotieläimet tule tälle alueelle laitetta käytettäessä.
- Huolehdi, että harjoitteluympäristö on riittävän hyvin ilmastoitu. Vilustumisen estämiseksi vältä kuitenkin harjoittelua vetoisissa tiloissa.

HUOMIOITAVAA LAITTEEN KÄYTÖSTÄ

- Mikäli lasten annetaan käyttää laitetta, vanhempien tai muiden vastuullisten tulee ottaa huomioon lasten sekä henkinen että fyysinen kehitys ja ennen kaikkea luonne. Lapsia tulee valvoa ja opastaa juoksumaton oikeassa käytössä.
- Vain yksi henkilö kerrallaan saa harjoitella laitteella.
- Pidä kätesi kaukana liikkuvasta matosta. Pidä laitteen alusta aina tyhjänä äläkä työnnä sinne käsiäsi tai jalkojasi tai mitään esineitä.
- Käytä harjoittellessasi sopivaa vaatetusta ja asianmukaisia jalkineita. Varmista, että kengännauhasi ovat harjoittellessa aina kunnolla solmitut. Käytä vain sisäkäyttöön tarkoitettuja urheilujalkineita.
- Varmista ennen harjoittelun aloittamista, että laite on kaikin puolin kunnossa. Älä koskaan käytä viallista laitetta.
- Älä käytä laitetta mikäli kaikki katteet ja suojukset eivät ole paikoillaan.
- Älä milloinkaan jätä mattoa pyörimään ilman valvontaa.

HARJOITUKSEN ALOITTAMINEN

- Muista venyttellä sekä harjoituksen alussa että lopussa. Venyttelyn avulla saat lihaksesi ja nivelsiteesi joustaviksi, laukaiset mahdolliset jännitystilat ja vältät venähdykset ja kipeytymiset harjoituksen aikana. Tee liikkeet rauhallisesti, pitkään ja nykimättä.
- Käynnistä juoksumatto harjoitusta varten aina siten, että seisot hajareisin juoksumaton reunalevyillä.

- Aloita harjoitus hitaalla nopeudella, ja lisää nopeutta ja/tai kulmaa asteittain kuntosi ja tuntemustesi mukaan.
- Ota tukea käsituesta aina kun nouse matolle tai siltä pois ja aina kun vaihdat maton nopeutta kesken juoksun. Älä hyppää liikkuvalla matolla.
- Pidä selkä ja niska suorana, näin vältät niskan, hartioiden ja selän puutumista ja kipeytymistä. Juokse aina mahdollisimman keskellä mattoa, ja pidä etäisyytesi mittariin sellaisena, ettei se häiritse juoksuasi, mutta yllät siihen helposti.
- Mikäli laitteen toiminnassa ilmenee häiriöitä harjoituksen aikana, ota käsituesta kiinni ja siirry välittömästi seisomaan hajareisin juoksumaton reunalevyille. Sammuta juoksumatto ja katso käyttöohjeen kohta Käyttöhäiriöt.
- Jos tunnet harjoittelun aikana pahoinvointia, huimausta tai muita epänormaaleja oireita, keskeytä harjoittelu välittömästi ja ota yhteys lääkäriin.

HARJOITUKSEN PÄÄTTÄMINEN

- Älä lopeta harjoitustasi yhtäkkiä, vaan vähennä nopeuttasi asteittain, äläkä unohda venyttelyä harjoituksen päätyttyä.
- Irrota turva-avain käyttöliittymästä.
- Kytke virta pois päältä POWER-painikkeesta.
- Irrota verkkojohto sekä virtalähteestä että juoksumatosta.
- Puhdista laite tarvittaessa hiestä hieman kostealla liinalla tai pyyhkeellä; älä käytä liuottimia.
- Säilytä verkkojohto lasten ulottumattomissa ja poissa kulkuväyliltä.

SYKE

Paras rasiustason mittari on oman sydämen syketaajuus. Lähde liikkeelle selvittämällä ensin maksimisykearvos eli se lyöntimäärä, josta sykkeesi ei enää nouse, vaikka rasiustasi lisääntyisikin. Jos et tiedä omaa maksimisykearvoasi, voit käyttää seuraavaa kaavaa suuntaa antavana:

220 – IKÄ

Maksimisyke voi vaihdella yksilöllisesti runsaastikin. Maksimisyke putoaa keskimäärin yhden sykkeen vuodessa. Varsinkin siinä tapauksessa, että kuulut johonkin riskiryhmään, kannattaa sinun ehdottomasti varmistaa maksimisykkeesi lääkärin avustuksella. Olemme määritelleet kolme eri sykealuetta, joista löydät tavoitteitasi parhaiten vastaavat harjoittelualueet.

ALOITTELIJAN TASO: 50 - 60 % maksimisykkeestä

Tämä taso on sopiva laihduttajille, toipilaille ja niille, jotka eivät ole harrastaneet liikuntaa aikaisemmin tai pitkään aikaan. Suositeltava harjoitusmäärä on kolme kertaa viikossa vähintään puoli tuntia kerrallaan.

KUNTOILIJAN TASO: 60 - 70 % maksimisykkeestä

Tämä taso sopii erinomaisesti kunnon kohottamiseen ja ylläpitämiseen. Harjoituksen tulisi kestää kerrallaan vähintään puoli tuntia ja harjoituskertoja tulisi olla vähintään kolme viikossa. Mikäli haluat kohottaa kuntoasi edelleen, sinun on lisättävä joko harjoituskertoja tai harjoitustehoa (ei kuitenkaan molempia yhtäaikaan).

AKTIIVIKUNTOILIJAN TASO: 70 - 80 % maksimisykkeestä

Harjoittelu tällä tasolla soveltuu vain erittäin hyväkuntoisille ja edellyttää jo pitkään jatkunutta kuntouutta.

MITTARI



PAINIKKEET

Päätoimintopainikkeet

1. ELEVATION +

- Valitse tällä painikkeella harjoitusohjelma P1-P17, U1-U2.
- Lisää tällä painikkeella asetettavan arvon määrää.
- Lisää tällä painikkeella juoksualustan kulmaa (0-12 %). Pidempi painallus nopeuttaa arvojen vaihtumista.

2. ELEVATION -

- Valitse tällä painikkeella harjoitusohjelma P1-P17, U1-U2.
- Vähennä tällä painikkeella asetettavan arvon määrää.
- Vähennä tällä painikkeella juoksualustan kulmaa (12-0 %). Pidempi painallus nopeuttaa arvojen vaihtumista.

3. POWER

Käynnistä ja sammuta juoksumatto tällä painikkeella.

4. START / STOP

Käynnistä ja lopeta valittu harjoitusohjelma.

5. SCAN / SELECT

- Select-toiminto: harjoituksen aikana voit valita harjoitusnäytön Distance (matka), Calories (energiankulutus), Heart rate (syke) tai Elevation (juoksualustan kulma) painamalla tätä painiketta.
- Scan-toiminto: harjoituksen aikana voit seurata kaikkia neljää näyttöarvoa vuorotellen painamalla tätä painiketta 5 sekunnin ajan.

6. ENTER / RESET

- Painamalla tätä painiketta vahvistat tekemäsi valinnan.
- Painamalla tätä painiketta 2 sekunnin ajan nollaan kaikki näytöt ja mittari siirtyy käynnistystilaan.

7. SPEED +

- Valitse tällä painikkeella harjoitusohjelma P1-P17, U1-U2.
- Lisää tällä painikkeella asetettavan arvon määrää.
- Lisää tällä painikkeella maton nopeutta (0.8-20.0 km/h). Pidempi painallus nopeuttaa arvojen vaihtumista.

8. SPEED -

- Valitse tällä painikkeella harjoitusohjelma P1-P17, U1-U2.
- Vähennä tällä painikkeella asetettavan arvon määrää.
- Vähennä tällä painikkeella maton nopeutta (20.0-0.8 km/h). Pidempi painallus nopeuttaa arvojen vaihtumista.

NÄYTÖT

A. OHJELMANÄYTTÖ: tiedot valitusta ohjelmasta

B. TIME (AIKA): harjoitusaika välillä 00:00 – 99:59. Aseta aika + / - painikkeilla.

C. SPEED (NOPEUS): maton kulkunopeus välillä 0.8 – 20.0 km/h. Säädä nopeutta SPEED + / - painikkeilla tai pikapainikkeilla.

D. DISTANCE (MATKA): harjoitusmatka välillä 0.00 – 999 km. Aseta matka + / - painikkeilla.

E. CAL: energiankulutus harjoituksen aikana välillä 0 – 999. Aseta energiankulutustavoite + / - painikkeilla.

F. INCLINE / ELEVATION (SYKE / KULMA): harjoitusyke ja juoksualustan kulma välillä 0 – 12 %. Säädä kulmaa ELEVATION + / - painikkeilla.

TOIMINTOJEN KÄYTTÖ

(lue seuraavat ohjeet huolellisesti ennen harjoittelun aloittamista)

A. KÄYTTÖTURVALLISUUS:

Aloita harjoitus kytkemällä virta laitteeseen ja kiinnittämällä turva-avain mittariin ja vaatetukseesi. Huomaa, että laite ei toimi ilman turva-avainta. Turva-avaimen irtoaminen mittarista pysäyttää maton.

B. HARJOITUSOHJELMAN VALINTA:

Mittarissa on 17 ohjelmaa (15 valmisohjelmaa, 2 muistipaikkaa omille ohjelmille). Valitse haluamasi painamalla SELECT painiketta.

C. OHJELMAN GRAAFINEN NÄYTTÖ:

Ohjelmien graafinen näyttö osoittaa nopeusprofiilin muodon, mutta ohjelmissa myös juoksualustan kulma muuttuu. Näyttö muodostuu 10 palkista. Jokaisen valmisohjelman oletuspituus on 20 minuuttia, jolloin jokainen palkki vastaa 2 minuuttia. Mikäli asetat ohjelmalle jonkin muun keston, palkkien kesto muuttuu vastaavasti.

D. HARJOITTELU TAVOITEARVOILLA:

Ennen harjoituksen alkua voit asettaa harjoituksen keston kaikissa ohjelmissa. Paina ENTER-painiketta ja tee asetus SPEED+ tai SPEED -painikkeella. Ilman tavoitearvoja suoritusarvot kumuloiduvat nolasta ylöspäin, kunnes harjoitus lopetetaan.

E. SYKE:

Voit mitata sykettä joko käsiantureiden tai sykevyön avulla. Käsisykemittaus perustuu käsituissa oleviin antureihin, jotka mittaavat sykettä aina kun laitteen käyttäjä koskettaa molempia sensoreita yhtäaikaisesti. Luotettava pulssinmittaus edellyttää että iho on jatkuvassa kosketuksessa antureihin ja että sensoreita koskeva iho on hieman kostea. Liian kuiva ja liian kostea iho heikentävät käsipulssimittauksen toimivuutta. Huomaa myös, että mikäli harjoittellessa jalat iskeytyvät voimakkaasti mattoon, voi tästä aiheutua häiriöitä jotka puolestaan saattavat heikentää käsipulssimittauksen luotettavuutta. Käyttöturvallisuuden varmistamiseksi suosittelemme pulssinmittauksen käyttöä kävelyvauhtisessa harjoittelussa tai liikkumatta joko maton reunalevyillä seisten tai pysäyttämällä maton.

MATON KÄYTTÖ JA VALMISOHJELMAT

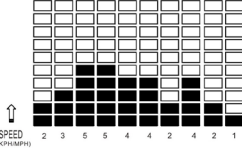
- Aseta turva-avain mittarin Safety key -kentän päälle.
- Paina POWER-painiketta. Mittari käynnistyy. Näyttö pyytää asettamaan käyttäjänpainon (ENTER WEIGHT). TIME-ikkunassa näkyy oletuspaino. Aseta paino + / - painikkeilla ja vahvista asetukset ENTER-painikkeella.
- Näyttö pyytää valitsemaan ohjelman tai pika-aloittamaan manuaaliharjoituksen START-painikkeella (SELECT PROGRAM or PRESS START).
- Paina SELECT-painiketta ja valitse ohjelma (valmisohjelma P1-P17 tai käyttäjäohjelma U1-U2) + / - painikkeilla.

OHJELMAT 1 - 17

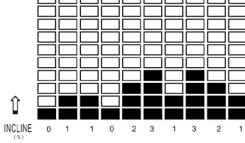
P1 Manual



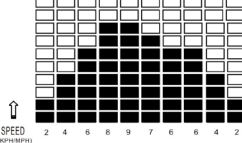
P6 Walking I



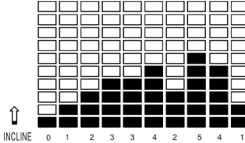
P2 Rolling hills



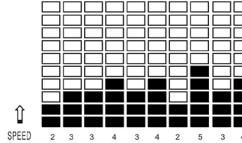
P7 Walking II



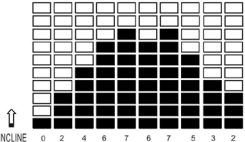
P3 Mountain Pass



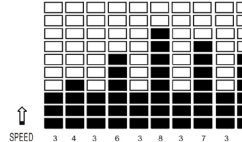
P8 Jogging



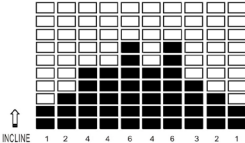
P4 Mountain Peak



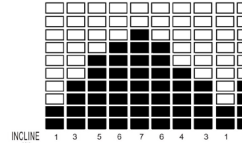
P9 Jogging Interval



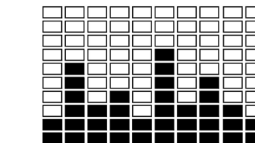
P5 Calorie Burn



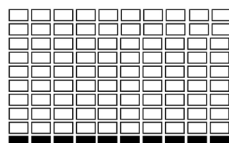
P10 Cardio Burn



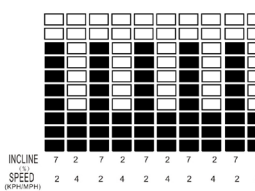
P11 Hill Interval



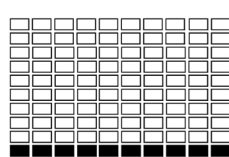
P15 U1



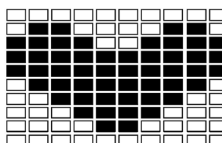
P12 Mountain Interval



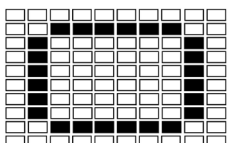
P16 U2



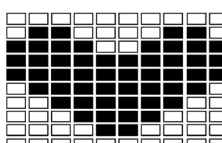
P13 HRC1-Weight Loss Speed



P17 BODYFAT



P14 HRC2-Cardio Heart Incline



Profilin muokkaus:

1. Aseta + / - painikkeilla nopeus- ja kulma-arvot profiilin ensimmäiselle palkille.
2. Vahvista asetukseksi ENTER-painikkeella, samalla siirryt seuraavaan palkin asetukseen.
3. Jatka asetuksia kunnes olet käynyt läpi ohjelman kaikki palkit.

HUOLTO

Laitteen käyttöturvallisuuden ylläpitäminen vaatii säännöllistä huoltoa ja mahdollisten toimintahäiriöitä aiheuttavien tekijöiden (osien kuluminen jne.) tarkkailua. Tarkista kerran vuodessa kaikkien kiinnitysruuvien ja muttereiden kireys. Mikäli jokin laitteen osa vikaantuu, osa tulee vaihtaa välittömästi. Laitetta ei saa käyttää ellei se ole täysin toimintakuntoinen.

JUOKSUMATON PUHDISTUS JA HUOLTOVOITELU Huoltovoitelun laiminlyönti voi johtaa takuun raukeamiseen.

Puhdista käsitet ja käyttöliittymä pölystä ja liasta säännöllisesti hieman kostealla kankaalla. Älä käytä liuottimia. Puhdista juoksumaton rungon näkyvät osat (mm. matto, pohjalevy, reunalevyt) pienisuuttimisella imurilla säännöllisesti. Laitteen pohjapuolen puhdistusta varten nosta juoksumatto säilytysasentoon. Pidä myös juoksumaton ympäristö puhtaana. Käytössä juoksumatto kerää esim. pölyä, joka voi aiheuttaa ongelmia laitteen toiminnassa.

Tavanomaisessa kotikäytössä (enimmäiskäyttöaika 1 tunti / päivä) juoksumaton voitelu tulee tarkistaa kerran kuukaudessa – matto tulee kuitenkin voidella vain silloin kun se on tarpeen. Vaativammassa käytössä voitelu tulee tarkistaa mainittua useammin. Helpointa tämä on tehdä ennen harjoituksen aloittamista. Tarkista voitelu seuraavasti:

1. Varmista että juoksumatto on irroitettu virtalähteestä. Astu laitteen maton päälle ja seiso tukevasti siinä kohtaa, jossa normaalisti juokset matolla.
2. Tartu poikittaikäsitukseen ja työnnä mattoa jaloillasi edestakaisin. Maton tulee liukua pehmeän tasaisesti, ilman ääntä.
3. Mikäli matto liikkuu nykivästi tai ei lainkaan, tarkista onko pohjalevyn pinnassa voiteluainetta työntämällä kätesi maton alle.

Voitele juoksualue seuraavasti:

1. Kiinnitä voiteluputki T-Lube S -purkin nokkaan.
2. Nosta juoksumatto säilytysasentoon ja lukitse se.
3. Työnnä voiteluputki aluslevyn ja maton väliin takatelan viereen laitteen alapuolelta siten, että voiteluputken pää on maton keskikohdalla.
4. Ruiskuta voiteluainetta 2-3 sekunnin ajan.
5. Laske juoksualue alas käyttöasentoon. Aloita harjoituksesi tai anna maton pyöriä vähintään 5 minuutin ajan.

! TÄRKEÄÄ! Käytä pohjalevyn voiteluun vain Tunturin T-Lube S voiteluainetta. T-Lube S voiteluainetta sekä neuvoja juoksumaton huollosta ja voitelusta saat laitteesi myyjältä.



MATON KESKITTÄMINEN

Tarkkaile maton kulkua harjoittelusi aikana ja suorita alla esitetyt säätötoimet välittömästi, kun huomaat niihin tarvetta. Maton tulee kulkea laitteen keskellä. Keskittämistä ei yleensä tarvita, mikäli

- juoksumatto on tasaisella ja kovalla alustalla ja maton kireys on oikea ja
- matto on oikein keskitetty.

Esimerkiksi harjoittelijan epätasaisesta painonjakaumasta johtuen matto saattaa kuitenkin lähteä siirtymään kohti laitteen toista reunaa.

1. Säädä nopeudeksi 5 km/h.
2. Jos matto siirtyy kohti laitteen vasenta reunaa, käännä juoksumaton takareunassa olevaa vasemmanpuoleista säätöruuvia ¼ kierrosta myötäpäivään ja oikeanpuoleista säätöruuvia ¼ kierrosta vastapäivään. Jos matto siirtyy kohti laitteen oikeaa reunaa, käännä oikeanpuoleista säätöruuvia ¼ kierrosta myötäpäivään ja vasemmanpuoleista säätöruuvia ¼ kierrosta vastapäivään.
3. Säätö on riittävä, mikäli matto pysyy keskellä, mutta jos matto jatkaa edelleen kulkemistaan kohti laitteen toista reunaa, jatka asteittaista säätämistä kunnes matto kulkee suoraan.

Mikäli maton annetaan kulkea pidemmän ajan vinossa siten, että jompikumpi maton reuna hankaa laitteen sivuja vasten, laitteen käytössä saattaa ilmetä häiriöitä. Laitteen takuu ei korvaa maton keskittämisen laiminlyömisestä johtuvia vikoja tai vaurioita.

MATON KIREYDEN SÄÄTÖ

Maton tulee olla niin löysällä kuin mahdollista. Mattoa pitää kuitenkin kiristää, jos se normaalikäytössä alkaa luistaa telan päällä. Kireyden säätö suoritetaan samoilla säätöruuveilla kuin keskittäminen. Mikäli matto ei kiristy säätöruuveista, ota yhteys laitteen myyjään.

1. Säädä nopeudeksi 5 km/h.
2. Kierrä molempia säätöruuveja myötäpäivään ¼ kierrosta.
3. Yritä hidastaa maton kulkua kävelemällä jarruttaen, ikään kuin kulkisit alamäkeen. Mikäli matto luistaa edelleen, kierrä vielä ¼ kierrosta ja toista kokeilu. Hyvin voimakkaasti jarrutettaessa matto saa luistaa. Mikäli matto luistaa jatkuvasti säädöistä huolimatta, ota yhteys laitteen myyjään.

KÄYTTÖHÄIRIÖT

Jatkuvasta laaduntarkkailusta huolimatta laitteessa saattaa esiintyä yksittäisistä komponenteista johtuvia yksilövikoja tai toimintahäiriöitä. Koko laitteen toimittaminen korjattavaksi on yleensä tarpeetonta, sillä vika on useimmiten korjattavissa ko. osan vaihdolla.

Mikäli laitteen toiminnassa ilmenee häiriöitä käytön aikana, ota välittömästi yhteys laitteen myyjään. Ilmoita laitteesi malli ja sarjanumero, sekä häiriön luonne, laitteen käyttöympäristö sekä ostopäivämäärä. Mikäli juoksumatossasi ilmenee normaalista poikkeavia toimintoja, sammuta laite POWER-painikkeesta ja odota minuutin verran. Käynnistä tämän jälkeen matto ja totea onko virhetoiminta poistunut. Mikäli virhetoimintoa ei enää esiinny, laitetta voi käyttää normaalisti. Mikäli virhetoiminto ei ole poistunut, ota yhteys laitteen myyjään.

Mikäli tarvitset laitteeseesi varaosia, ota yhteys laitteen

myyjään. Ilmoita aina laitteen malli, sarjanumero sekä tarvittavan osan varaosanumero. Varaosaluettelon löydät tämän oppaan lopusta. Laitteessa saa käyttää vain varaosalistassa mainittuja osia.

VIRHEILMOITUKSET

Mittari antaa ilmoituksen havaitsemistaan toimintahäiriöistä.

E1: Nopeussensorihäiriö. Irrota verkkojohto virtalähteestä, odota minuutti ja käynnistä uudestaan. Mikäli virheilmoitus on poistunut, voit käyttää laitetta normaalisti. Mikäli virheilmoitus ei poistu, ota yhteys laitteen myyjään.

E3: Nostomoottorihäiriö. Irrota verkkojohto virtalähteestä, odota minuutti ja käynnistä uudestaan. Mikäli virheilmoitus on poistunut, voit käyttää laitetta normaalisti. Mikäli virheilmoitus ei poistu, ota yhteys laitteen myyjään.

YLIVIRTASUOJA

Mikäli juoksumaton virrankulutus kasvaa liian suureksi, maton ylivirtasuojia katkaisee virransyötön juoksumatolle ja sulakkeen painike hyppää ylös. Toimi tällöin seuraavasti:

- A. Irrota laite virtalähteestä. Tarkista erityisesti maton voitelu sekä mahdolliset muut mekaaniset syyt ylivirtasuojan laukeamiseen.
- B. Paina sulakkeen painike alas.
- C. Liitä laite virtalähteeseen. Laite on jälleen valmis käytettäväksi.



TÄRKEÄÄ!

Älä paina sulakkeen painiketta alas ennen kuin olet irrottanut virtajohtojen juoksumatosta!

Mikäli sammutat mittarin mutta jätät laitteen virtalähteeseen kytketyksi, virta kulkee yhä mittarille. Mittarissa on varmuustoimenpiteenä turvaohjelma, joka sulkee virrankulun matolle, mikäli laitetta ei käytetä kuuden tunnin aikana. Mikäli juoksumatto on sammuttanut itsensä, käynnistä laite seuraavasti:

- A. Irrota virtajohto juoksumaton liittimestä.
- B. Kiinnitä virtajohto laitteen liittimeen ja käynnistä laite.



KULJETUS JA SÄILYTYS

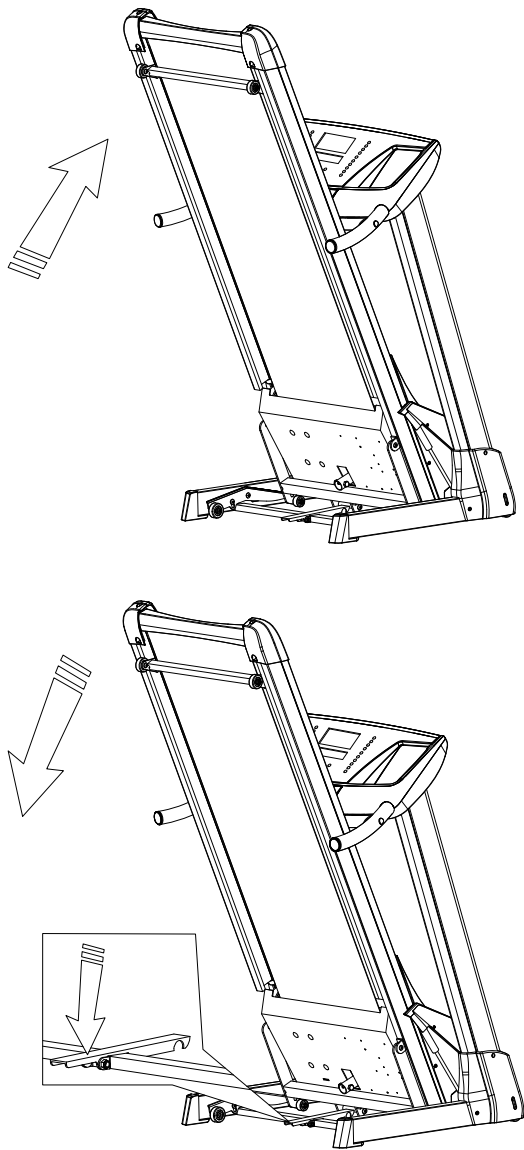
Käyttökuntoon asennetun juoksumaton voi taittaa tilaa säästävään säilytysasentoon.

! TÄRKEÄÄ!

Juoksualustan voi nostaa säilytysasentoon vain, mikäli alustan kulma on 0%. Mikäli kulma on jokin muu, säilytysasentoon nostaminen vahingoittaa lukitusmekanismia!

Nosta juoksualustaa ylös kunnes se lukittuu.

! TÄRKEÄÄ! Juoksualustan lukituessa kuulet naksahdavan äänen.



Työnnä juoksualustaa hieman eteenpäin, paina jalallasi lukitusvipua alas ja laske saattaen juoksualusta lattialle.

! TÄRKEÄÄ! Laitteen rakenne laskee juoksualusta alas hitaasti. Varmista aina että tila juoksualustan alla on tyhjä ennen alustan laskemista.

Varmista aina ennen laitteen siirtämistä, että virtajohto on irti niin laitteesta kuin virtalähteestäkin. Nosta juoksualusta ylös niin että se lukittuu. Siirrä juoksumattoa siirtopyörien varassa, ohjaa mattoa käsituesta kiinni pitäen. Laske juoksualusta saattaen lattialle.

! TÄRKEÄÄ! Siirrä juoksumattoa erityisellä varovaisuudella lattian epätasaisuuksien, esim. kynnysten yli. Rapuissa mattoa tulee aina kantaa. Suosittelemme, että käytät suojaavaa alustaa, kun laitetta siirretään.

! TÄRKEÄÄ! Matto on tarvittaessa keskitettävä laitteen siirtämisen jälkeen.

Säilytä laite mahdollisimman kuivassa ja tasalämpöisessä paikassa pölyltä suojattuna. Irtota verkkopistoke jokaisen käyttökerran jälkeen.

TEKNISET TIEDOT

Pituus (säilytysasento)	193 cm (93 cm)
Korkeus	140 cm (181 cm)
Leveys	91 cm
Paino	101 kg
Juoksupinta-ala	51 x 150 cm
Nopeus	0.8-20.0 km/h
Kaltevuuden säätö	0-12 %
Moottori	2.0 hv

Tämä Tunturi-laite täyttää sähkömagneettista yhteensopivuutta koskevan EU:n EMC-direktiivin (89/336/EEC) sekä pienjännitedirektiivin (73/23/EEC) vaatimukset. Tuote on varustettu sen mukaisesti CE-merkinnällä. Jatkuvan tuotekehityksen vuoksi oikeudet muutoksiin pidätetään.

! TÄRKEÄÄ! Tässä ohjekirjassa annettuja tietoja kuntolaitteen asennuksesta, käytöstä ja huollosta tulee noudattaa erittäin huolellisesti. Takuu ei korvaa vahinkoja, jotka ovat aiheutuneet tässä ohjekirjassa mainittujen asennus-, säätö- tai huoltotoimenpiteiden laiminlyönneistä. Mikäli asennus-, säätö- tai huoltotoimenpiteitä tehdään toisin kuin ohjekirjassa mainitaan tai laitteelle tehdään toimenpiteitä, joita Tunturi-Fitness ei nimenomaisesti ole hyväksynyt, laitetta ei tule käyttää!

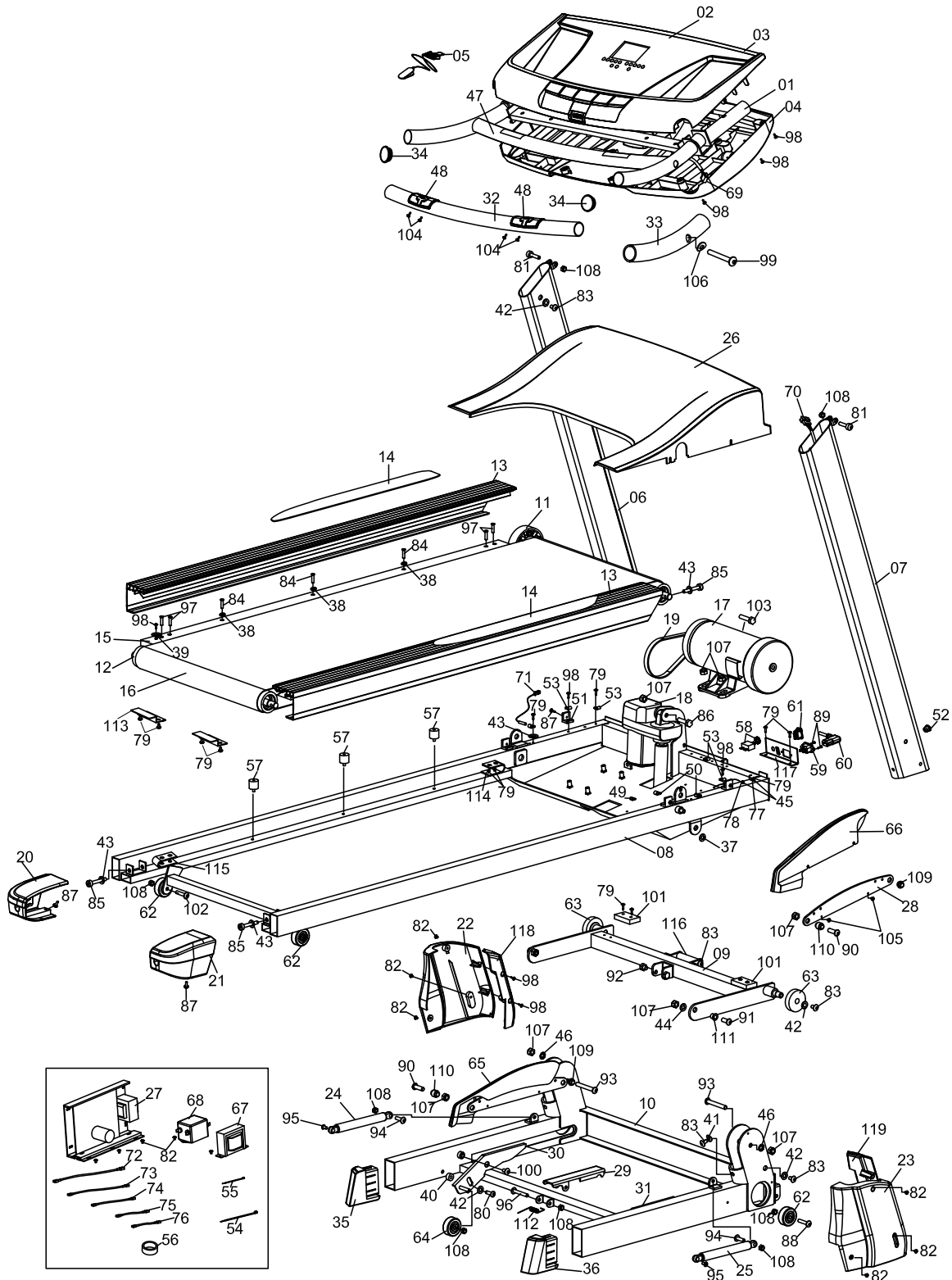
Toivotamme Sinulle miellyttäviä harjoitushetkiä Tunturi-harjoituskumppanisi kanssa!





RUN 1.0 EXPLODED VIEW

13TRN01000



PARTLIST

01	Console base		1	63	Wheel	60mm	2
02	User interface (incl. 03.04 and Membrane)		1	64	Wheel	50mm	2
03	Upper cover		1	65	Incline bracket cover,	LH	1
04	Lower cover		1	66	Incline bracket cover,	RH	1
05*	Safety key		1	67	Transformer,	EUR	1
06	Upright tube,	LH	1	68	Filter,	EUR	1
07	Upright tube,	RH	1		Wire set (incl. 69,70)		
08	Frame		1	69	Upper wire		1
09	Incline structure frame		1	70	Lower wire		1
10	Front support frame		1	71	Speed sensor		1
11	Front roller		1		Power wire set (incl. 72,73,74,75,76)		
12	Rear roller		1	72	Wire 130mm		1
13	Side landings,	LH+RH	1	73	Wire 110mm		1
14	Anti-slip mats,	LH+RH	1	74	Wire 70mm		2
15	Running deck		1	75	Wire 53mm		1
16	Running belt	(1.8mm black)	1	76	Wire 45mm		1
17	Motor,	230V	1	77	Grounding wire 90mm		1
	Motor,	110V	1	78	Grounding wire 65cm		1
18	Lift motor,	230V	1	79	Screw		28
	Lift motor,	110V	1	80	Hexagon socket cap screw		2
19	Drive belt		1	81	Screw		2
20	Rear end cap,	LH	1	82*	Screw		15
21	Rear end cap,	RH	1	83*	Hexagon screw		10
22	Side cover,	LH	1	84	Countersunk head screw		6
23	Side cover,	RH	1	85	Hexagon socket cap screw		3
24	Gas spring,	LH	1	86	Screw		1
25	Gas spring,	RH	1	87	Screw		8
26	Motor cover		1	88	Hexagon socket cap screw		2
27	Power board,	230V	1	89	Screw		2
	Power board,	110V	1	90	Screw		2
28	Incline bracket		2	91	Screw		2
29	Locking lever		1	92	Screw		2
30	Wheel bracket,	LH	1	93	Screw		2
31	Wheel bracket,	RH	1	94	Hexagon socket cap screw		2
32	Horizontal bar grip foam		1	95	Screw		2
33	Handle grip foam		2	96	Hexagon socket cap screw		1
34	End cap		2	97	Hexagon socket cap screw		8
35	Front support end cap,	LH	1	98	Screw		25
36	Front support end cap,	RH	1	99	Screw		4
37	Plastic washer	25x14x1,5	2	100	Screw		2
38	Plastic washer	6x9,3x1,8	6	101	Bumper		2
39	Plastic washer	4,5x9,7	2	102	Screw		2
40	Plastic washer	19x8x10	2	103	Screw		1
41*	Washer	10x25x1,8	2	104	Screw		4
42*	Washer	8x18x1,5	11	105	Screw		4
43	Washer	8x16x1,5	4	106	Washer	10x25x1,8	2
44	Washer	10x20x2	2	107	Nylock nut		11
45	Star Washer	M4	4	108	Locking nut		11
46	Star Washer	M10	2	109	Fixing tube		2
47	Horizontal bar	(Incl. in No. 01)	1	110	Fixing tube		2
48	Hand pulse,	LH+RH	1	111	Fixing tube		2
49	Wire holder		1	112	Spring		1
50	Wire holder		2	113	Z-plate		2
51	Motor cover bracket		4	114	Leaf spring, front		2
52	Through-leading rubber		1	115	Leaf spring, rear		2
53	Wire holder		5	116	Incline structure frame axle		1
54	Plastic fixer,	4x200mm	2	117	Switch bracket		1
55	Plastic fixer,	2,5x100mm	3	118	Side inner cover,	LH(Incl. in No. 22)	1
56	Ferrite		2	119	Side inner cover,	RH(Incl. in No. 23)	1
57	Rubber bumper	25x22x6mm	6		Membrane set		
58	Overcurrent protector,	10A	1		Label set		
	Overcurrent protector,	13A	1		Screw set		
59	Power socket		1		Assembly kits		
60	Power cable (EU)		1		Owner's manual		
61	ON/OFF Switch		1		Wireless heart rate receiver		
62	Wheel	50mm	4		Carton		



TUNTURI®

Tunturi Fitness B.V.
P.O. Box 60001
1320 AA Almere
The Netherlands
Tel: +31 36 5460050
Fax: + 31 36 5460055

www.tunturi.com

O W N E R ' S M A N U A L