



Návod k použití - EN

IN 1966 - Rotoped SEG 3296



Product May Vary Slightly From Picture.

MADE IN TAIWAN

Exercise can present a health risk. Consult a physician before beginning any exercise program with this equipment.

If you feel faint or dizzy, immediately discontinue use of this equipment. Serious bodily injury can occur if this equipment is not assembled and used correctly. Serious bodily injury can also occur if all instructions are not followed.

Keep children and pets away from equipment when in use. Always make sure all bolts and nuts are tightened prior to each use. Follow all safety instructions in this manual.

CAUTION: WEIGHT ON THIS PRODUCT SHOULD NOT EXCEED 136KG / 300LBS.

VERSION: VII

SAFETY INSTRUCTION



WARNING: To reduce the risk of serious injury, read the following safety instructions before using the URIGHT BIKE

1. Read all warnings posted on the equipment
2. Read this Owner's Manual and follow it carefully before using the equipment. Make sure that it is properly assembled and tightened before use
3. We recommend that two people be available for assembly of this product
4. Keep children and pets away from the equipment. Do not allow children and pets to use or play on the equipment. Always keep children and pets away from the equipment when it is in use
5. It is recommended that you place this exercise equipment on an equipment mat
6. Set up and operate the equipment on a solid level surface. Do not position the equipment on loose rugs or uneven surfaces
7. Inspect the equipment for worn or loose components prior to each use
8. Tighten / replace any loose or worn components prior to using the equipment
9. Consult a physician prior to commencing an exercise program. If, at any time during exercise, you feel faint, dizzy, or experience pain, stop and consult your physician
10. Follow your physician's recommendations in developing your own personal fitness program
11. Always choose the workout which best fits your physical strength and flexibility level. Know your limits and train within them. Always use common sense when exercising
12. Before using this product, please consult your personal physician for a complete physical examination.
13. Do not wear loose or dangling clothing while using the equipment
14. Never exercise in bare feet or socks; always wear correct footwear, such as running, walking, or cross-training shoes
15. Be careful to maintain your balance while using, mounting, dismounting, or assembling the equipment loss of balance may result in a fall and serious bodily injury
16. Keep both feet firmly and securely on the Foot Pedals while exercising
17. The equipment should not be used by persons weighing over 300 pounds /136 kgs
18. The equipment should be used by only one person at a time
19. The equipment is for semi-commercial, light-commercial and home usage
20. Maintenance: Replace the defective components immediately and / or keep the equipment out of use until repair the equipment completely.
21. Make sure that adequate space is available for access to and passage around the equipment; keep at least a distance of 1 meter from any obstruction object while using the machine

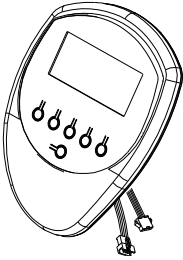
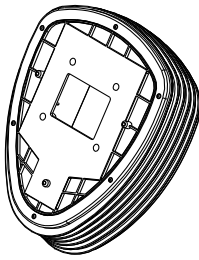
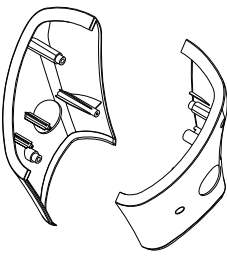
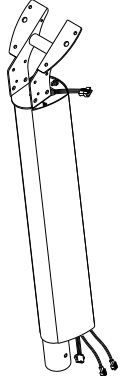
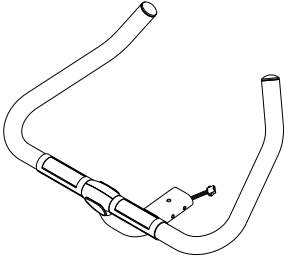
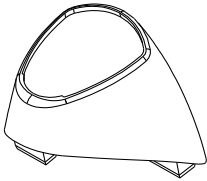
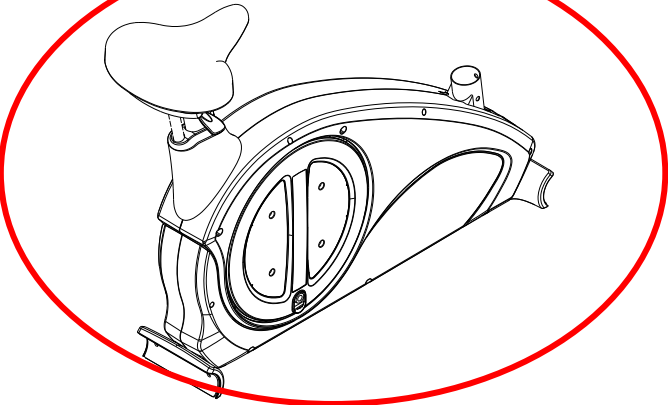
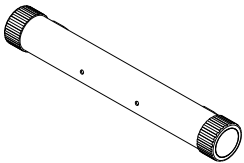
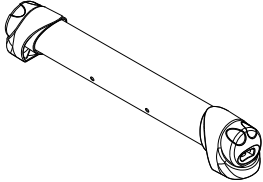
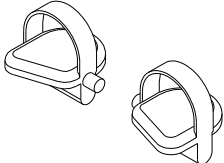
WARNING: Before starting any exercise or conditioning program you should consult with your personal physician to see if you require a complete physical exam. This is especially important if you are over the age of 35, have never exercised before, are pregnant, or suffer from any illness



READ AND FOLLOW THE SAFETY PRECAUTIONS. FAILURE TO FOLLOW THESE INSTRUCTIONS CAN RESULT IN SERIOUS BODILY INJURY

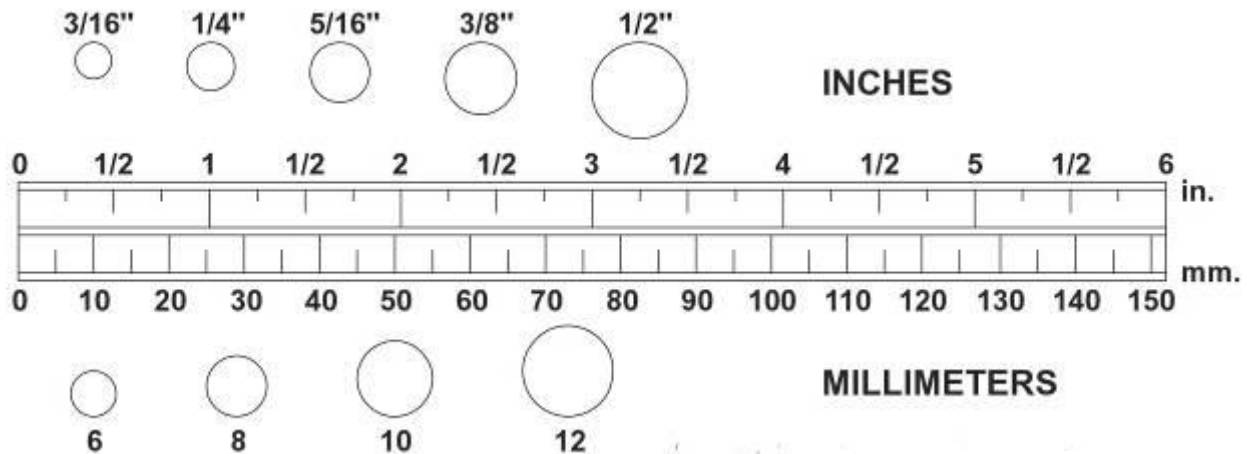
ASSEMBLY PARTS

Unpack the box in a clear area. Follow the **List of Assembly Parts** below to check and make sure all assembly parts are present and in good condition. Do not dispose of the packing material until the assembly process is completed. Assembly tools and hardware kit have included for you to use when assembling the product

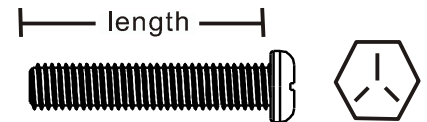
Console Upper Cover	Console Bottom Cover	Console Sleeve	Upright Post Assembly
			
Front Handlebar	Upright Sleeve	Main Frame Assembly	
			
Front Stabilizer	Rear Stabilizer	Pedal	
			

HARDWARE IDENTIFICATION CHART

Unpack the box in a clear area. Follow the **List of Hardware Kit** below. This chart is provided to help identify the hardware used in the assembly process. Place the washers, the end of bolts, or screws on the circles to check for the correct diameter. Use the small scale to check the length of the bolts and screws. Do not dispose of the packing material until the assembly process is completed



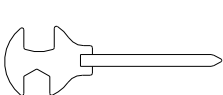
NOTICE: The length of all bolts and screws except those with flat heads is measured from below the head to the end of the bolt or screw. Flat head bolts and screws are measured from the top of the head to the end of the bolt or screw



After unpacking the unit, open the hardware bag and make sure that you have all the following items. **Note: Some small parts may have been pre-attached for shipping. If a part is not in the hardware bag, check to see if it has been pre-assembled**

	Part No. and Description	Q'TY
	65 Lock Washer (M8)	9 pcs
	66 Washer (8x16x2.0t)	9 pcs
	72 Screw, Pan Head (M5xp0.8x25mm)	4 pcs
	73 Screw, Round Head (M5xp0.8x15mm)	4 pcs
	81 Bolt, Socket Head (M6xp1.0x15mm)	4 pcs
	82 Bolt, Socket Head (M8xp1.25x16mm)	4 pcs
	83 Bolt, Socket Head (M8xp1.25x45mm)	1 pcs
	84 Bolt, Socket Head (M8xp1.25x90mm)	4 pcs

THE FOLLOWING TOOLS ARE INCLUDED FOR ASSEMBLY:



**MULTI WRENCH TOOL W/
PHILLIPS SCREWDRIVER
(13 & 15mm)**



**ALLEN WRENCH
(5 & 6 mm)**

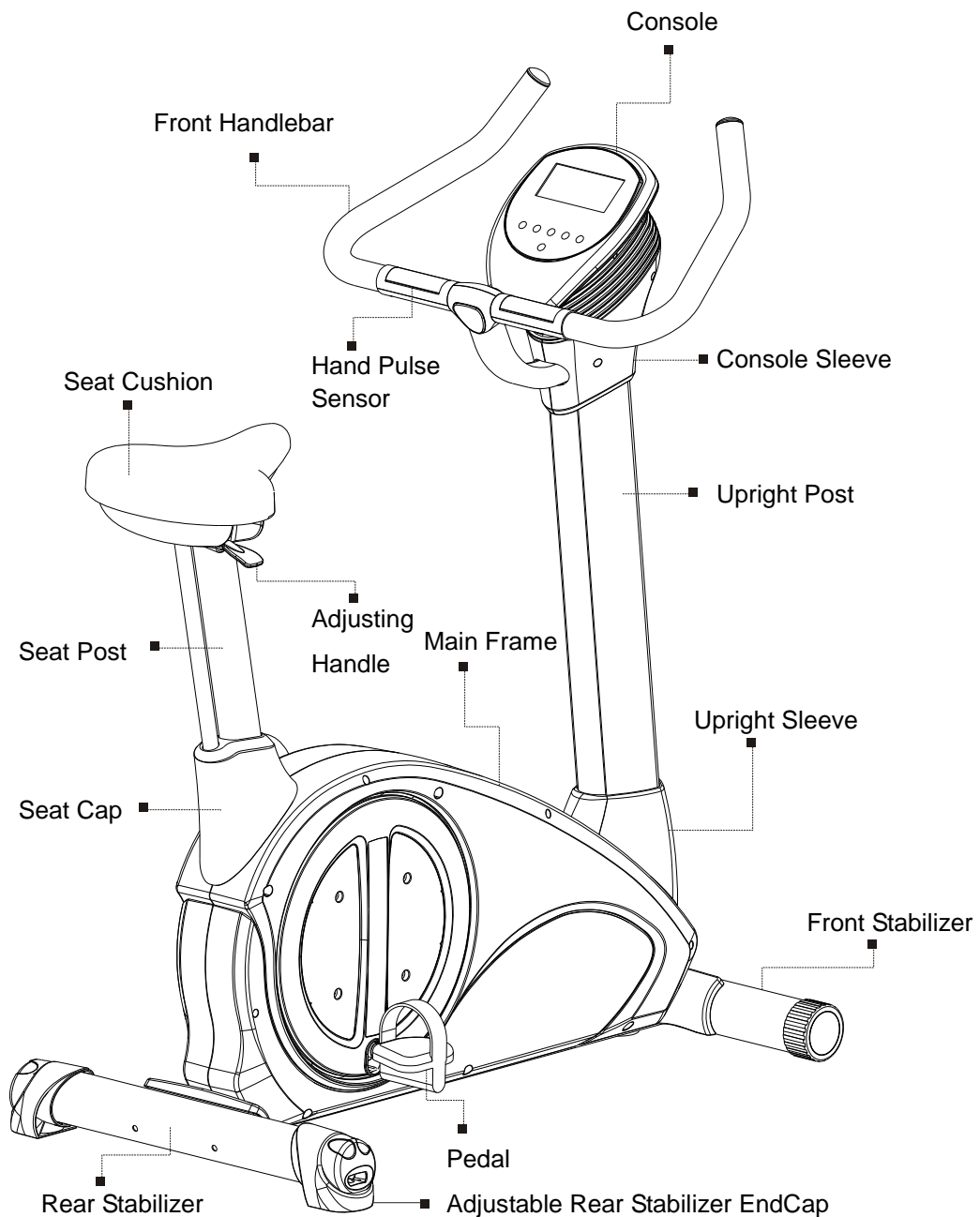
BEFORE YOU BEGIN

Thank you for choosing the **UPRIGHT BIKE**. We take great pride in producing this quality product and hope it will provide many hours of quality exercise to make you feel better, look better and enjoy life to its fullest.

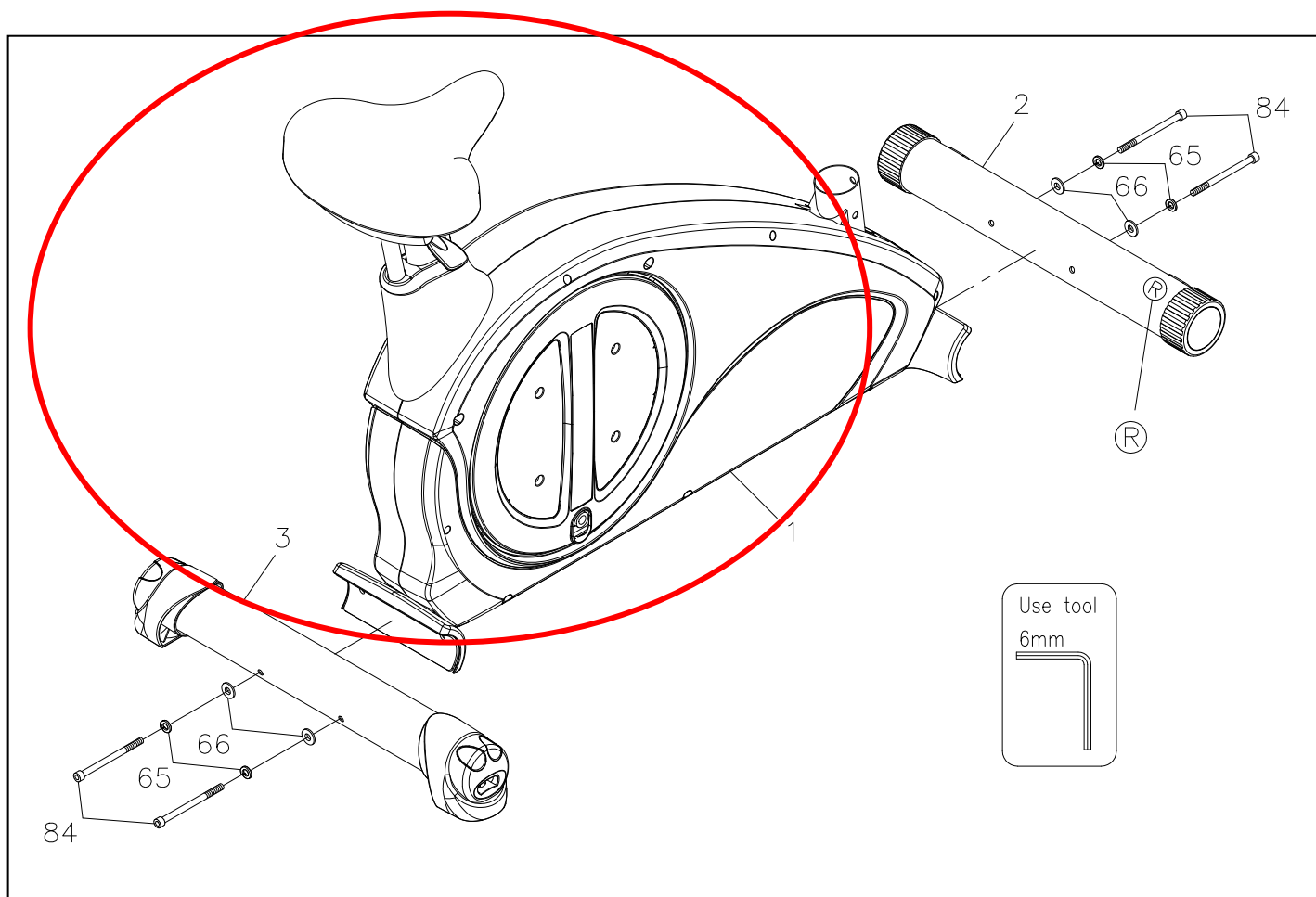
Yes, it's a proven fact that a regular exercise program can improve your physical and mental health.

Too often, our busy lifestyles limit our time and opportunity to exercise. The equipment provides a convenient and simple method to begin your assault on getting your body in shape and achieving a happier and healthier lifestyle.

Before reading further, please review the drawing below and familiarize yourself with the parts that are labeled. Read this manual carefully before using the equipment.



ASSEMBLE INSTRUCTIONS



STEP 1 – Stabilizer Assembly

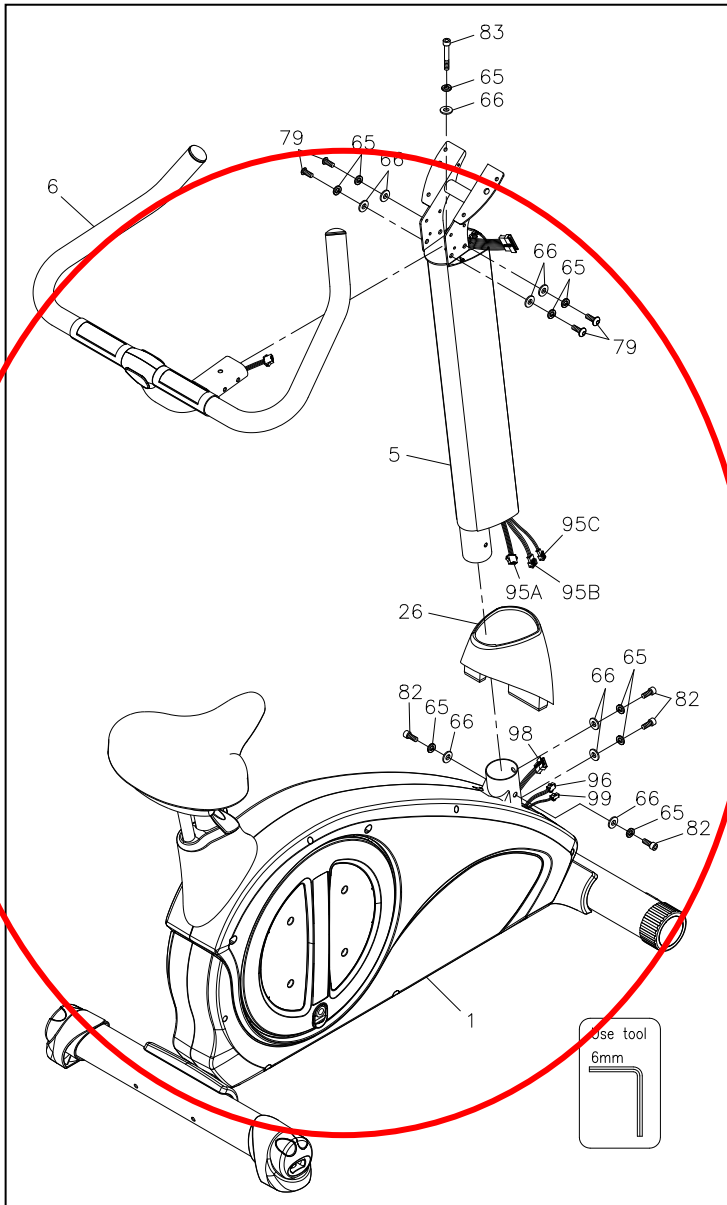
- Identify the correct direction of the **Front Stabilizer (2)**, there is an “R” decal on the right side of the **Front Stabilizer (2)**
- Attach the **Front Stabilizer (2)** to the **Main Frame (1)** and secure with two **Lock Washers (M8)(65)**, two **Washers (8x16x2.0t)(66)** and two **Bolts, Socket Head (M8xp1.25x90mm)(84)**

NOTE: “Small Tip: Attach screws and bolts to the assembly parts first before secure”

To assemble the **Front Stabilizer (2)** to the **Main Frame (1)** with more efficient and easy way, it is suggested to attach two **Lock Washers (M8)(65)**, two **Washers (8x16x2.0t)(66)** and two **Bolts, Socket Head (M8xp1.25x90mm)(84)** to the **Front Stabilizer (2)** and the **Main Frame (1)** first before fully secure. ****Please do not secure the bolts unless you make sure Bolts all go into screw holes of Front Stabilizer and Main Frame****

- Fully secure two **Lock Washers (M8)(65)**, two **Washers (8x16x2.0t)(66)** and two **Bolts, Socket Head (M8xp1.25x90mm)(84)** that attach to the **Front Stabilizer (2)** to the **Main Frame (1)**
- Follow the above STEP b. to attach the **Rear Stabilizer (3)** to the **Main Frame (1)** with two **Lock Washers (M8)(65)**, two **Washers (8x16x2.0t)(66)** and two **Bolts, Socket Head (M8xp1.25x90mm)(84)**.

ASSEMBLE INSTRUCTIONS



STEP 2 – Upright Post Assembly

- Slide the **Upright Sleeve (26)** onto the **Upright Post Assembly (5)** **Be care not to pinch the wires**
- Attach the **Upright Post Assembly (5)** to the **Main Frame (1)** with four **Washers (8x16x2.0t)(66)**, four **Lock Washers (M8)(65)**, four **Bolts, Socket Head (M8xp1.25x16mm)(82)**

NOTE: “Small Tip: **Attach screws and bolts to the assembly parts first before secure**” ****Please do not secure the bolts unless you make sure 4pcs Washers, Lock Washers and Bolts all go into screw holes of Upright Post Assembly and Main Frame****

- Fully secure four **Washers (8x16x2.0t)(66)**, four **Lock Washers (M8)(65)**, and four **Bolts, Socket Head (M8xp1.25x16mm)(82)** that attach to the **Upright Post Assembly (5)** and the **Main Frame (1)**.
- Connect the **Rear Connection Wire (95A)** to the **Motor Wire (98)**. **Be care not to pinch the wires.**
- Connect the **Rear Connection Wire (95B)** to the **Adaptor Connection Wire (96)**. **Be care not to pinch the wires**
- Connect the **Rear Connection Wire (95C)** to the **Sensor Wire (99)**. **Be care not to pinch the wires**

NOTE: After connecting the wires, slightly and gently pull two sides of wires to test and make sure whether the wires are fully connected.

- Slide the **Upright Sleeve (26)** down until it meets the **Main Frame (1)**.

STEP 3 – Front Handlebar Assembly

- Remove four **Washers (8x16x2.0t)(66)**, four **Lock Washers (M8)(65)** and four **Bolts, Button Head (M8xp1.25x16mm)(79)** from the side of the **Front Handlebar (6)**
- Position the **Front Handlebar (6)** in place through the **Upright Post Assembly (5)** and secure with five **Washers (8x16x2.0t)(66)**, five **Lock Washers (M8)(65)**, four **Bolts, Button Head (M8xp1.25x16mm)(79)** and one **Bolt, Socket Head (M8xp1.25x45mm)(83)** **NOTE:** One **Washer (8x16x2.0t)(66)**, one **Lock Washer (M8)(65)**, one **Bolt, Socket Head (M8xp1.25x45mm)(83)** will be packed into the hardware bag

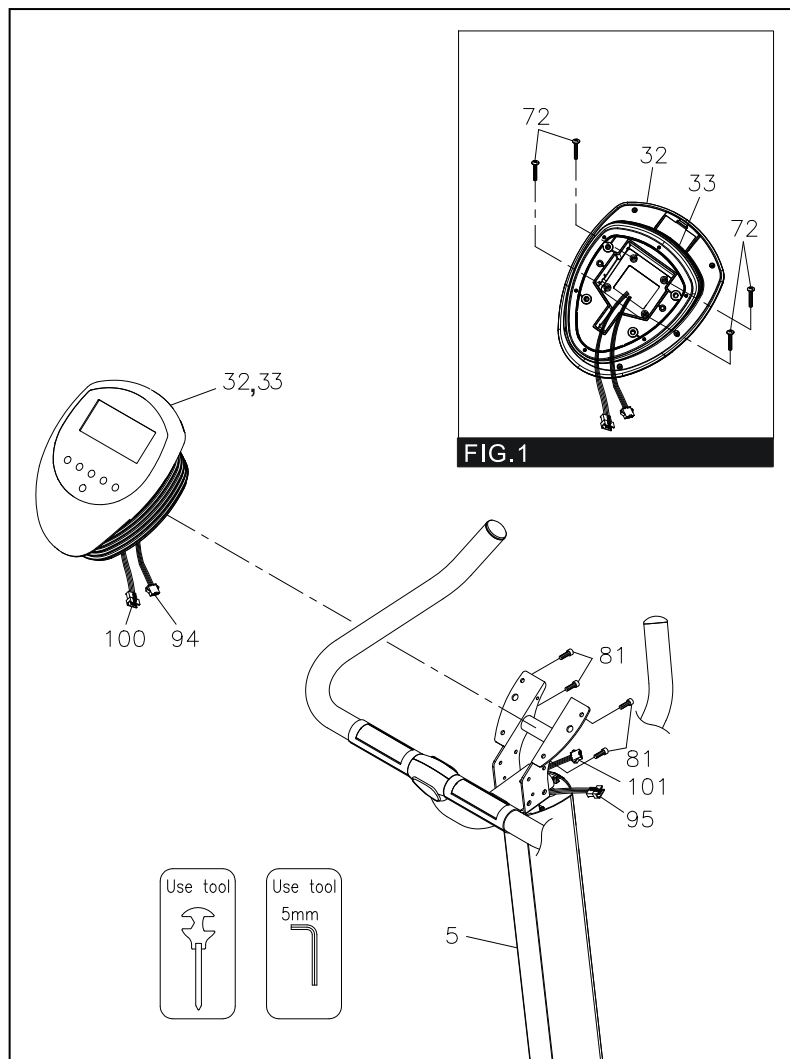
NOTE: “Small Tip: **Attach screws and bolts to the assembly parts first before secure**”

****Please do not secure the bolts unless you make sure Bolts all go into screw holes of Front Handlebar and Upright Post Assembly****

- Fully secure five **Washers (8x16x2.0t)(66)**, five **Lock Washers (M8)(65)**, four **Bolts, Button Head**

(M8xp1.25x16mm)(79) and one Bolt, Socket Head (M8xp1.25x45mm)(83) that attach to the Front Handlebar(6) and the Main Frame (1)

ASSEMBLE INSTRUCTIONS



STEP 4 – Console Assembly

- Follow **FIG.1** to attach the **Console Bottom Cover (33)** to the **Console Upper Cover (32)** and secure with four **Screws, Pan Head (M5xp0.8x25mm)(72)**
- Place and secure the **Console Assembly (32, 33)** onto the iron plate of the **Upright Post Assembly (5)** using four **Bolts, Socket Head (M6xp1.0x15mm)(81)**.

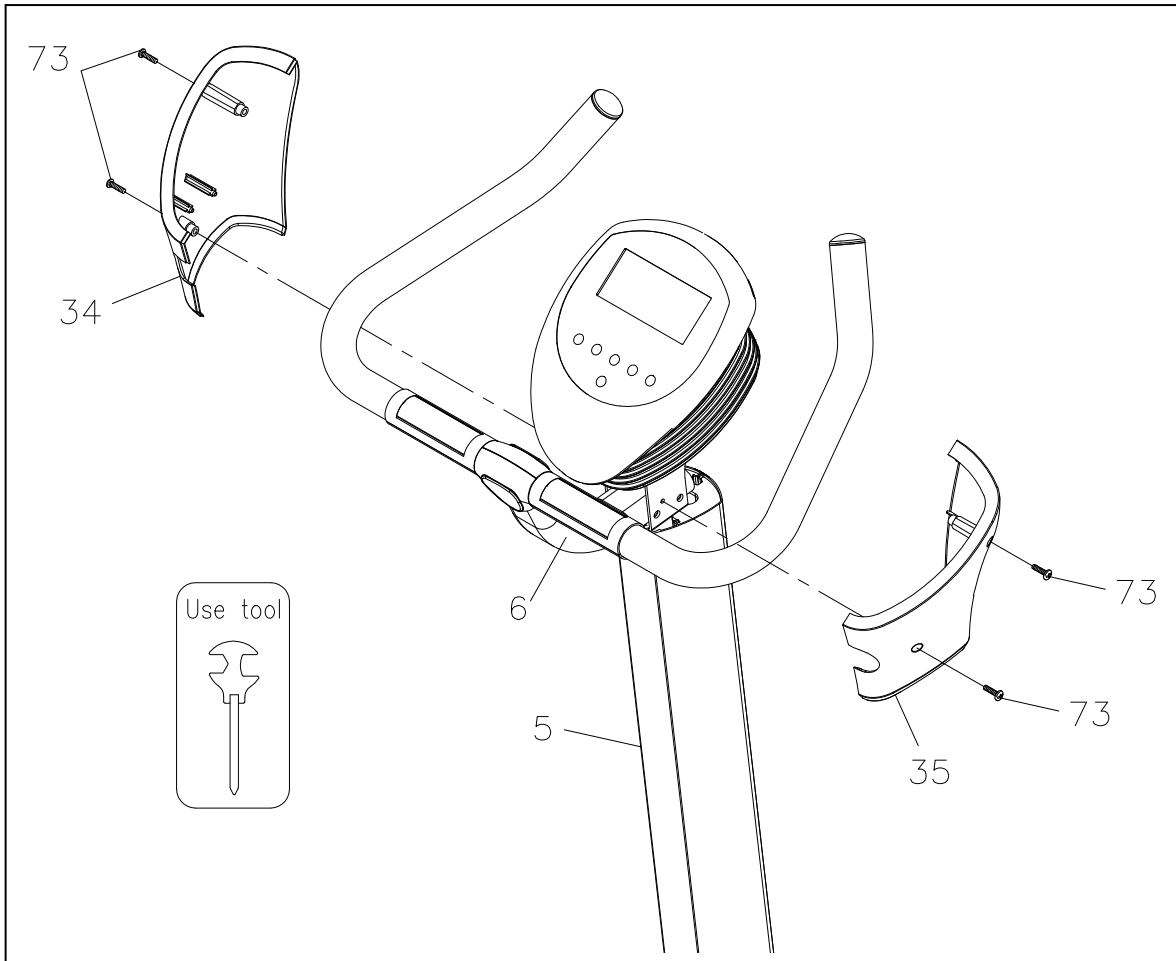
NOTE: “Small Tip: Attach screws and bolts to the assembly parts first before secure”

****Please do not secure the bolts unless you make sure Bolts all go into screw holes of Console and Upright Post Assembly****

- Fully secure four **Bolts, Socket Head (M6xp1.0x15mm)(81)** that attach to the **Console(32,33)** and the **Upright Post Assembly(5)**.
- Connect the **Front Connection Wire (94)** to the **Rear Connection Wire (95)**. **Be care not to pinch the wires**
- Connect the **Front Pulse Sensor Wire (100)** to the **Rear Pulse Sensor Wire (101)**. **Be care not to pinch the wires**

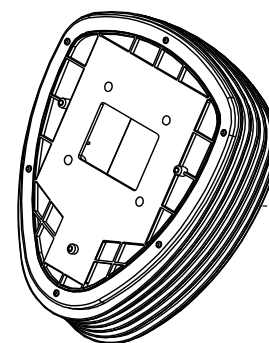
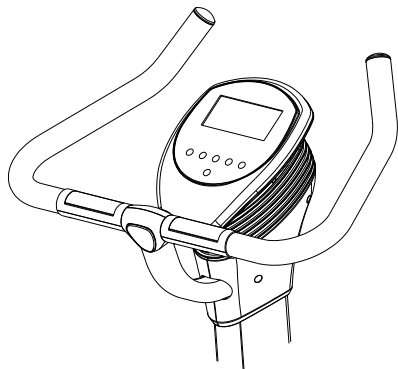
NOTE: After connecting the wires, slightly and gently pull two sides of wires to test and make sure whether the wires are fully connected.

ASSEMBLE INSTRUCTIONS



STEP 5 – Console Sleeve Assembly

- a. Attach the **Right Console Sleeve (35)** to the right side of the **Upright Post Assembly (5)** **NOTE:** Make sure that the **Right Console Sleeve (35)** would cover the right side of the **Upright Post Assembly (5)**, lowest layer of the **Console Button Cover (33)** and the right side of the **Front Handlebar (6)** as the **illustrator shown on the left**

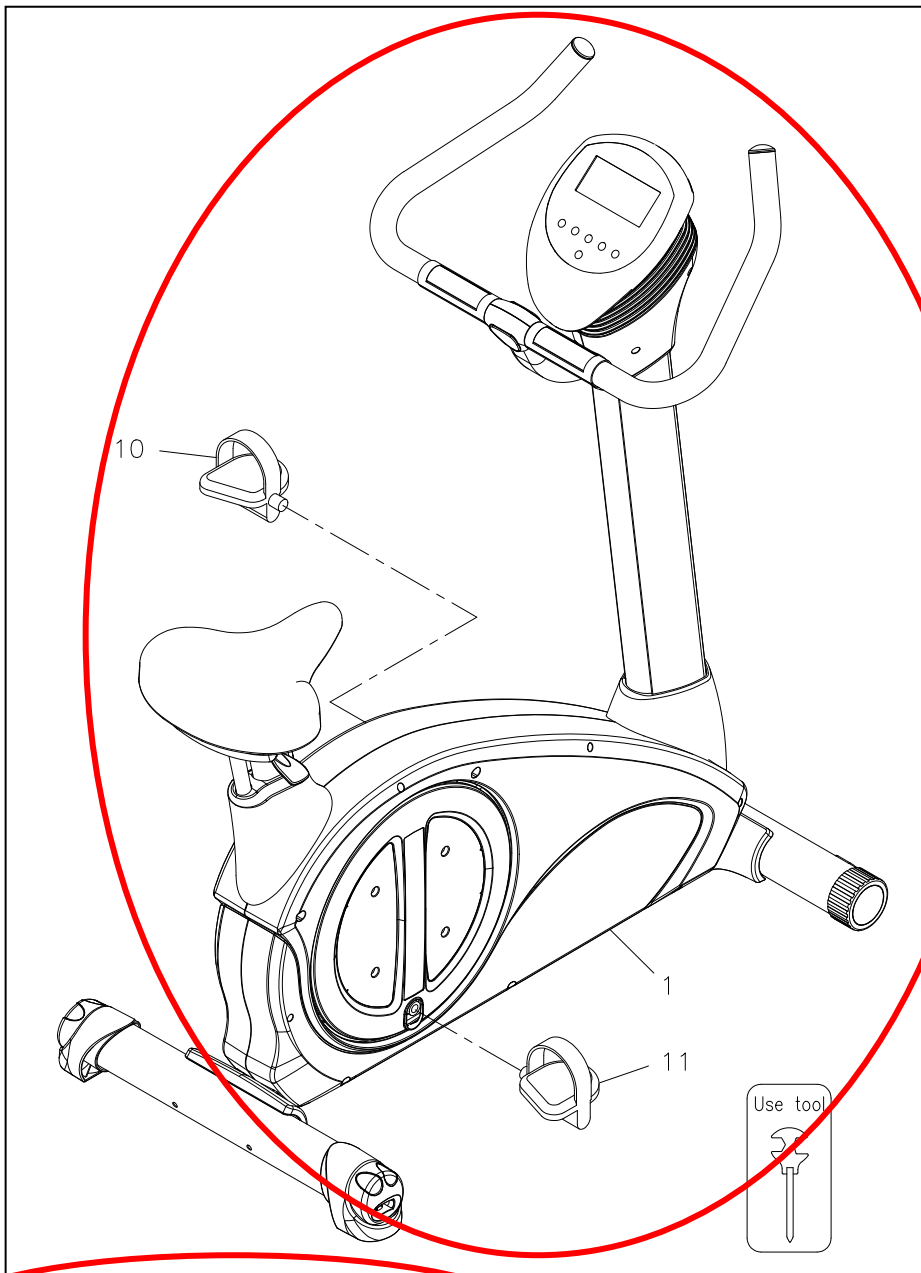


The lowest layer of the Console Bottom Cover

- b. Then secure the **Right Console Sleeve (35)** to the **Upright Post Assembly (5)** with two **Screws, Round Head (M5xp0.8x15mm)(73)**
- c. Repeat the above process on the left side to attach the **Left Console Sleeve (34)** to the left side of the **Upright Post Assembly (5)** **NOTE:** Make sure that the **Left Console Sleeve (34)** would cover the left side of the **Upright Post Assembly (5)**, lowest layer of the **Console Button Cover (33)** and the left side

of the **Front Handlebar (6)** as the illustrator shown on the left

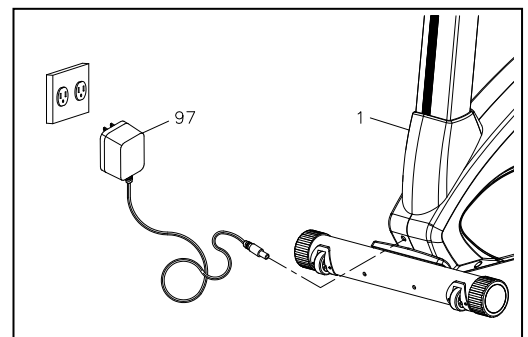
ASSEMBLE INSTRUCTIONS



STEP 6 – Pedal Assembly

- Thread the **Right Pedal (11)** into the right crank area of the **Main Frame (1)**. Firmly tighten the **Right Pedal (11)** **clockwise** into the right crank. **Tighten the Pedal as firmly as possible**
- Thread the **Left Pedal (10)** into the left crank area of the **Main Frame (1)**. Firmly tighten the **Left Pedal (10)** **counter-clockwise** into the left crank. **Tighten the Pedal as firmly as possible**
- Finish the assembly, make sure that all parts are tightened before you use the equipment

STEP 7 – AC Adaptor



- a. Connect the **Adaptor (97)** to the connector located on the back side of the **Main Frame (1)**
- b. Plug the **Adaptor (97)** into an electrical outlet to light up the console

OPERATION INSTRUCTIONS

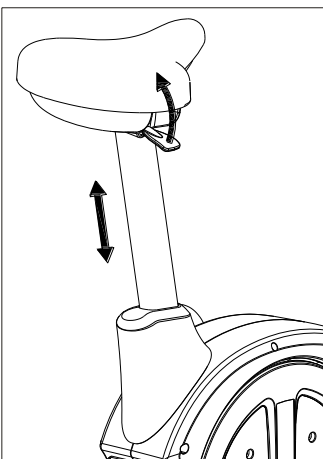
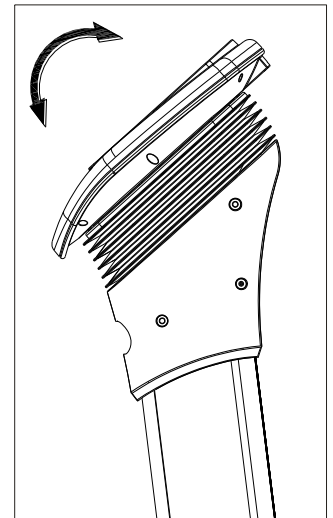
HOW TO ADJUST THE ADJUSTING ENDCAPS OF THE REAR STABILIZER

- a. After placing the equipment in the intended location for use, check the stability of the equipment
- b. If it's the one of the **Adjusting EndCaps (21)** on rear end of the **Rear Stabilizer (3)** causes a slight rocking motion. To level the equipment, turn one or both of the **Adjusting EndCaps (21)** in clockwise or counter-clockwise direction until the equipment sets on the floor without rocking



HOW TO ADJUST CONSOLE ANGLE

To get the best console angle, it's suggested to use both hands to hold the upper and lower end of the console and gently adjust the console angle to the proper position



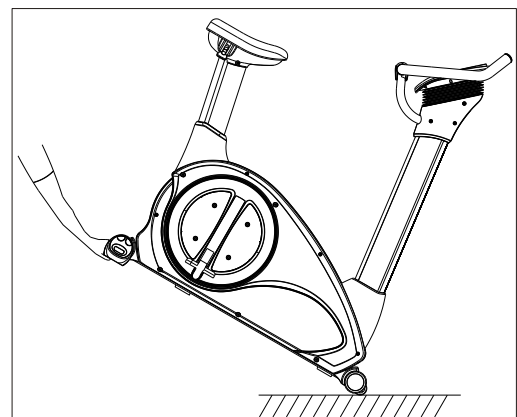
HOW TO ADJUST SEAT POST HIEGHT

- a. Pull the **Adjusting Handle (25)** up to adjust the seat height
- b. Once adjusting the seat to the proper position, release the **Adjusting Handle (25)** until hearing the "click" sound

HOW TO TOW THE ITEM SAFELY

Hold the **Rear Stabilizer (3)** up with two hands and tow the item to the desired place carefully

- ◆ Make sure the floor is level while towing the item



CONSOLE TROUBLE SHOOTING GUIDE

PROBLEM	POSSIBLE CAUSE	SOLUTION
E1	No speed signal	1) Review the Assembly Instructions and check that all the Computer Plugs and Sockets are FIRMLY and correctly connected.
		2) Review the Bike's Magnetic Resistance System to ensure that it is set correctly and it can freely be adjusted. A symptom of the previous problem is the Motor will struggle to adjust the resistance and will start making an abnormal sound. If this happens the Motor may already be damaged by some kind of interference. After freeing the interference the Motor will have to be checked that it still correctly.
		3) Motor Problems a. Symptoms include an unusually loud noise come from the Motor, which means Gears are Not meshing correctly. Try reversing the resistance and try again. b. If the Motor fails to move at all then please recheck as per Solution.
		4) Above. If this fails then Replace the Motor.
E2	The Computer cannot interface with the IC Chip.	Disconnect the Adaptor and/or remove the Batteries. Reconnect the Adaptor and/or the batteries. This will REBOOT the IC Chip and may help the Computer interface with the IC Chip.
		Remove and reinsert the IC Chip.
		If reinsertion fails then Replace the IC chip with a New IC chip.
E3	When analyzing body fat, the first 8 seconds has none heart detection, please check under.	Both hands have been firmly held on to handgrips. Confirm you have holding handgrip firmly.
E5	Auto-tension (Count) is not disconnect from zero point.	1) Review the Bike's Magnetic Resistance System to ensure that it is set correctly and thy be at it can freely be adjusted. A symptom of the previous problem is the Motor will struggle to adjust the resistance and will start making an abnormal sound. If this happens the Motor may already be damaged by some kind of interference. After freeing the interference the Motor will have to be checked that it still correctly.
		2) Motor Problems a. Symptoms include an unusually loud noise coming from the Motor, which means the Gears are NOT meshing correctly. Try reversing the resistance and try again. b. If the Motor fails to move at all then please recheck as per Solution.
		3) Above. If this fails then Replace the Motor.
No Hand Pulse Signal or incorrect Hand Pulse Signal	The Computer is NOT receiving a Pulse Signal.	Check that the Hand Pulse Plugs are FIRMLY inserted into the Sockets.
	The Computer is receiving a faint of Intermittent Pulse Signal.	1)The Hand Pulse Sensors will NOT operate correctly if your skin is extremely dry moisten your hands with a little water and try again.
		2) The Hand Pulse Sensors are designed to be held firmly, if you move your hands while exercising then the computer may receive an intermittent Pulse Signal. Avoid moving your hands while exercising and hold the Hand Pulse Sensors firmly while exercising. If you do move your hands while exercising give the Computer a few seconds to resample and display your correct Pulse Heart Rate.
		3) Clean the Hand Pulse Sensors to ensure a good contact between your body and the Pulse Sensors.
		4) Remove the Hand Pulse Sensors in order to check that the Spade Terminals are correctly attached.
		After completing all of the above Checks. If the problem still exists then please contact your dealer.
The Computer is faulty.	Replace the Computer by contacting your dealer.	

CONSOLE TROUBLE SHOOTING GUIDE

PROBLEM	POSSIBLE CAUSE	SOLUTION
The LCD Screen does NOT Display anything.	You have the wrong Adaptor or the wrong Batteries?	Check that the Batteries or the Adaptor Specifications coincide with Instruction Manual Specifications.
	The Mains Power switch is turned off?	Check that the Mains Power is switched on and is indeed supplying power.
	The Adaptor is not plugged in?	Check that the Adaptor is correctly connected to the Main Power Socket and is correctly connected to the Computer.
	The Batteries are missing? The Batteries are inserted the wrong way around?	Check to make sure there are Batteries installed. Check that the Batteries are inserted the correct way around and that they are in the correct series(i.e. -+)
	The Computer is faulty.	Replace the Computer by contacting your dealer.
The Speed Display Show O.	The Computer isn't receiving a signal from the Speed Sensor?	1) Check that the Sensor Magnet is correctly fitted and passes in front of the Sensor.
		2) Check the gap between Speed Sensor and the Magnet is correct 5mm or less.
		3) Check that all the Computer Plugs and Sockets are FIRMLY and correctly connected.
		4) Check that the Computer Wires are not damaged.
	The Sensor is faulty	If all these Checks fail, then replace the Sensor.
The Computer is faulty	Replace the Computer by contacting your dealer.	
The LCD Screen Partially Displays.	The connection between the Circuit Board and the LCD Screen Membrane is loose, gently press down on the LCD Screen, if the LCD Screen Partial Display disappears then it is a connection problem.	Check that the circuit Board is securely fastened to the Computer Case, retighten the Screw. Take care NOT to over tighten them as this may destroy the Circuit Board. Firm is good when you meet resistance STOP.
	The connection between the Circuit Board and the LCD Screen Membrane is Misaligned. If this is the problem you might be able to see that the LCD Screen is on a slight angle and NOT inline or parallel with the Computer Cases.	Open that Computer Case, remove the Circuit Board Screws, gently remove the Circuit Board, realign the LCD Screen and/or the Membrane, reassemble the LCD Screen and/or the Membrane taking care not to bump or knock the Membrane out of alignment before the Circuit Board Screws are tight. Reinsert the Circuit. Board Screws and tighten them taking care NOT to over tighten them as this may destroy the Circuit Board. Firm is good when you meet resistance STOP.
	The Computer is faulty	Replace the Computer by contacting your dealer.

CONDITIONING GUIDELINES

How you begin your exercise program depends on your physical condition. If you have been inactive for several years, or are severely overweight, you must slowly and increase your time on the 2 in 1 Elliptical / Stepper gradually: a few minutes per workout.

Initially, you may be able to exercise only for a few minutes in your target zone, however, your aerobic fitness will improve over the next six to eight weeks. Don't be discouraged if it takes longer. It's important to work at your own pace. Ultimately, you'll be able to exercise continuously for 30 minutes. The better your aerobic fitness, the harder you will have to work to stay in your target zone. Please remember these essentials:

- Have your doctor review your training and diet programs to advise you of a workout routine you should adopt.
- Begin your training program slowly with realistic goals that have been set by you and your doctor.
- Monitor your pulse frequently. Establish your target heart rate base on your age and condition.
- Set up your 2 in 1 Elliptical / Stepper a flat, even surface at least 3 feet from walls and furniture.

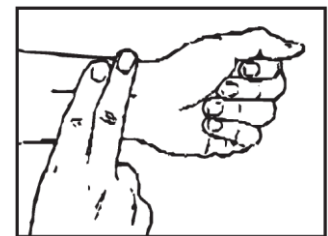
EXERCISE INTENSITY

To maximize the benefits of exercising, it is important to exercise with the proper intensity. The proper intensity level can be found by using your heart rate as a guide. For effective aerobic exercise, your heart rate should be maintained at a level between 70% and 85% of your maximum heart rate as you exercise. This is known as your target zone. You can find your target zone in the table below. Target zones are listed for both unconditioned and conditioned persons according to age.

Age	Target Heart Rate Zone (55% ~ 90% of Max. Heart Rate)	Average Max. Heart Rate 100%
20	110-180 beats per minute	200 beats per minute
25	107-175 beats per minute	195 beats per minute
30	105-171 beats per minute	190 beats per minute
35	102-166 beats per minute	185 beats per minute
40	99-162 beats per minute	180 beats per minute
45	97-157 beats per minute	175 beats per minute
50	94-153 beats per minute	170 beats per minute
55	91-148 beats per minute	165 beats per minute
60	88-144 beats per minute	160 beats per minute
65	85-139 beats per minute	155 beats per minute
70	83-135 beats per minute	150 beats per minute

During the first few months of your exercise program, keep your heart rate near the low end of your target zone as you exercise. After a few months, your heart rate can be increased gradually until it is near the middle of your target zone as you exercise.

To measure your heart rate manually, stop exercising but continue moving your legs or



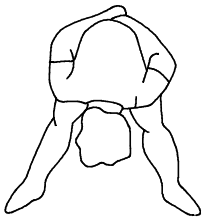
walking around and place two fingers on your wrist. Take a six-second heartbeat count and multiply the results by 10 to find your heart rate. For example, if your six-second heartbeat count is 14, your heart rate is 140 beats per minute. (A six-second count is used because your heart rate will drop rapidly when you stop exercising.) Adjust the intensity of your exercise until your heart rate is at the proper level.

WARM-UP AND COOL-DOWN

Warm-up The purpose of warming up is to prepare your body for exercise and to minimize injuries. Warm up for two to five minutes before strength-training or aerobic exercising. Perform activities that raise your heart rate and warm the working muscles. Activities may include brisk walking, jogging, jumping jacks, jump rope, and running in place.

Stretching Stretching while your muscles are warm after a proper warm-up and again after your strength or aerobic training session is very important. Muscles stretch more easily at these times because of their elevated temperature, which greatly reduces the risk of injury. Stretches should be held for 15 to 30 seconds. Do not bounce.

Suggested Stretching Exercises



Lower Body Stretch

Place feet shoulder-width apart and lean forward. Keep this position for 30 seconds using the body as a natural weight to stretch the backs of the legs.

DO NOT BOUNCE!

When the pull on the back of the legs lessen, try a lower position gradually.



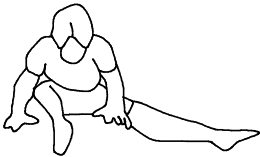
Floor Stretch

While sitting on the floor, open the legs as wide as possible. Stretch the upper body toward the knee on the right leg by using your arms to pull your chest to your thighs. Hold this stretch 10 to 30 seconds.

DO NOT BOUNCE!

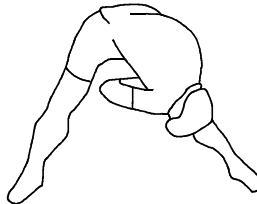
Do this stretch 10 times.

Repeat the stretch with the left leg.



Bent Torso Pulls

While sitting on the floor, have legs apart one leg straight and one knee bent. Pull the chest down to touch the thigh on the leg that is bent and twist at the waist. Hold this position at least 10 seconds. Repeat 10 times on each side.



Bent Over Leg Stretch

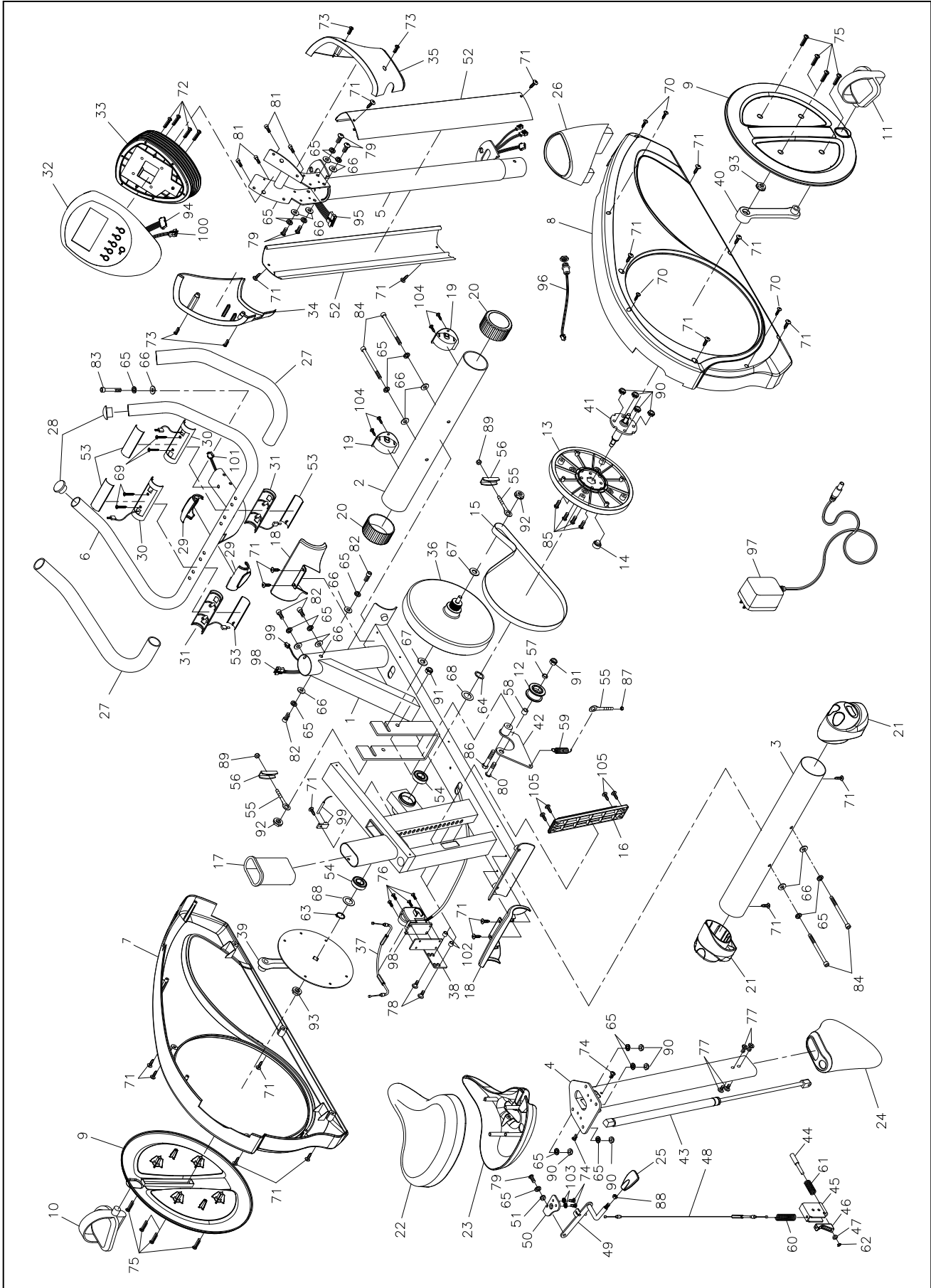
Stand with feet shoulder-width apart and lean forward as illustrated. Using the arms, gently pull the upper body towards the right leg. Let the head hang down. **DO NOT BOUNCE!** Hold the position a minimum of 10 seconds.

Repeat pulling the upper body to the left leg. Do this stretch several times slowly.

Remember always to check with your physician before starting any exercise program.

Cool-Down The purpose of cooling down is to return the body to its normal, or near normal, resting state at the end of each exercise session. A proper cool-down lowers your heart rate and allows blood to return to the heart. Your cool-down should include the stretches listed above and should be completed after each strength-training session.

PRODUCT PARTS DRAWING



PART LIST

NO.	Item Name	Q'TY
1	Main Frame	1
2	Front Stabilizer	1
3	Rear Stabilizer	1
4	Seat Post	1
5	Upright Post	1
6	Front Handlebar	1
7	Left Chain Cover	1
8	Right Chain Cover	1
9	Crank Cover (L&R)	2
10	Left Pedal	1
11	Right Pedal	1
12	Bearing (6300)	1
13	Pulley	1
14	Magnet	1
15	Belt	1
16	Pressure Bracket	1
17	Bushing for Seat Post	1
18	Tube Decoration Cover for Stabilizer (L&R)	2
19	Transportation Wheel (L&R)	2
20	Front Stabilizer EndCap	2
21	Adjusting Rear Stabilizer EndCap	2
22	Seat Cushion	1
23	Seat Bottom Cover	1
24	Seat Cap	1
25	Adjusting Handle	1
26	Upright Sleeve	1
27	Foam Grip (500mm)	2
28	Round Plug (31.8mm)	2
29	Decoration Cover for Handlebar	2
30	Hand Pulse Upper Cover (L&R)	2
31	Hand Pulse Bottom Cover (L&R)	2
32	Console Upper Cover	1

NO.	Item Name	Q'TY
33	Console Bottom Cover	1
34	Left Console Sleeve	1
35	Right Console Sleeve	1
36	Flywheel	1
37	Cable	1
38	Fixed Bracket for Motor	1
39	Left Crank	1
40	Right Crank	1
41	Axle for Crank	1
42	Fixed Bracket for Idler	1
43	Pneumatic Lifter	1
44	Axle for U-Shaped Bracket	1
45	U-Shaped Bracket	1
46	Slider	1
47	Curved Washer	1
48	Cable for Slider	1
49	Seat Adjustment Lever	1
50	Fixed Stand for Seat Adjustment Lever	1
51	Spacer for Seat Adjustment Lever	1
52	Upright Cover (L&R)	2
53	Pulse Sensor Plate	4
54	Bearing 6004zz	2
55	Eye Bolt	3
56	Tension Bracket	2
57	Bushing (10.2x14x2mm)	1
58	Bushing (10.2x14x10mm)	1
59	Idler Spring	1
60	Spring for Cable	1
61	Spring for U-Shaped Bracket	1
62	E Ring	1
63	C Ring	1
64	Wave Washer	1

PART LIST

NO.	Item Name	Q'TY
65	Lock Washer (M8)	18
66	Washer (8x16x2.0t)	13
67	Washer (10x23x2.0t)	2
68	Washer (21x30x1.0t)	2
69	Self-Tapping Screw, Round Head (M3x25mm)	4
70	Self-Tapping Screw, Flat Head (M4x16mm)	4
71	Self-Tapping Screw, Flat Head (M5x18mm)	21
72	Screw, Pan Head (M5xp0.8x25mm)	4
73	Screw, Round Head (M5xp0.8x15mm)	4
74	Bolt, Round Head (M6xp1.0x10mm)	4
75	Bolt, Round Head (M6xp1.0x25mm)	8
76	Screw, Flat Head (M5xp0.8x12mm)	4
77	Bolt, Pan Head (M8xp1.25x10mm)	4
78	Bolt, Pan Head (M8xp1.25x20mm)	2
79	Bolt, Button Head (M8xp1.25x16mm)	5
80	Bolt, Button Head (M8xp1.5x35mm)	1
81	Bolt, Socket Head (M6xp1.0x15mm)	4
82	Bolt, Socket Head (M8xp1.25x16mm)	4

NO.	Item Name	Q'TY
83	Bolt, Socket Head (M8xp1.25x45mm)	1
84	Bolt, Socket Head (M8xp1.25x90mm)	4
85	Bolt, Hex Head (M8xp1.25x16mm)	4
86	Bolt, Hex Head (M10xp1.5x50mm)	1
87	Nut (M6)	1
88	Nut (M8)	1
89	Nylock Nut (M6)	2
90	Thin Nylock Nut (M8)	8
91	Nylock Nut (M10)	2
92	Flange Nut (M10)	2
93	Flange Nut – Black Color (M10)	2
94	Front Connection Wire	1
95	Rear Connection Wire	1
96	Adaptor Connection Wire	1
97	Adaptor	1
98	Motor w/ Wire	1
99	Sensor Wire w/Stand	1
100	Front Pulse Sensor Wire	1
101	Rear Pulse Sensor Wire	1
102	Spacer (8x12x12mm)	2
103	Lock Washer (M6)	2
104	Self-Tapping Screw, Button Head (M4x16mm)	4
105	Screw, Pan Head (M5x10mm)	4

