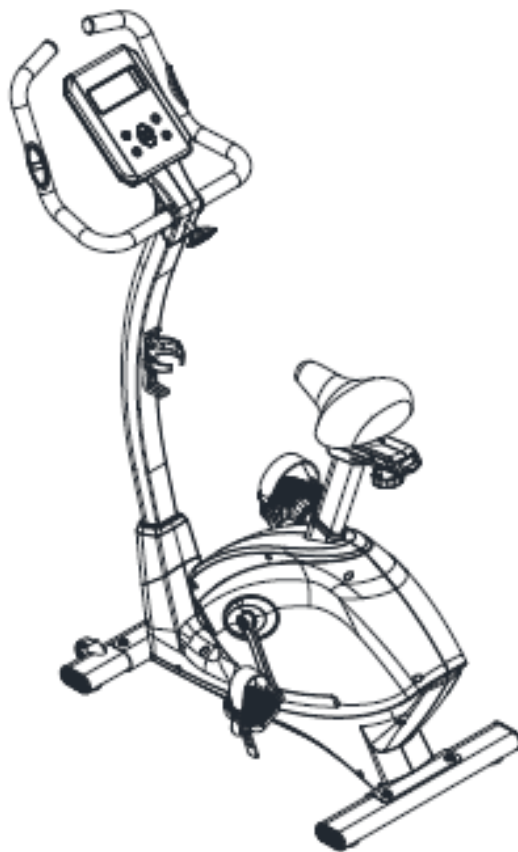




USER MANUAL – EN

IN 13901 Elliptical Trainer inSPORTline Soledat



CONTENTS

- SAFETY PRECAUTIONS..... 3
- SAFETY NOTICE 3
- EXPLODED DRAWING..... 5
- PARTS LIST 6
- PRODUCT DESCRIPTION 7
- SPECIFICATION 8
- SCREW BAG..... 8
- HARDWARE LIST 9
- ASSEMBLY INSTRUCTIONS 9
- HALF EXPLODED DRAWING AND PARTS LIST 13
- EXERCISE RECOMMENDATIONS 14
 - STRETCHING EXERCISES 15
- COMPUTER OPERATIONS 16
 - DISPLAY FUNCTIONS..... 16
 - BUTTON FUNCTIONS 16
- OPERATION..... 17
 - POWER ON 17
 - MANUAL SETTING MODE..... 17
 - APPLICATION TRAINING MODE 18
 - USER PROGRAM TRAINING MODE 18
 - HEART RATE CONTROL TRAINING MODE 18
 - WATT CONTROL TRAINING MODE 19
 - HEART RATE RECOVERY STATUS TEST 19
 - BODY FAT MODE 19
- TERMS AND CONDITIONS OF WARRANTY, WARRANTY CLAIMS..... 20

SAFETY PRECAUTIONS

WARNING: This device has been designed and constructed to provide maximum safety. Nevertheless, certain precautions should be taken when using exercise equipment. Read the whole manual carefully before assembling and using the elliptical trainer. The following safety precautions should also be observed:

1. It is the responsibility of the owner to ensure that all users of this device are adequately informed of all precautions. Use the elliptical trainers only as described in this manual.
2. Keep children and pets away from this equipment at all times. Do not leave them near this device without supervision of any adult.
3. Inspect and assemble all parts regularly. Replace worn parts immediately.
4. Place this device on a level surface, with at least 0.6 m of clearance on each side of elliptical trainer. To protect the floor or carpet from damage, place a mat under the elliptical trainer.
5. Use it only indoors, away from moisture and dust. Maintain the using place ventilation. Do not use it in the airless place.
6. Don't put any sharp things around the elliptical trainer. No adjustable part should protrude to obstruct movements of the user.
7. Wear appropriate clothes while exercising; do not wear loose clothes that could become caught on this device. Always wear athletic shoes for foot protection while exercising.
8. **Max. weight limit: 120 kg.** If you are over this limit, don't use it.
9. Do not put your hands on the moving parts to prevent injuries.
10. Keep your speed under control and pay attention.
11. If you find your device works abnormal, do not use it immediately.
12. No more than one person should operate the elliptical trainer at one time.
13. If you feel pain or dizziness while exercising, stop exercising immediately and consult it with a medicine doctor.
14. Stride length: 165 mm. Weigh of the flywheel: 6 kg.
15. **Category: HC** (according to EN957 norm) suitable for home using.
16. **WARNING!** The heart rate frequency monitoring may not be completely accurate. Overexertion during training can lead to a serious injury or even death. If you start to feel faint, stop the exercise immediately.

SAFETY NOTICE

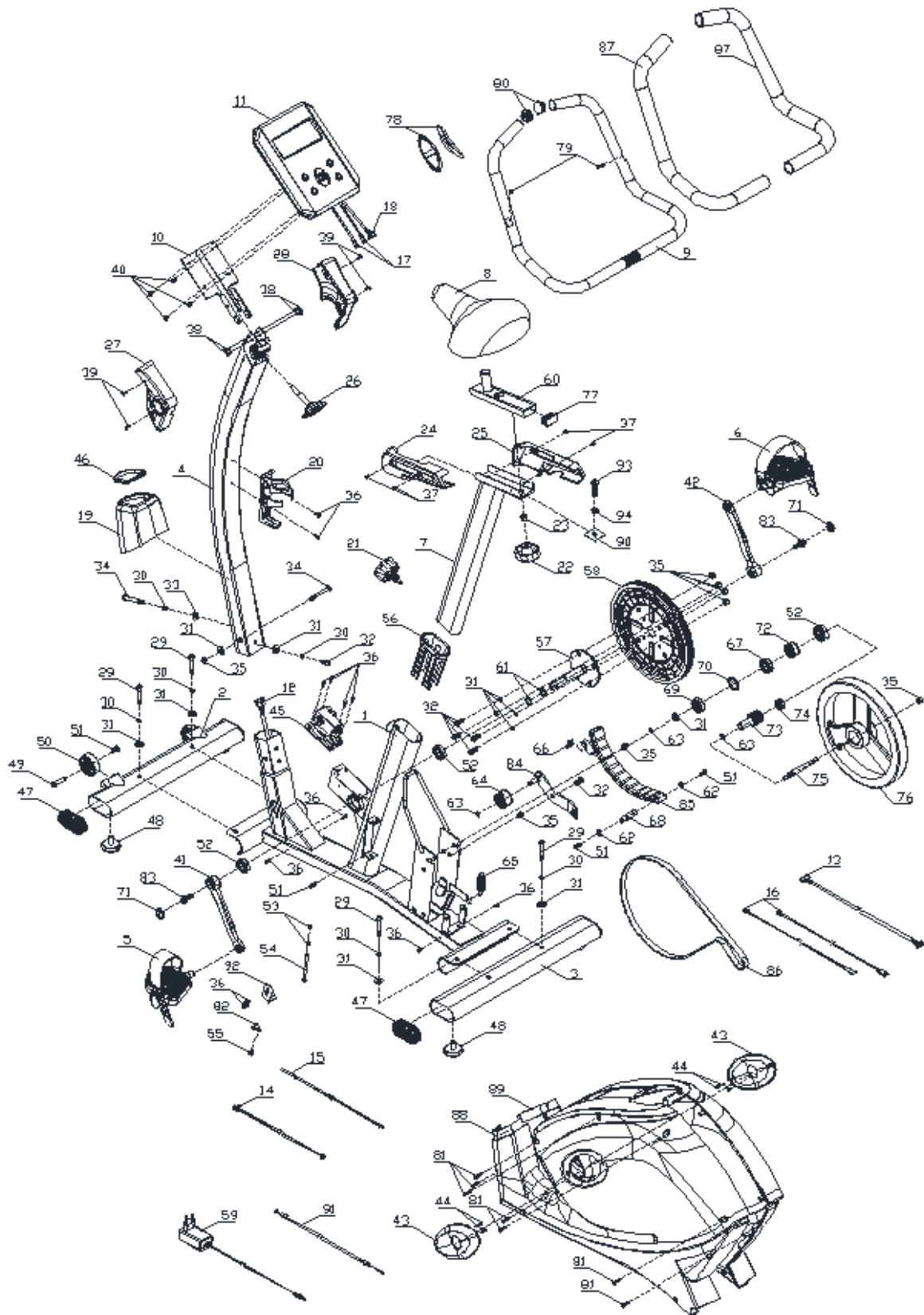
Ask your physician for advice before every exercising. Exercising has to improve your body condition. Incorrect exercising can cause an injury. Don't use this device if you have below mentioned problems or diseases.

- Problems with waist or legs (pain, wound, paralysis).
- Anamorphosis, arthritis, rheumatism and gout.
- Osteoporosis and other abnormality.
- Perfuntory system obstacles (heart disease, blood obstacle, hypertension).
- Breath obstacle.
- Sarcoma or other oncological disease.
- Thrombus or other symptoms.
- Diabetes or obstacle caused by diabetes.
- Skin disease.

- Hyperpyrexia caused by sick (38 °C or over 38 °C).
- Abnormal back bone or back bone bending.
- Pregnant women or women during period.
- Physical abnormality.
- Worsened body condition.

WARNING: Before beginning any exercise program, consult your physician. This is especially important for persons older than 35 years or persons with pre-existing health problems. To reduce the risk of serious injury, read all important precautions and instructions in this manual and all warnings on your elliptical trainer before using and keep it for future reference.

EXPLODED DRAWING

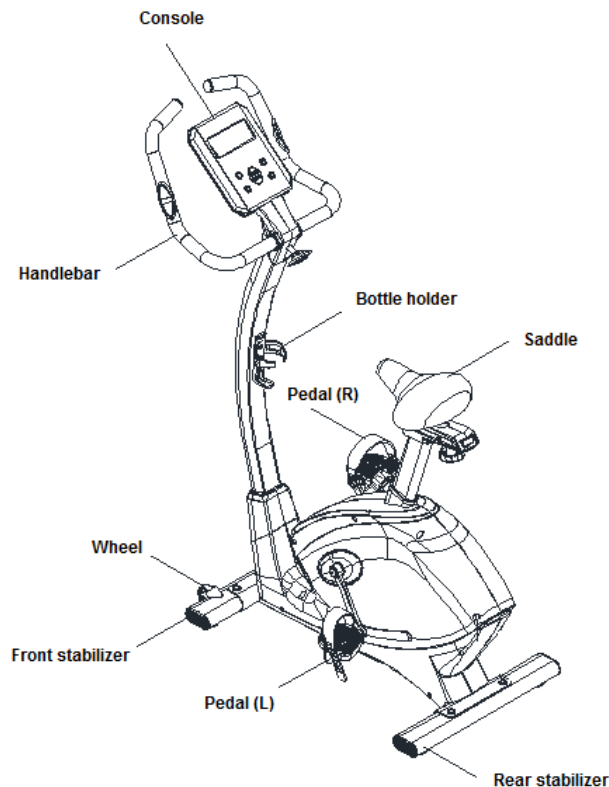


PARTS LIST

No.	Name	Specification	Qty	No.	Name	Specification	Qty
1	Main frame		1	47	End cap		4
2	Front stabilizer		1	48	Feet pad	Φ47×10.5×M10×20	4
3	Rear stabilizer		1	49	Hex nut	Φ8x33xM6x15	2
4	Upright post		1	50	Wheels	Φ55x25.8	2
5	Pedal (left)		1	51	Allen C.K.S. full thread screw	M6x15	5
6	Pedal (right)		1	52	Deep groove ball bearing	6203-2RS	3
7	Saddle post		1	53	Hex nut	M5	2
8	Saddle		1	54	Allen C.K.S. full thread screw	M5x80	1
9	Handlebars		1	55	Philips C.K.S. self-tapping screw	ST4x12	1
10	Console fixed piece		1	56	Saddle post bushing		1
11	Console		1	57	Crank axle	Φ17x154.3	1
12	Magnetic sensor wire		1	58	Belt pulley	Φ263x19	1
13	Console communication wire		1	59	Power adapter		1
14	Power communication wire		1	60	Saddle adjustment		1
15	Magnetic sensor wire		1	61	Circlip shaft	Φ17	2
16	Handle pulse connection wire		2	62	Circlip shaft	Φ12	2
17	Console outset		2	63	Circlip shaft	Φ10	3
18	Console connection wire		1	64	Tension pulley	Φ38x22	1
19	Upright post cover		1	65	Tension spring		1
20	Bottle holder		1	66	Brake tension spring		1
21	Rotary hand bolt	Φ56×M16×P1.5	1	67	Deep groove ball bearing	6003-2RS	1
22	Handlebar rotary knob		1	68	Magnetic control fixed axle	Φ12x50	1
23	Bushing	Φ10.5×Φ14×10	1	69	Deep groove ball bearing	6003-2RS	1
24	Saddle cover (left)		1	70	Flat washer	Φ34×Φ25×t1.0	1
25	Saddle cover (right)		1	71	Crank cover		2
26	T-shaped rotary knob	M8x30	1	72	Unidirectional needle bearing	Φ35×Φ17×16	1
27	Handlebar cover (left)		1	73	Small belt pulley set	Φ30x64	1
28	Handlebar cover (right)		1	74	Deep groove ball bearing	6000-2RS	1
29	Allen C.K.S. half thread screw	M8x50x20	4	75	Flywheel axle	Φ10x109.5	1
30	Spring washer	Φ8	7	76	Flywheel	Φ208/6 kg	1
31	Flat washer	Φ8.5×Φ20×t1.5	8	77	Square end cap	20x40xt1.5	1

32	Allen C.K.S. full thread screw	M8x20	7	78	Handle pulse set		2
33	Curved washer	Φ8.5×R25×t2.0	2	79	Philips C.K.S. self-tapping screw	ST4x20	2
34	Allen C.K.S. half thread screw	M8x65x20	3	80	Round end cap	Φ25xt1.5	2
35	Hex self-locking nut	M8	9	81	Philips C.K.S. self-tapping screw	ST4x25	7
36	Philips C.K.S. self-tapping screw	ST4x16	12	82	Fixed magnet set		1
37	Philips pan head full thread screw	M4x6	4	83	Allen C.K.S. full thread screw	5/16-18UNC-1"	2
38	Philips pan head full thread screw	M5x10	4	84	Tension pulley		1
39	Philips pan head full thread screw	M4x10	4	85	Magnetic control fixed axle		1
40	Philips pan head full thread screw	M5x10	4	86	Motor belt	440PJ6	1
41	Crank (left)		1	87	Foam grip	Φ22xt3.0x680	2
42	Crank (right)		1	88	Motor cover (left)		1
43	Crank cover		2	89	Motor cover (right)		1
44	Philips C.K.S. self-tapping screw	ST4x12	4	90	Saddle locking piece		1
45	Magnetic motor		1	91	Brake wire		1
46	Upright post decoration strip		1	92	Sensor wire fixed piece		1

PRODUCT DESCRIPTION














SPECIFICATION

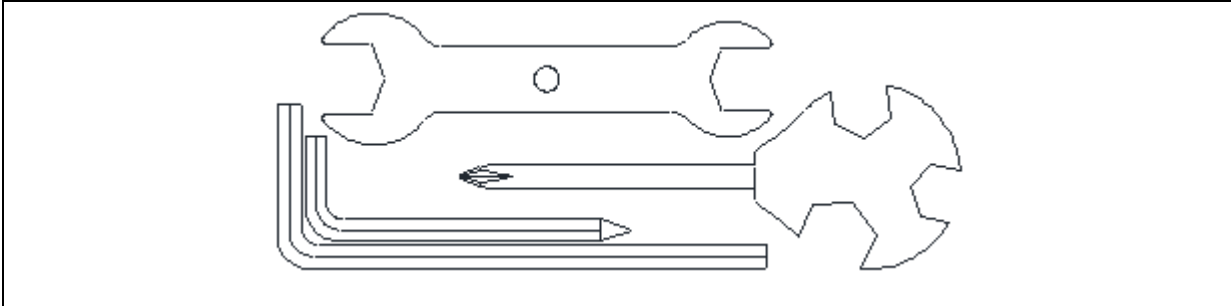
Model No.	B51
Dimensions	Folded: 1100x530x1400 mm
Max. upload	120 kg
Number of resistance levels	32
Flywheel	Single way, Φ 280/6 kg
UP and DOWN	6 levels, 152.4 distance
FRONT and BACK	70 mm distance

NOTICE: We amend the right to amend the product without prior notice.

SCREW BAG

Picture	No.	Name	Specification	Qty
	29	Allen C.K.S. half thread screw	M8x50x20	4
	30	Spring washer	Φ 8	7
	31	Flat washer	Φ 8.5x Φ 20xt1.5	7
	32	Allen C.K.S. full thread screw	M8x20	2
	33	Curved washer	Φ 8.5xR25xt2.0	2
	34	Allen C.K.S. half thread screw	M8x65x20	3
	35	Hex self-locking nut	M8	2
	36	Philips C.K.S. self-tapping screw	ST4x16	2
	37	Philips pan head full thread screw	M4x6	4
	38	Philips pan head full thread screw	M5x10	4
	39	Philips pan head full thread screw	M4x10	4

HARDWARE LIST



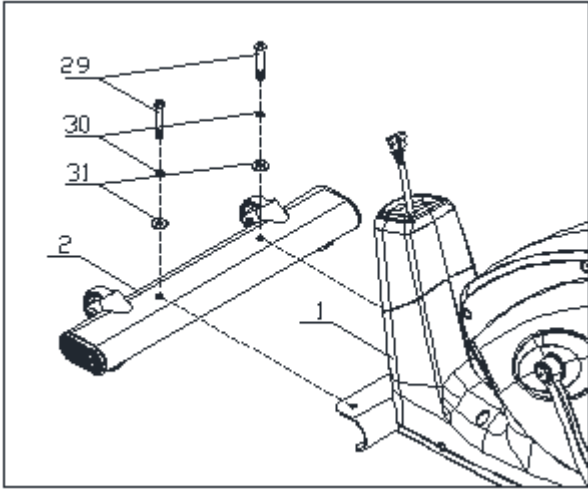
Name	Spec.	Qty
L-shape wrench	5x35x80S	1
L-shape wrench	6x40x120	1
Wrench	15#&17#	1
Wrench		1

ASSEMBLY INSTRUCTIONS

To assemble this device correctly follow steps below.

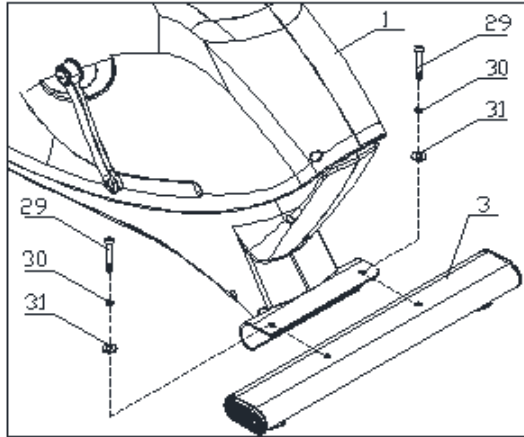
Step 1

Attach the front stabilizer (2) to the main frame (1) and fix them. Use the flat washers (31), spring washers (30) and the Allen C.K.S. half thread screws (29).



Step 2

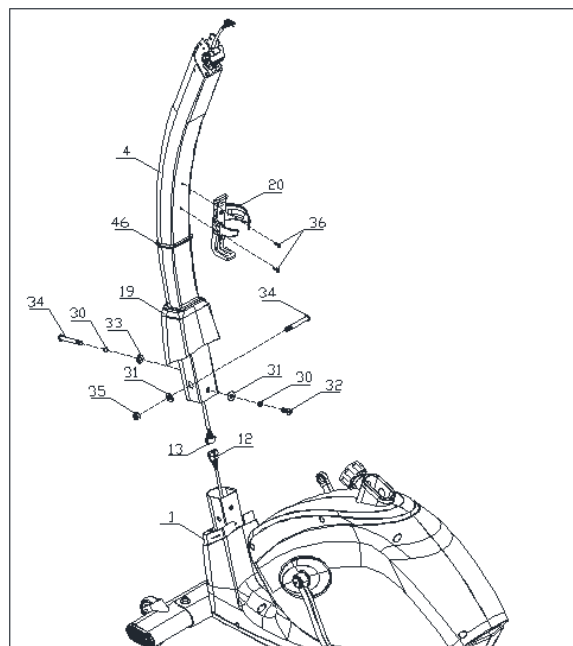
Attach the rear stabilizer (3) to the main frame (1) and fix them. Use the flat washers (31), spring washers (30) and the Allen C.K.S. half thread screws (29).



Step 3

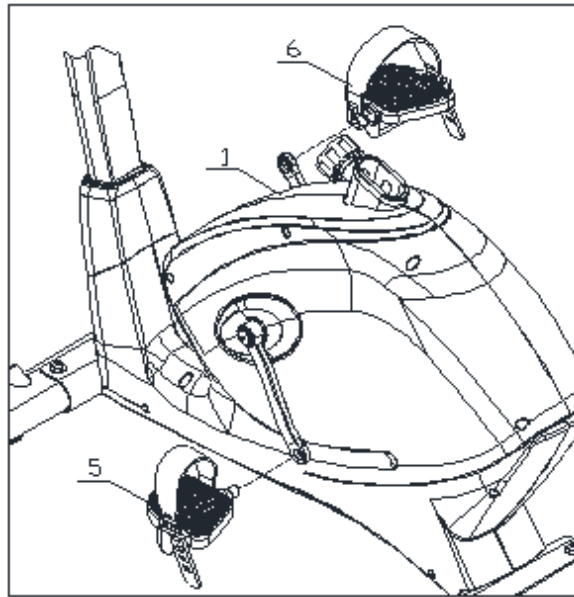
- Attach the upright post decoration strip (46) to the upper upright post (4). Take the upright post cover (19) out of the main frame (1) and cover it on the upper upright post (4).
- Connect motor communication wire (12) and console communication wire (13) as shown in the picture.
- Attach the upper upright post (4) to the main frame (1) and fix them. Use the curved washer (33), spring washer (30), Allen C.K.S. half thread screw (34), flat washer (31), spring washer (30), Allen C.K.S. full thread screw (32), flat washer (31), Allen C.K.S. half thread screw (34), hex self-locking nut (35), curved washer (33), spring washer (30), Allen C.K.S. full thread screw (32).
- Put the upright post cover (19) and the upright post decoration strip (46) into the main frame (1).
- Attach the bottle holder (20) to the upper post (4) and fasten it with the Philips pan head full thread screw (36).

NOTICE: Put the communication wires and the resistance adjustment knob wire into the upright post. Make sure that all the screws are in the hexagonal hole before you will tighten them.



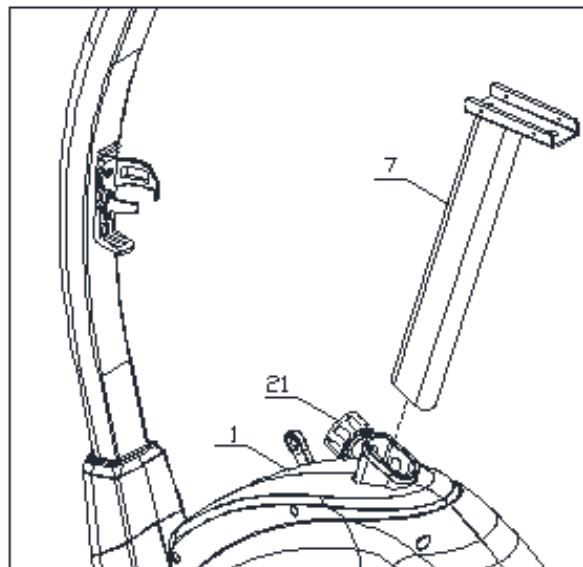
Step 4

Attach the left pedal (5) and the right pedal (6) to the main frame (1). Tighten the bolts.



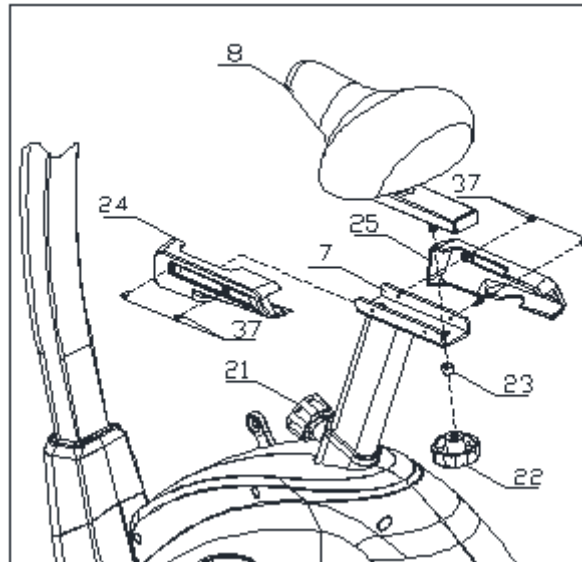
Step 5

Loosen the rotary hand bolt (21) and put the saddle post (7) into the main frame (1). Thereafter tighten the rotary hand bolt (21) again.



Step 6

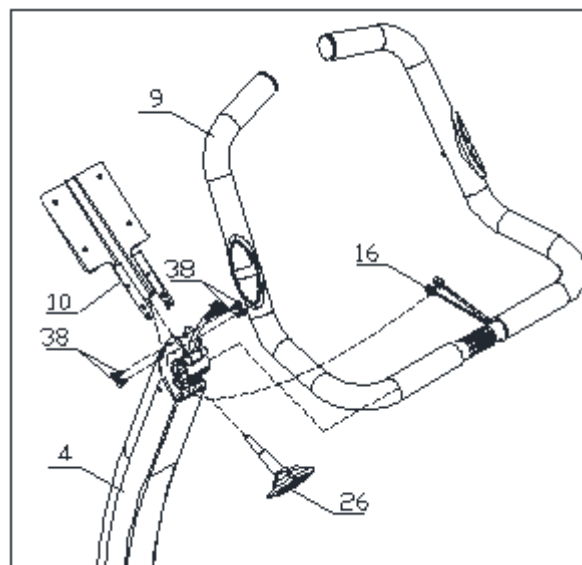
- Put the saddle (8) onto the saddle post (7) and tighten them with the handlebar rotary knob (22) and bushing (23). ATTENTION: Do not lock it.
- Adjust the saddle to the correct position. Attach the left saddle cover (24) and the right saddle cover (25) to the saddle post (7). Use the Philips pan head full thread screw (37) to tighten them.
- Lock the handlebar rotary knob (22).



Step 7

- Stick the pulse connection wire (16) through the upright post (4) and attach the handlebars (9) to the upright post (4). Tighten it with the T-shaped rotary knob (26).
- Attach the console fixed piece (10) to the upright post (4) and tighten them with the Philips C.K.S. pan head full thread screw (38).

NOTICE: Make sure that all the screws are in the hexagonal hole before you will tighten them.

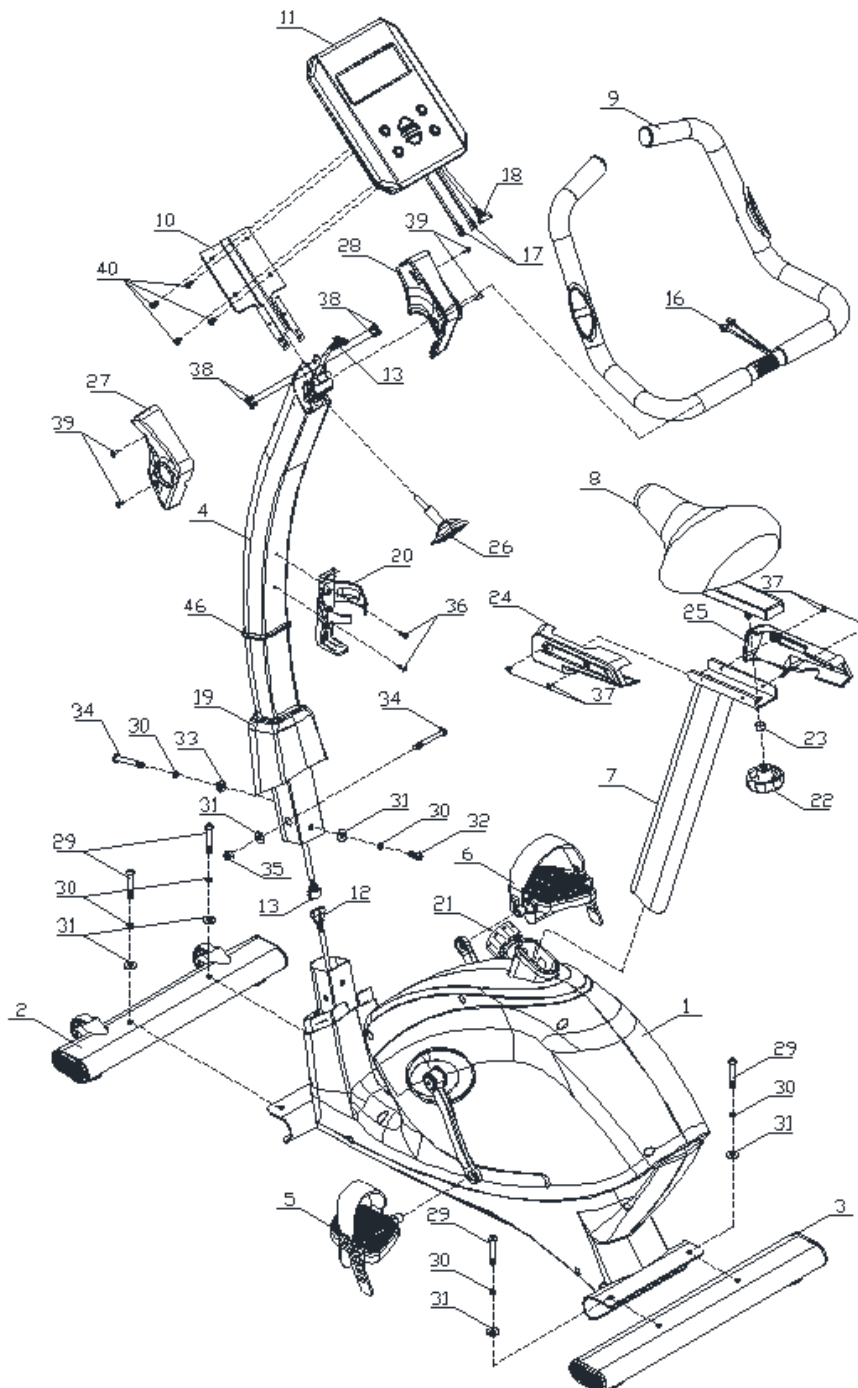


Step 8

- Connect the console communication wire (13) and the console connection wire (18). Connect the handle pulse connection wire (16) and the console outset (17).
- Attach the console (11) to the console fixed piece (10) and tighten these parts with the Philips pan head full thread screw (40).
- Attach the left handlebar cover (27) and the right handlebar cover (28) through the handlebars (9) to the upright post (4) and tighten them with the Philips pan head full thread screw (39).

NOTICE: Make sure that all the screws are in the hexagonal hole before you will tighten them.

HALF EXPLODED DRAWING AND PARTS LIST



No.	Name	Specification	Qty	No.	Name	Specification	Qty
1	Main frame		1	23	Bushing	Φ10.5xΦ14x10	1
2	Front stabilizer		1	24	Left saddle cover		1
3	Rear stabilizer		1	25	Right saddle cover		1
4	Upright post		1	26	T-shaped rotary knob	M8x30	1
5	Pedal (left)		1	27	Left handlebar cover		1
6	Pedal (right)		1	28	Right handlebar cover		1
7	Saddle post		1	29	Allen C.K.S. half thread screw	M8x50x20	4
8	Saddle		1	30	Spring washer	Φ8	7
9	Handlebars		1	31	Flat washer	Φ8.5xΦ20xt1.5	7
10	Console fixed piece		1	32	Allen C.K.S. full thread screw	M8x20	2
11	Console fixed piece		1	33	Curved washer	Φ8.5xR25xt2.0	2
12	Magnetic sensor wire		1	34	Allen C.K.S: half thread screw	M8x65x20	3
13	Console communication wire		1	35	Hex self-locking nut	M8	2
16	Handle pulse connection wire		2	36	Philips C.K.S. self-tapping screw	ST4x16	2
17	Console outset		2	37	Philips pan head full thread screw	M4x6	4
18	Console connection wire		1	38	Philips pan head full thread screw	M5x10	4
19	Upright post cover		1	39	Philips pan head full thread screw	M4x10	4
20	Bottle holder		1	40	Philips pan head full thread screw	M5x10	4
21	Rotary hand bolt	Φ56xM16xP1.5	1	46	Upright post decoration strip		1
22	Handlebar rotary knob		1				

EXERCISE RECOMMENDATIONS

WARM-UP

Take a warm-up phase before each exercising (approx. 5 – 10 mins.).

BREATH

Do not hold your breath while exercising. Sniff with your nose and breath out with your month when you take relaxation exercises. Coordinate your body activities with your breathing together. If you breath too quickly, stop exercising.

FREQUENCY

Do not train the same muscles every day. Have a two-day break.

BODY LOAD

Train step by step and don't forget, that the physical training is very individual. The muscle soreness is normal during the first period. It will get better with time.

RELAXATION EXERCISES



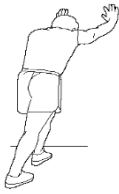


Do relaxation exercises after each exercising (approx. 5 mins.). Relaxation exercises of leg muscles help to avoid overstretching and to increase the elasticity of your muscles.

DIET

Don't exercise within 1 hour of having a meal or half an hour before eating to protect the digestive system. Don't drink a lot of water during exercises. Don't burden your heart and kidneys.

STRETCHING EXERCISES

Take stretching exercises before each exercising independently of the distance you want to go. Warmed muscles are better for stretching. Walk for 5 – 10 mins. to warm up yourself and then take the stretching exercises as shown in these pictures. Do it 5 times, each leg for 10 seconds or more. Repeat it after the training finish.

	<p>Stretching downwards</p> <p>Bend your knees slightly. Bend your body forward slowly to relax your back and shoulders. Try to touch your toes. Keep for 10 – 15 seconds and relax. Repeat 3 times</p>
	<p>Hamstring stretching</p> <p>Sit down on a clean surface. Keep one leg straight and the other one inward. Try to touch your toes with your hands. Keep for 10 – 15 seconds. Repeat 3 times for each leg.</p>
	<p>Leg and Achilles tendon stretching</p> <p>Put your hands on a wall or a tree. Step with one foot back and lean on the wall (tree). Keep the heel of this foot off the ground. Keep for 10 – 15 seconds and relax. Repeat 3 times for each foot.</p>
	<p>Quadriceps stretching</p> <p>Keep balance with your left hand on a wall or a desk. Stretch your right hand backwards and seize your right ankle. Pull it slowly towards your hips until you feel your thigh muscles are tense. Keep for 10 – 15 seconds and relax. Repeat 3 times for each leg.</p>
	<p>Sartorius stretching</p> <p>Sit down with your knees outward and with your soles facing each other. Grasp your feet and pull them toward your groin. Keep for 10 – 15 seconds and relax. Repeat 3 times.</p>

COMPUTER OPERATIONS

DISPLAY FUNCTIONS

ITEM	DESCRIPTION
TIME	Displays the time numerical value during exercising in the range: 0:00 ~ 99:59.
SPEED	Displays the speed numerical value during exercising in the range: 0.0 ~ 99.9.
DISTANCE	Displays the distance numerical value during exercising in the range: 0.0 ~ 99.9.
CALORIES	Displays the burned calories during exercising in the range: 0 ~ 999.
PULSE	Displays the pulse numerical value during exercising. If the value is over the pre-set target pulse you will hear a sound alarm.
RPM	Rotation per min. Range: 0 ~ 999.
WATTS	Displays the consumed power rate during exercising in the range: 0 ~ 350.
MANUAL	Manual Setting Mode
PROGRAM	Application Mode (12 programs for your choice).
USER	User exercising mode. User can set the resistance graphics.
H.R.C.	Target heart rate training mode.
WATT	Watt control training mode.

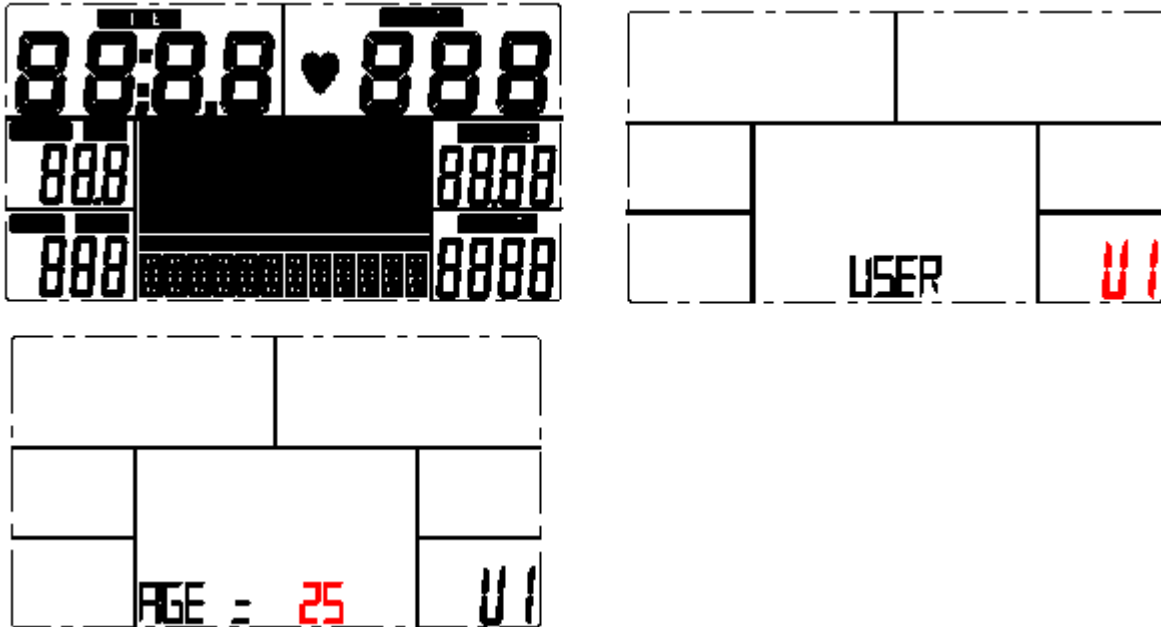
BUTTON FUNCTIONS

ITEM	DESCRIPTION
RESET	Press this button for 2 seconds and the computer will reboot and start from the user setting. Press this button to return to the main menu (in the stop mode) or if you are in the value setting mode.
BODY FAT	Test your Body Mass Index (BMI).
UP	Select the training mode and increase the numerical value.
RECOVERY	Test the heart rate recovery status.
DOWN	Select the training mode and decrease the numerical value.
MODE	Confirm the setting value or your choice.
START/STOP	Start or stop working.

OPERATION

POWER ON

Plug it in. The speed meter and LCD display will boot for 2 seconds. It shows the wheel diameter value. Then enter the user setting mode (set U1 ~ U4 – group, age, gender, height, body weight). If this device has not any pedal activity or any heartbeat signal for 4 minutes, it will enter automatically into the power saving mode. Press any key to wake up the speed meter.



MANUAL SETTING MODE

Under the main screen, press “START/STOP” button. It will enter the manual setting mode directly.

1. Press “UP” or “DOWN” to select sports program. Select “MANUAL” and press “MODE” button to enter.
2. Press button to set following values: TIME, DISTANCE, CALORIES, PULSE. Then press “MODE” to confirm them.
3. Press “START/STOP” button to start.
4. During exercising press “UP” or “DOWN” to increase or decrease the values (1 to 32).
5. Press “START/STOP” button again to suspend movement. Press “RESET” button to return to the main display.



APPLICATION TRAINING MODE

1. Press "UP" or "DOWN" button to select the exercising program. Select the "PROGRAM" and press "MODE" button to enter. Choose P01 – P12 graphics and confirm with "MODE" button.
2. Press "UP" or "DOWN" button to set the time numerical value.
3. Press "START/STOP" button to start.
4. Press "UP" or "DOWN" button to set the resistance values (1 to 32) during exercising.
5. Press "START/STOP" button again to suspend movement. Press "RESET" button to return back to the main display.



USER PROGRAM TRAINING MODE

1. Press "UP" or "DOWN" button to select exercising program. Select the "USER PROGRAM" and press "MODE" button to enter.
2. Press "UP" or "DOWN" button to set the resistance values of each field. Press "MODE" button to enter the next set (you need to set 20 fields in total).
3. Press "MODE" button for 2 seconds to complete it or to exit.
4. Press "UP" or "DOWN" button to set the time value.
5. Press "START/STOP" button to start.
6. Press "START/STOP" button again to suspend movement. Press "RESET" button to return back to the main display.
7. Press "UP" or "DOWN" button to set the resistance values (1 to 32).

HEART RATE CONTROL TRAINING MODE

1. Press "UP" or "DOWN" button to select exercising program. Select "H.R.C." and press "MODE" button to enter.
2. Press "UP" or "DOWN" button to select H.R.C. - 55%, 75%, 90% or "H.R.C. AG (H.R.)". Default: 100.
3. Press "UP" or "DOWN" button to set the time value.
4. Press "START/STOP" button to start or stop the setting. Press "RESET" button to return to the main display.
5. If there is no heartbeat signal during exercising, the speed meter will stop and alarm to remind.



WATT CONTROL TRAINING MODE

1. Press “UP” or “DOWN” button to select the exercising program. Select “WATT” and press “MODE” button to enter.
2. Press “UP” or “DOWN” button to set the target WATT value (default value: 120). Press “MODE” button to confirm it.
3. Press “UP” or “DOWN” button to set the time value during exercising.
4. Press “START/STOP” button to start or stop moving. Press “RESET” button to return back to the main screen.
5. User can press “UP” or “DOWN” button to adjust the WATT value during exercising.

HEART RATE RECOVERY STATUS TEST

1. After a period of exercising time hold the hand grip and press “RECOVERY” button to start a test.
2. All display functions will stop except the TIME. It starts counting down from 00:60 to 00:00.
3. The LCD will display the heart rate recovery status by F1, F2...F6. F1 is the best status and F6 the worst. The press “RECOVERY” button to return to the main display.
4. During the test, press “RECOVERY” button again. The console will return back to the previous display.

1.0	Best
1.0<F<2.0	Better
2.0<F<2.9	Good
3.0<F<3.9	Normal
4.0<F<5.9	Worse
6.0	Worst

BODY FAT MODE

1. User can press “BODY FAT” button for body fat testing when the device does not work. Hold the handgrip tightly.
2. The LCD will display “-----“. Thereafter it will display body percentage, body mass index, obesity symbols (in 8 seconds).
3. It will show some other symbols in following situations:
 “E-1” – shows, that user doesn’t put his thumb on the right position of the handgrip.
 “E-4” – shows that the body fat percentage and body mass index are beyond the range of the system setting.

After the test, press “BODY FAT” button to return to the former setting and continue to exercise.

B.M.I.:

B.M.I.	Low	Low/Mid	Mid	Mid/High
Range	<20	20 - 24	24.1 – 26.5	>26.5

BODY FAT:

Symbol	-	+	▲	◆
Body fat percentage	Low	Low/Mid	Mid	Mid/High
Male (sex)	<13%	13% - 25.9%	26% - 30%	>30%
Female (sex)	<23%	23% - 35.9%	36% - 40%	>40%

- This speed meter requires the use of 9V, 500 mA or 9V, 1000 mA transformer.
- The speed meter will enter the power saving mode in 4 minutes after stop of moving. All the settings and exercise values will be saved until next time.
- If the speed meter doesn't display normally, pull out the transformer and insert it again.

TERMS AND CONDITIONS OF WARRANTY, WARRANTY CLAIMS**General Conditions of Warranty and Definition of Terms**

All Warranty Conditions stated hereunder determine Warranty Coverage and Warranty Claim Procedure. Conditions of Warranty and Warranty Claims are governed by Act No. 40/1964 Coll. Civil Code, Act No. 513/1991 Coll., Commercial Code, and Act No. 634/1992 Coll., Consumer Protection Act, as amended, also in cases that are not specified by these Warranty rules.

The seller is SEVEN SPORT s.r.o. with its registered office in Borivojova Street 35/878, Prague 13000, Company Registration Number: 26847264, registered in the Trade Register at Regional Court in Prague, Section C, Insert No. 116888.

According to valid legal regulations it depends whether the Buyer is the End Customer or not.

"The Buyer who is the End Customer" or simply the "End Customer" is the legal entity that does not conclude and execute the Contract in order to run or promote his own trade or business activities.

"The Buyer who is not the End Customer" is a Businessman that buys Goods or uses services for the purpose of using the Goods or services for his own business activities. The Buyer conforms to the General Purchase Agreement and business conditions to the extent specified in the Commercial Code.

These Conditions of Warranty and Warranty Claims are an integral part of every Purchase Agreement made between the Seller and the Buyer. All Warranty Conditions are valid and binding, unless otherwise specified in the Purchase Agreement, in the Amendment to this Contract or in another written agreement.

Warranty Conditions**Warranty Period**

The Seller provides the Buyer a 24 months Warranty for Goods Quality, unless otherwise specified in the Certificate of Warranty, Invoice, Bill of Delivery or other documents related to the Goods. The legal warranty period provided to the Consumer is not affected.

By the Warranty for Goods Quality, the Seller guarantees that the delivered Goods shall be, for a certain period of time, suitable for regular or contracted use, and that the Goods shall maintain its regular or contracted features.

The Warranty does not cover defects resulting from (if applicable):

- User's fault, i.e. product damage caused by unqualified repair work, improper assembly, insufficient insertion of seat post into frame, insufficient tightening of pedals and cranks

- Improper maintenance
- Mechanical damages
- Regular use (e.g. wearing out of rubber and plastic parts, moving mechanisms, joints etc.)
- Unavoidable event, natural disaster
- Adjustments made by unqualified person
- Improper maintenance, improper placement, damages caused by low or high temperature, water, inappropriate pressure, shocks, intentional changes in design or construction etc.

Warranty Claim Procedure

The Buyer is obliged to check the Goods delivered by the Seller immediately after taking the responsibility for the Goods and its damages, i.e. immediately after its delivery. The Buyer must check the Goods so that he discovers all the defects that can be discovered by such check.

When making a Warranty Claim the Buyer is obliged, on request of the Seller, to prove the purchase and validity of the claim by the Invoice or Bill of Delivery that includes the product's serial number, or eventually by the documents without the serial number. If the Buyer does not prove the validity of the Warranty Claim by these documents, the Seller has the right to reject the Warranty Claim.

If the Buyer gives notice of a defect that is not covered by the Warranty (e.g. in the case that the Warranty Conditions were not fulfilled or in the case of reporting the defect by mistake etc.), the Seller is eligible to require a compensation for all the costs arising from the repair. The cost shall be calculated according to the valid price list of services and transport costs.

If the Seller finds out (by testing) that the product is not damaged, the Warranty Claim is not accepted. The Seller reserves the right to claim a compensation for costs arising from the false Warranty Claim.

In case the Buyer makes a claim about the Goods that is legally covered by the Warranty provided by the Seller, the Seller shall fix the reported defects by means of repair or by the exchange of the damaged part or product for a new one. Based on the agreement of the Buyer, the Seller has the right to exchange the defected Goods for a fully compatible Goods of the same or better technical characteristics. The Seller is entitled to choose the form of the Warranty Claim Procedures described in this paragraph.

The Seller shall settle the Warranty Claim within 30 days after the delivery of the defective Goods, unless a longer period has been agreed upon. The day when the repaired or exchanged Goods is handed over to the Buyer is considered to be the day of the Warranty Claim settlement. When the Seller is not able to settle the Warranty Claim within the agreed period due to the specific nature of the Goods defect, he and the Buyer shall make an agreement about an alternative solution. In case such agreement is not made, the Seller is obliged to provide the Buyer with a financial compensation in the form of a refund.



SEVEN SPORT s.r.o.

Registered Office:	Borivojova 35/878, 130 00 Praha 3, Czech Republic
Headquarters:	Delnicka 957, 749 01 Vitkov, Czech Republic
Warranty & Service Centre:	Cermenska 486, 749 01 Vitkov, Czech Republic
CRN:	26847264
VAT ID:	CZ26847264
Phone:	+420 556 300 970
E-mail:	eshop@insportline.cz reklamace@insportline.cz servis@insportline.cz
Web:	www.insportline.cz

INSPORTLINE s.r.o.

Headquarters, Warranty & Service centre: Elektrická 6471, 911 01 Trenčín, Slovakia

CRN: 36311723

VAT ID: SK2020177082

Phone: +421(0)326 526 701

E-mail: objednavky@insportline.sk

reklamacie@insportline.sk

servis@insportline.sk

Web: www.insportline.sk

Date of Sale:

Stamp and Signature of Seller: