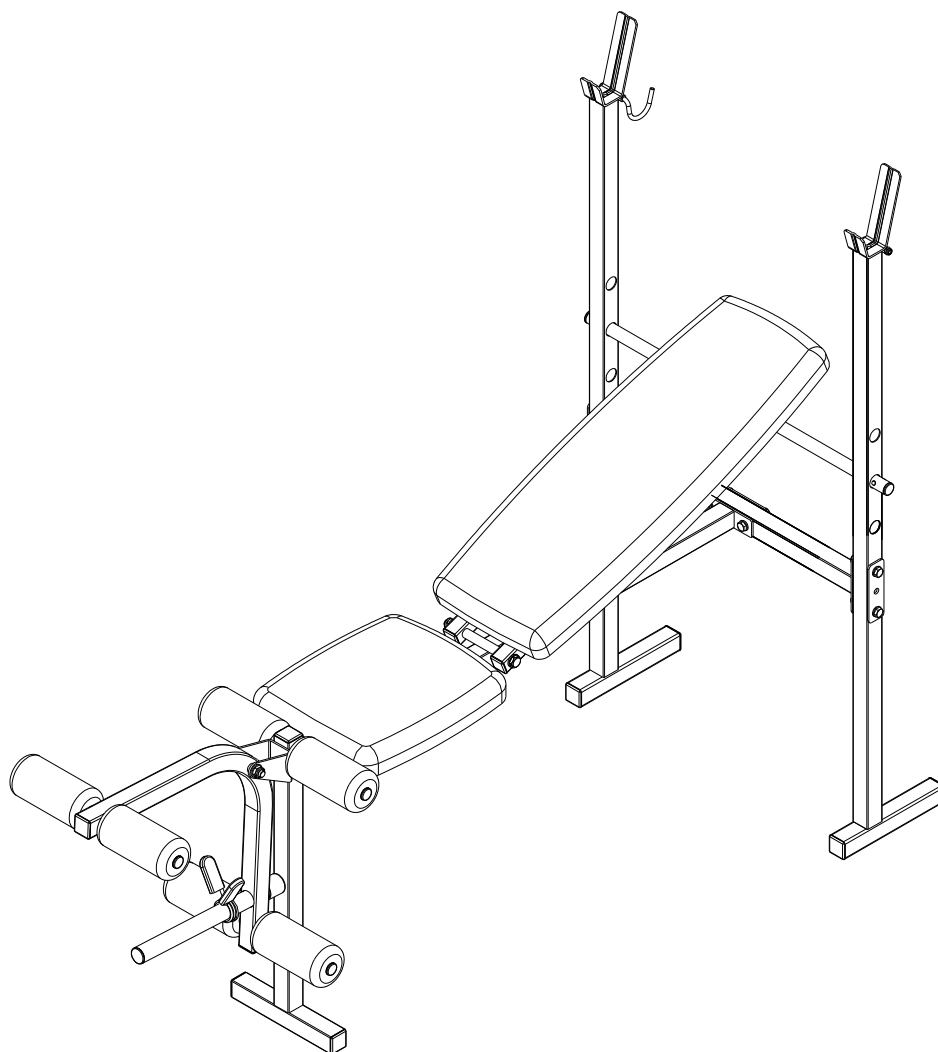


BUTTERFLY BENCH AND WEIGHT SET

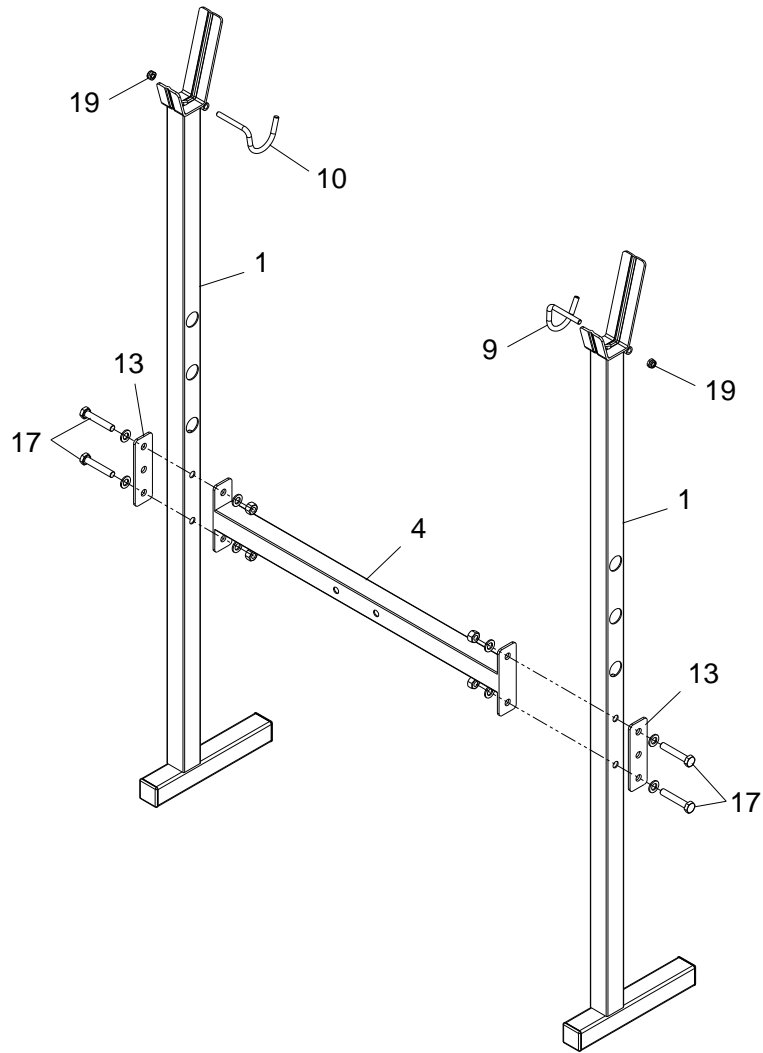
15-320 (BH1034YA)



ASSEMBLY INSTRUCTIONS

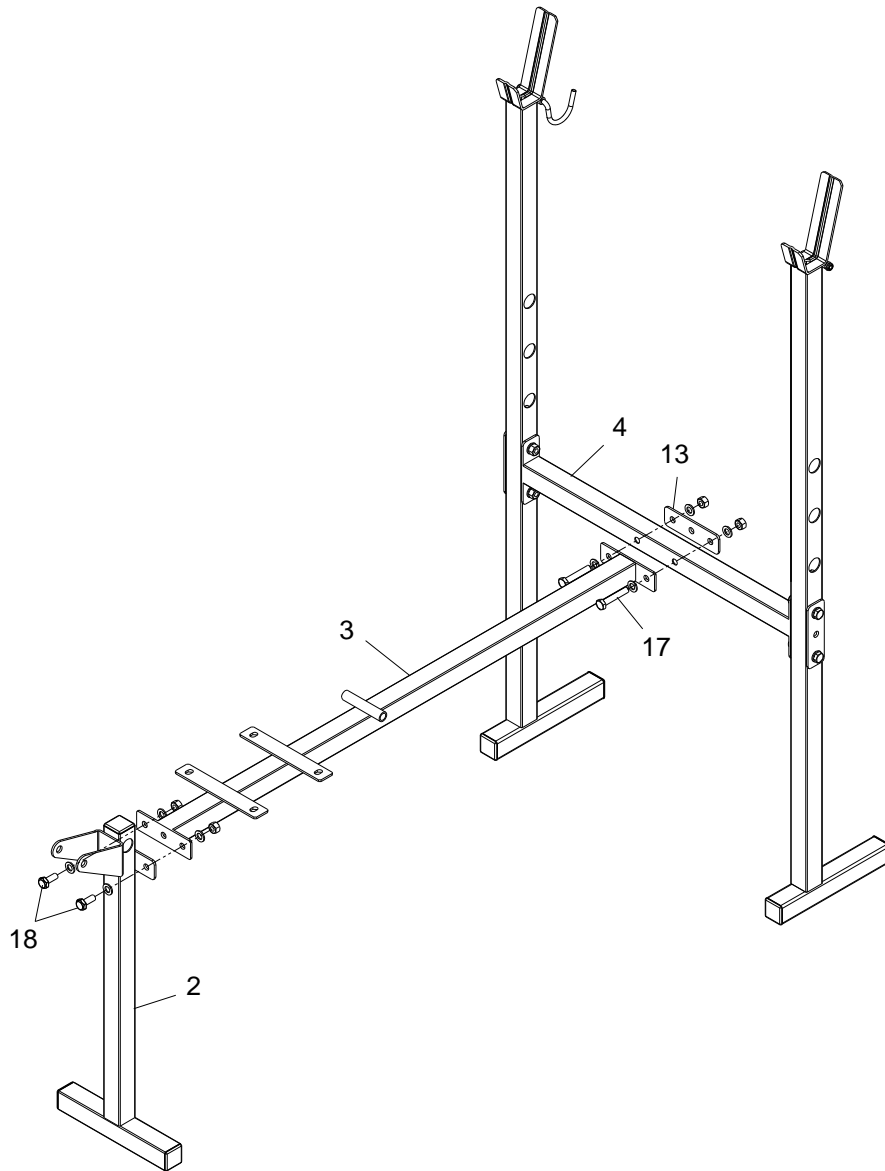
| NUMBER | DESCRIPTION | QUANTITY |
|---------------|--|-----------------|
| 1 | UPRIGHT FRAME | 1 |
| 2 | FRONT FRAME | 1 |
| 3 | MAIN FRAME | 1 |
| 4 | CROSS BEAM | 1 |
| 5 | ADJUSTABLE ROD | 1 |
| 6 | LEG EXTENSION BEAM | 1 |
| 7 | BACK CUSHION SUPPORT | 2 |
| 8 | FOAM TUBE | 3 |
| 9 | RIGHT SAFE SUPPORT | 1 |
| 10 | LEFT SAFE SUPPORT | 1 |
| 11 | SPRING CLIP | 1 |
| 12 | FOAM ROLLER | 6 |
| 13 | JOINT PLATE | 3 |
| 14 | SEAT CUSHION | 1 |
| 15 | BACK CUSHION | 1 |
| 16 | RUBBER | 1 |
| 17 | BOLT M8*50 + TWO WASHERS 8 + LOCK NUT M8 | 6 |
| 18 | BOLT M8*20 + TWO WASHERS 8 + LOCK NUT M8 | 2 |
| 19 | LOCK NUT M6 | 2 |
| 20 | BOLT M10*65 + TWO WASHERS 10 + LOCK NUT M10 | 1 |
| 21 | BOLT M10*135 + TWO WASHERS 10 + LOCK NUT M10 | 1 |
| 22 | BOLT M6*40 + TWO WASHERS 6 | 4 |
| 23 | BOLT M6*16 + WASHER 6 | 4 |

STEP 01



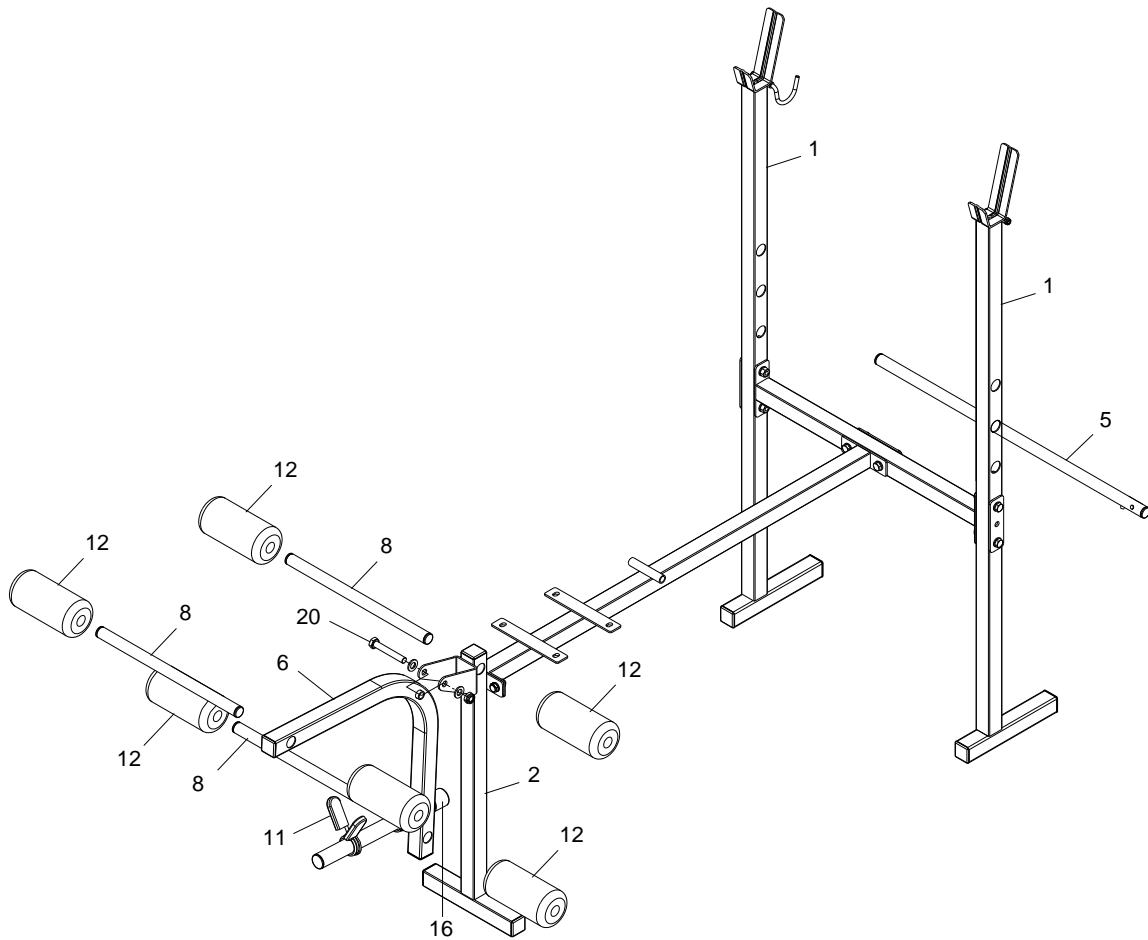
- 1、 Attach part (4) and part (13) to parts (1) with four bolt assemblies (17).
- 2、 Attach part (9&10) to parts (1) with lock nut (19).

STEP 02



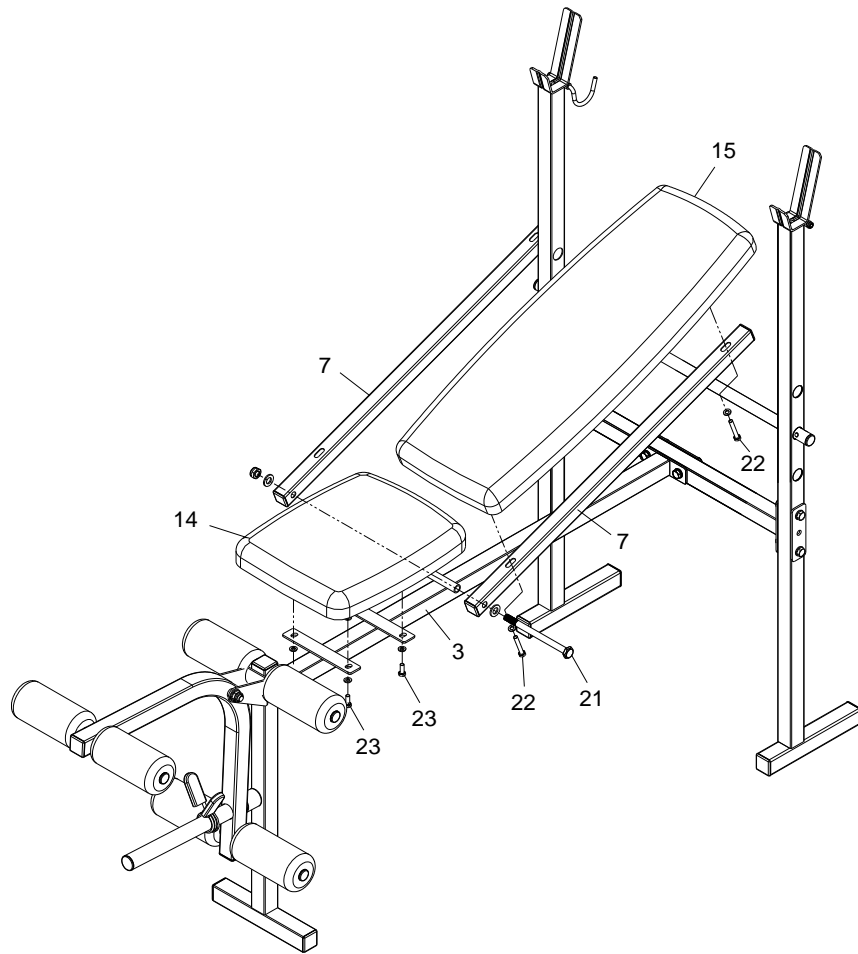
1. Attach part (3) and part (13) to part (4) with two bolt assemblies (17).
2. Attach part (2) to part (3) with two bolt assemblies (18).

STEP 03



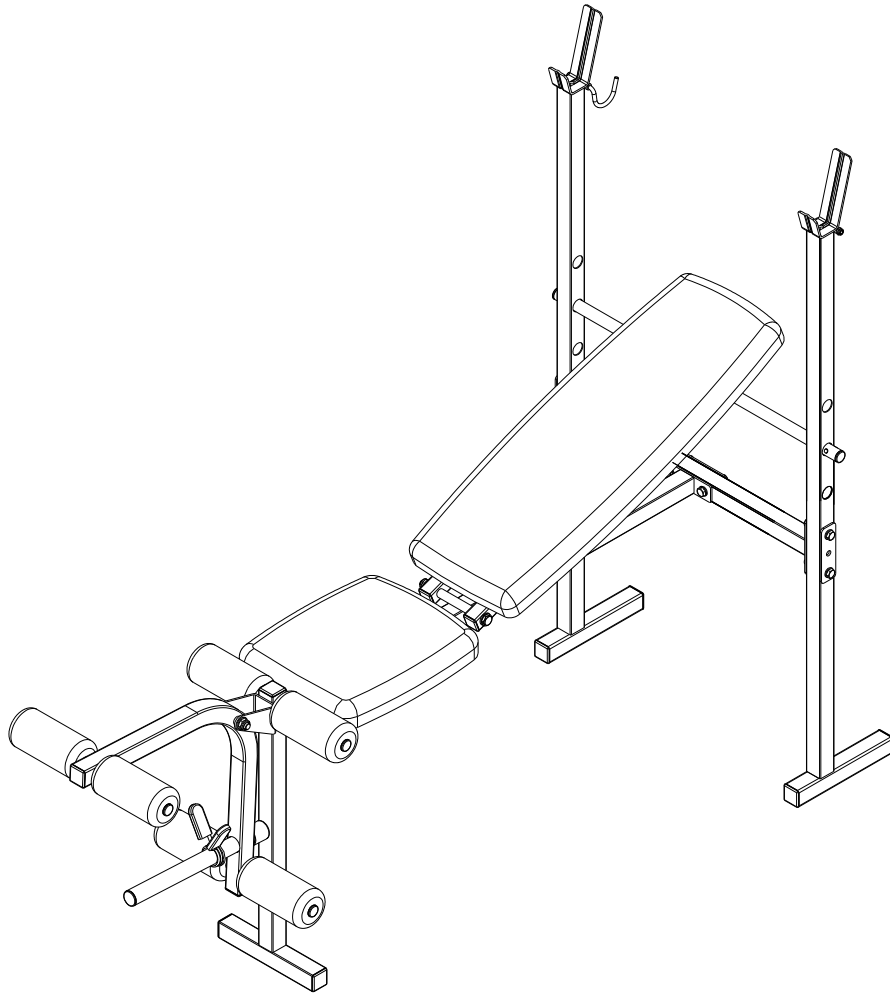
- 1、 Attach part (5) to parts (1).
- 2、 Attach part (6) to part (2) with bolt assembly (20).
- 3、 Attach part (8) to part (2) and part (6); attach two parts (12) to each part (8).
- 4、 Attach part (11) to part (6).

STEP 04



- 1、 Attach two parts (7) to part (3) with bolt assembly (21).
- 2、 Attach part (14) to part (3) with four bolt assemblies (23).
- 3、 Attach part (15) to parts (7) with four bolt assemblies (22).

STEP 05



1、 Completely assembled.